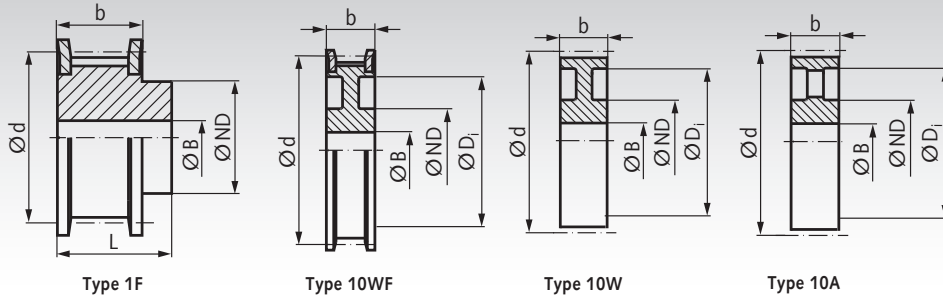


HTD Pulleys Profile 8M



Material: Up to a Teeth Number of 72 phosphated steel, from a Teeth Number of 80 phosphated grey cast iron GG25.

These HTD pulleys are manufactured pitch-true with special cutters. This leads to a precise meshing of teeth.

Ordering Details: e.g.: Product No. 174 411 00, Pulleys, Pitch 8 mm, 22 Teeth, Timing Belt Width 50 mm

Profile 8M, Timing Belt Width 50 mm

Product No. Belt Width 50mm	Number of teeth	Type	Outside Ø			ND mm	b mm	L mm	Di mm	Pilot Bore B mm	Weight kg
			Pulley mm	Flange mm	d mm						
174 411 00	22	1F	54,65	60,0	56,02	43	60	70	-	12	1,10
174 412 00	24	1F	59,74	66,0	61,12	45	60	70	-	12	1,30
174 412 50	25	1F	62,29	66,0	63,66	45	60	70	-	12	1,20
174 413 00	26	1F	64,84	71,0	66,21	48	60	70	-	12	1,60
174 414 00	28	1F	70,08	75,0	71,30	50	60	70	-	14	1,70
174 415 00	30	1F	75,12	83,0	76,39	55	60	70	-	14	2,00
174 416 00	32	1F	80,17	87,0	81,49	60	60	70	-	14	2,35
174 417 00	34	1F	85,21	91,0	86,58	66	60	70	-	14	2,80
174 418 00	36	1F	90,30	98,5	91,67	70	60	70	-	14	3,15
174 419 00	38	1F	95,39	103,0	96,77	75	60	70	-	14	3,30
174 420 00	40	1F	100,49	106,0	101,86	75	60	70	-	14	3,60
174 422 00	44	1F	110,67	119,0	112,05	75	60	70	-	14	4,40
174 424 00	48	1F	120,86	127,0	122,23	75	60	70	-	14	5,00
174 428 00	56	10WF	141,23	148,0	142,60	80	60	-	116	18	5,68
174 432 00	64	10WF	161,60	168,0	162,97	80	60	-	137	18	6,93
174 436 00	72	10WF	181,97	192,0	183,35	80	60	-	158	18	7,95
174 440 00	80	10W	202,35	-	203,72	110	60	-	180	18	6,90
174 445 00	90	10A	227,81	-	229,81	110	60	-	204	18	-
174 456 00	112	10A	283,83	-	285,21	110	60	-	254	18	-

Profile 8M, Timing Belt Width 85 mm

Product No. Belt Width 85mm	Number of teeth	Type	Outside Ø			ND mm	b mm	L mm	Di mm	Pilot Bore B mm	Weight kg
			Pulley mm	Flange mm	d mm						
174 511 00	22	1F	54,65	60,0	56,02	43	95	105	-	12	1,55
174 512 00	24	1F	59,74	66,0	61,12	45	95	105	-	12	1,90
174 512 50	25	1F	62,29	66,0	63,66	45	95	105	-	12	1,80
174 513 00	26	1F	64,84	71,0	66,21	48	95	105	-	12	2,25
174 514 00	28	1F	70,08	75,0	71,30	50	95	105	-	15	2,55
174 515 00	30	1F	75,12	83,0	76,39	55	95	105	-	15	3,00
174 516 00	32	1F	80,17	87,0	81,49	60	95	105	-	15	3,57
174 517 00	34	1F	85,21	91,0	86,58	66	95	105	-	15	4,00
174 518 00	36	1F	90,30	98,5	91,67	70	95	105	-	15	4,50
174 519 00	38	1F	95,39	103,0	96,77	75	95	105	-	15	5,00
174 520 00	40	1F	100,49	106,0	101,86	75	95	105	-	18	5,20
174 522 00	44	1F	110,67	119,0	112,05	75	95	105	-	18	6,60
174 524 00	48	1F	120,86	127,0	122,23	80	95	105	-	18	7,00
174 528 00	56	1F	141,23	148,0	142,60	90	95	105	-	18	10,00
174 532 00	64	10WF	161,60	168,0	162,97	100	95	-	137	20	10,40
174 536 00	72	10WF	181,97	192,0	183,35	100	95	-	158	20	11,40
174 540 00	80	10W	202,35	-	203,72	110	95	-	180	20	11,10
174 545 00	90	10A	227,81	-	229,81	110	95	-	204	20	12,20
174 556 00	112	10A	283,83	-	285,21	110	95	-	254	24	15,00
174 572 00	144	10A	365,32	-	366,69	110	95	-	336	24	21,50
174 584 00	168	10A	426,44	-	427,81	120	95	-	400	24	24,10
174 596 00	192	10A	487,55	-	488,92	130	95	-	460	24	30,60