

## Spur Gears Made From Plastic with Steel Core, Milled, Straight Teeth

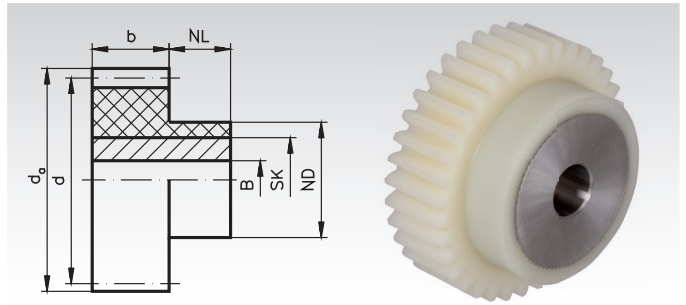
**Material:** Outer part: Plastic PA 12 G.  
Steel core: Choice of steel or stainless steel 1.4305.



Tooth quality 8e25 DIN 3967.  
Temperature range -60°C to +120° C, short periods 150° C.

- Special plastic with excellent material properties.
- Enables snugly fitting, high strength shaft-hub connection.
- Optimal force transmission due to cylindrical contact area.
- Light, silent and clean, with excellent dry running properties.

Ordering Details: e.g.: Product No. 232 550 15, spur gear, module 2,5, 15 teeth



### Module 2.5 Tooth width b = 25 mm

Product No. Steel Core	Product No. Stainless Core	Number of teeth	b mm	d <sub>a</sub> mm	d mm	NL mm	ND mm	SK mm	BH7 mm	perm.MD* Nm	Weight g
232 550 15	232 950 15	15	25	42,5	37,5	15	31	25	10	3,2	148
232 550 18	232 950 18	18	25	50	45	15	35	25	10	4,3	164
232 550 20	232 950 20	20	25	55	50	15	45	35	15	5,6	280
232 550 24	232 950 24	24	25	65	60	15	50	40	15	8,8	388
232 550 25	232 950 25	25	25	67,5	62,5	15	50	40	15	9,6	394
232 550 30	232 950 30	30	25	80	75	15	55	45	15	15,0	525
232 550 32	232 950 32	32	25	85	80	15	65	55	15	17,6	768
232 550 36	232 950 36	36	25	95	90	15	70	60	15	22,8	933
232 550 40	232 950 40	40	25	105	100	15	75	65	20	29,9	1070
232 550 45	232 950 45	45	25	117,5	112,5	15	80	70	20	34,5	1276
232 550 48	232 950 48	48	25	125	120	15	85	75	20	35,3	1475
232 550 50	232 950 50	50	25	130	125	15	85	75	20	38,8	1499
232 550 60	232 950 60	60	25	155	150	15	100	90	20	46,8	2197
232 550 70	232 950 70	70	25	180	175	15	100	90	20	54,8	2358
232 550 72	232 950 72	72	25	185	180	15	110	90	20	56,1	2824
232 550 80	232 950 80	80	25	205	200	15	120	110	20	62,2	3451

### Module 3 Tooth width b = 30 mm

Product No. Steel Core	Product No. Stainless Core	Number of teeth	b mm	d <sub>a</sub> mm	d mm	NL mm	ND mm	SK mm	BH7 mm	perm.MD* Nm	Weight g
233 550 15	233 950 15	15	30	51	45	20	35	25	10	5,8	204
233 550 18	233 950 18	18	30	60	54	20	45	35	10	7,7	398
233 550 20	233 950 20	20	30	66	60	20	45	35	15	10,1	376
233 550 24	233 950 24	24	30	78	72	20	55	45	15	15,8	643
233 550 25	233 950 25	25	30	81	75	20	55	45	15	17,5	654
233 550 30	233 950 30	30	30	96	90	20	70	60	15	27,2	1163
233 550 36	233 950 36	36	30	114	108	20	80	70	20	42,0	1565
233 550 40	233 950 40	40	30	126	120	20	85	75	20	52,4	1837
233 550 45	233 950 45	45	30	141	135	20	85	75	20	59,5	1927
233 550 48	233 950 48	48	30	150	144	20	90	80	20	63,8	2208
233 550 50	233 950 50	50	30	156	150	20	100	90	20	66,7	2734
233 550 60	233 950 60	60	30	186	180	20	100	90	20	81,0	2969

### Module 4 Tooth width b = 40 mm

Product No. Steel Core	Product No. Stainless Core	Number of teeth	b mm	d <sub>a</sub> mm	d mm	NL mm	ND mm	SK mm	BH7 mm	perm.MD* Nm	Weight g
234 550 12	234 950 12	12	40	56	48	20	35	25	10	8,1	256
234 550 15	234 950 15	15	40	68	60	20	50	40	20	12,1	519
234 550 16	234 950 16	16	40	72	64	20	50	40	20	13,5	535
234 550 20	234 950 20	20	40	88	80	20	65	55	20	20,9	1100
234 550 24	234 950 24	24	40	104	96	20	75	65	20	33,4	1588
234 550 25	234 950 25	25	40	108	100	20	75	65	20	38,4	1613
234 550 30	234 950 30	30	40	128	120	20	85	75	20	66,1	2227
234 550 36	234 950 36	36	40	152	144	20	100	90	30	98,7	3081
234 550 40	234 950 40	40	40	168	160	20	100	90	30	120,4	3234
234 550 45	234 950 45	45	40	188	180	20	110	90	30	135,6	4092
234 550 50	234 950 50	50	40	208	200	20	120	110	30	153,0	5042
234 550 60	234 950 60	60	40	248	240	20	130	120	30	185,8	6376

\* Basis of calculations see page 197.