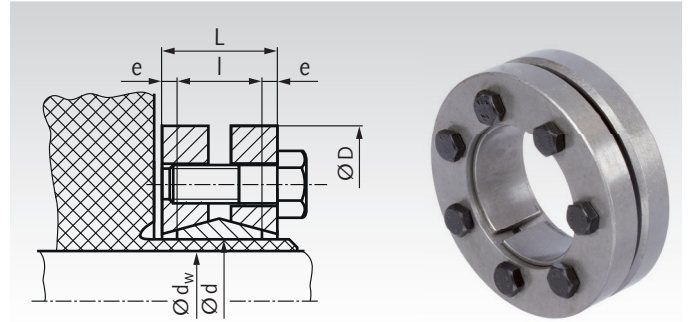


Shrink Disks ST-B

Material: Steel.

- For high torques.
- No axial shaft-hub movement.
- Quick mounting.
- Quick demounting.



Ordering Details: e.g.: Product No. 615 870 14, Shrink Disk ST-B, Inner-Ø 14 mm

Product No.	Inner-Ø d mm	Shaft-Ø ¹⁾ d _w mm	Torque ²⁾ T Nm	Axial Load ²⁾ F _{ax} kN	D mm	l mm	L mm	e mm	Screws DIN 931 No. x Size	Fastening Torque T _A Nm	Contact- pressure P _N N/mm ²	Weight kg
615 870 14	14	11	30	6,3	38	7	11	2	4 x M5	4	193	0,10
		12	50	9,2							179	
615 870 16	16	13	70	10	41	11	15	2	5 x M5	4	133	0,10
		14	90	13							131	
615 870 24	24	19	170	26	50	14	19,5	2,75	6 x M5	4	292	0,21
		20	200	26							272	
		21	240	28							277	
615 870 30	30	24	300	29	60	16	21,5	2,75	7 x M5	4	231	0,32
		25	340	31							235	
		26	370	32							226	
615 870 36	36	28	440	50	72	18	23,5	2,75	5 x M6	12	307	0,48
		30	550	56							295	
		31	610	60							319	
615 870 44	44	32	660	63	80	20	25,5	2,75	7 x M6	12	314	0,64
		35	800	75							323	
		36	830	75							307	
615 870 50	50	38	980	78	90	22	27,5	2,75	8 x M6	12	301	0,80
		40	1110	82							277	
		42	1150	83							292	
615 870 55	55	42	1390	90	100	23	30,5	3,75	8 x M6	12	249	1,15
		45	1550	93							257	
		48	1880	94							252	
615 870 62	62	48	1900	97	110	23	30,5	3,75	10 x M6	12	293	1,30
		50	1940	105							290	
		52	2300	110							265	
615 870 68	68	50	2300	111	115	23	30,5	3,75	10 x M6	12	247	1,32
		55	2600	115							265	
		60	2600	115							245	
615 870 75	75	55	3020	123	138	25	32,5	3,75	7 x M8	30	284	1,70
		60	3070	124							262	
		65	3170	132							270	
615 870 80	80	60	3910	141	145	25	32,5	3,75	7 x M8	30	253	1,90
		65	3940	153							259	
		70	4600	160							259	
615 870 85	85	65	4650	165	155	30	39	4,5	10 x M8	30	276	3,50
		70	4660	170							279	
		75	6000	191							279	

¹⁾ Shaft-Ø of the customer's machine (for example). ²⁾ Transmittable values with shaft-Ø d_w of the customer's machine.

More sizes up to inner-Ø d=300mm, for shaft diameter 240mm and 292,000Nm are available.

Price and delivery time on request.

Mounting

Clean and slightly lubricate the contact surfaces of shaft and hub. Place clamping set on the hub. Fasten the tensioning screws evenly, step by step until the fastening torque T_A of the table is reached. To reach the value stated in the table several fastening steps are required. The figures for T and F_{ax} stated in the table were calculated for an assembly with oil.

Attention: Do not use any lubricant containing molybdenum sulphide.

Demounting: Evenly unscrew all tensioning screws one by one. Do not fully remove the screws from the thread. The clamping element usually disengages on its own.

Tolerances, Surface Roughness

One good turn is sufficient.

Highest permissible surface roughness: R_t=12.5µm.

Tolerances for d_w/d: H8/h8.