

Chain Tensioners SPANN-BOY® TS, for Roller Chains DIN ISO 606 (ex DIN 8187)

Material: Housing from steel, zinc-plated, black lackered.
Chain rider from low pressure polyethylene PE-UHMW.

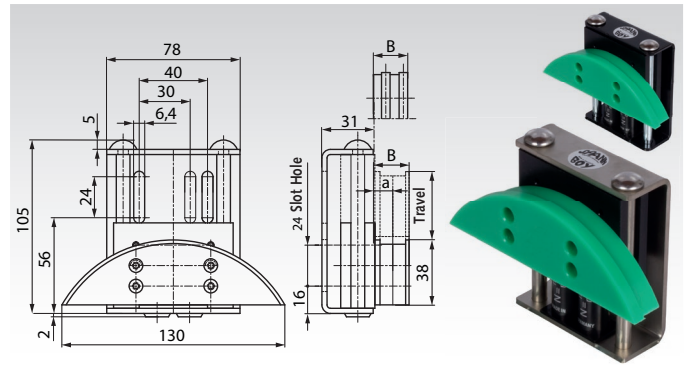
Material Version Stainless: Housing from stainless steel.



These very low, ready-to-install tensioners enable noise reduction and wear reduction at chain drives.

- Needed space below chain only 40mm.
- With two springs of different force, which can get activated separately or together. So it is possible to adjust three different tensioning forces.
- Usable travel about 40mm.
- Interchangeable with similar parts of other suppliers.

Temperature range: -20°C to +60°C (short time up to +80°C).



Ordering Details: e.g.: Product No. 140 408 01, Spann-Boy TS, 06 B-1

SPANN-BOY® TS

Product No.	DIN ISO	Pitch Inch	a mm	B mm	Weight g
140 408 01	≤06 B-1	3/8 x 7/32"	10,0	20	460
140 408 05	08 B-1	1/2 x 5/16"	16,5	20	460
140 408 06	10 B-1	5/8 x 3/8"	15,6	20	460
140 408 07	12 B-1	3/4 x 7/16"	14,8	20	460
140 408 21	06 B-2	3/8 x 7/32"	7,5	20	460
140 408 25	08 B-2	1/2 x 5/16"	15,2	32	460
140 408 26	10 B-2	5/8 x 3/8"	11,3	32	500
140 408 30	05 B-3	8mm x 3mm	7,4	20	480
140 408 31	06 B-3	3/8 x 7/32"	9,4	32	480

SPANN-BOY® TS, Stainless

Product No.	STAINLESS DIN ISO	Pitch Inch	a mm	B mm	Weight g
140 409 01	≤06 B-1	3/8 x 7/32"	10,0	20	460
140 409 05	08 B-1	1/2 x 5/16"	16,5	20	460
140 409 06	10 B-1	5/8 x 3/8"	15,6	20	460
140 409 07	12 B-1	3/4 x 7/16"	14,8	20	460
140 409 21	06 B-2	3/8 x 7/32"	7,5	20	460
140 409 25	08 B-2	1/2 x 5/16"	15,2	32	460
140 409 26	10 B-2	5/8 x 3/8"	11,3	32	500
140 409 30	05 B-3	8mm x 3mm	7,4	20	480
140 409 31	06 B-3	3/8 x 7/32"	9,4	32	480

Adjustable Tensioning Forces:

The SPANN-BOY® TS has two different springs: one with low force and one with high force. These springs can get activated separately or together. So it is possible to adjust three different tensioning forces:

Only the low-force spring activated: 58 - 32 N.

Only the high-force spring activated: 132 - 60 N.

Both springs together activated: 190 - 96 N.

Operating Instructions at www.maedler.de in the section Downloads