

## Roller Chains with Bent Attachments Similar to DIN ISO 606 (ex DIN 8187-2), K2, 2 x p, Stainless

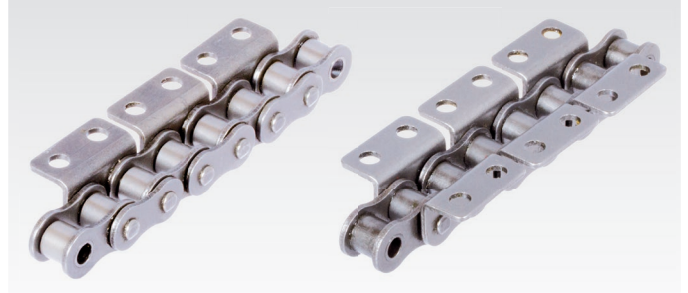
**Material:** Stainless steel 1.4301.

**Attachment distance 2 x p**  
(attachment at every outer link,  
either one-sided or two-sided).

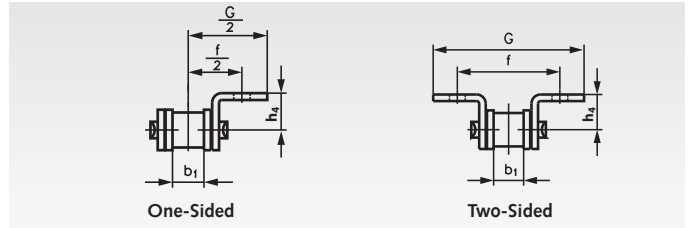
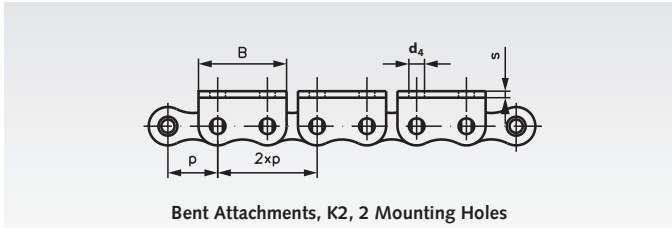
Other attachment distances can be supplied at short notice.  
Different attachment sizes and special chains on request.

Connecting links K2 have to be ordered separately (see below).

Ordering Details, e.g., Product No. 101 990 21, Roller Chain with Bent Attachments  
06 B-1-K2, One-Sided on the Outer Link, Distance 2xp, stainless



### K2 = Wide Version, 2 Mounting Holes

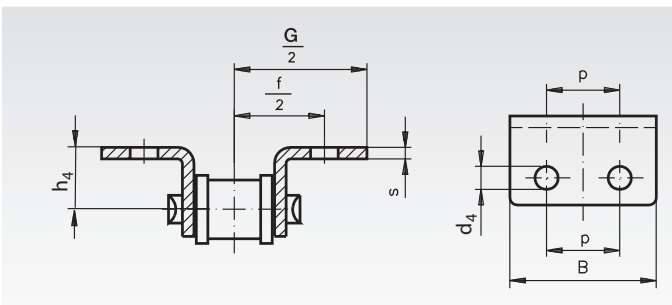


DIN ISO No.	Product No. One-Sided 2 x p	Product No. Two-Sided 2 x p	Pitch x Inner Width p x b <sub>1</sub> inch	Pitch p mm	Inner Width b <sub>1</sub> min. mm	h <sub>4</sub> mm	d <sub>4</sub> mm	f/2 mm	G/2* mm	B* mm	s min* mm	Weight*	
												1-Sided kg/m	2-Sided kg/m
06 B-1**	101 990 21	101 990 22	3/8 x 7/32"	9,525	5,72	6,5	3,5	9,5	13,5	17,7	1,2	0,51	0,61
08 B-1	105 990 21	105 990 22	1/2 x 5/16"	12,7	7,75	8,9	4,5	12,7	17,6	23,2	1,6	0,84	0,99
10 B-1	106 990 21	106 990 22	5/8 x 3/8"	15,875	9,65	10,3	5,5	15,9	22,5	29,5	1,7	1,13	1,30

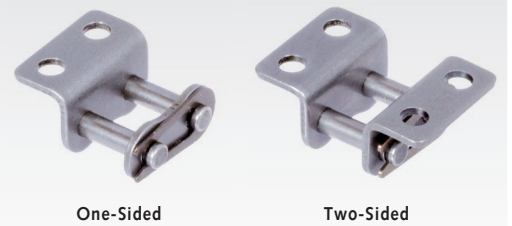
- \* The marked dimensions are not listed in the DIN and may vary a little.  
Attachments with dimensions according to company standard are still available on request.
- \*\* This size is not listed in the DIN.

**Attention please: Packing Unit 5m**  
If special lengths are needed, please tell us the  
length and the number of links (uneven number!).  
Connecting links have to be ordered separately.

## Connecting Links K2 with Spring Clip, with Wide, Bent Attachments Similar to DIN ISO 606, Stainless



Wide Bent  
Attachment =  
Version K2  
(view from top,  
turned).



**Material:** Stainless steel 1.4301.

Ordering Details, e.g., Product No. 101 993 21, Connecting Link K2, one-sided, stainless



### K2 = Wide Version, 2 Mounting Holes

DIN ISO	Product No. One-Sided	Product No. Two-Sided	p mm	h <sub>4</sub> mm	d <sub>4</sub> mm	f/2 mm	G/2* mm	B* mm	s min.* mm	Weight*	
										1-Sided g	2-Sided g
06 B-1**	101 993 21	101 993 22	9,525	6,5	3,5	9,5	13,5	17,7	1,2	6,2	6,2
08 B-1	105 993 21	105 993 22	12,7	8,9	4,5	12,7	17,6	23,2	1,6	13,7	18,4
10 B-1	106 993 21	106 993 22	15,875	10,3	5,5	15,9	22,5	29,5	1,7	21	29
12 B-1	107 993 21	107 993 22	19,05	13,5	6,6	19,05	26,2	33,8	1,8	29	40
16 B-1	108 993 21	108 993 22	25,4	15,9	6,6	25,4	36,3	46,2	2,8	88	116

- \* The marked dimensions are not listed in the DIN and may vary a little.
- \*\* This size is not listed in the DIN.