

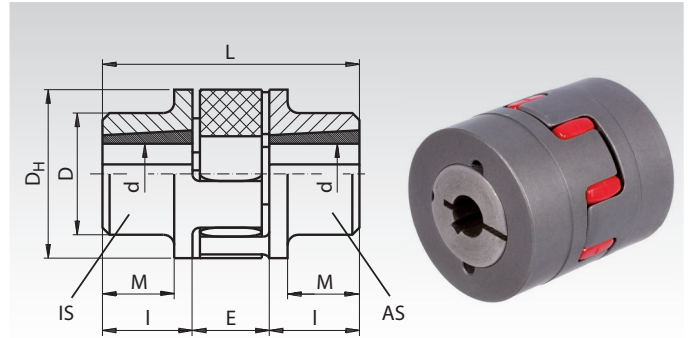
Elastic Couplings RNT for Taper Bushes

Material: Coupling hubs: Grey Cast Iron GG25 (GJL 250).
Spider (insert): Polyurethane, hardness 92°A or 98°A Shore.

Two coupling hubs combined with an insert and two taper bushes make up a ready-to-install elastic coupling. **All components have to be ordered separately.** This means accessibility (mounting from the inside or outside) and various bore diameters can be chosen. Temperature range: -20°C to +80°C.

Design IS: Mounting of bush from inside.
Design AS: Mounting of bush from outside.

Ordering Details: e.g.: Product No. 605 201 01, Coupling Hub RNT, Version IS
605 201 01, Coupling Hub RNT, Version AS
605 092 24, Spider
and two matching Clamping Bushes 2x 622 501...



Hubs for Couplings RNT

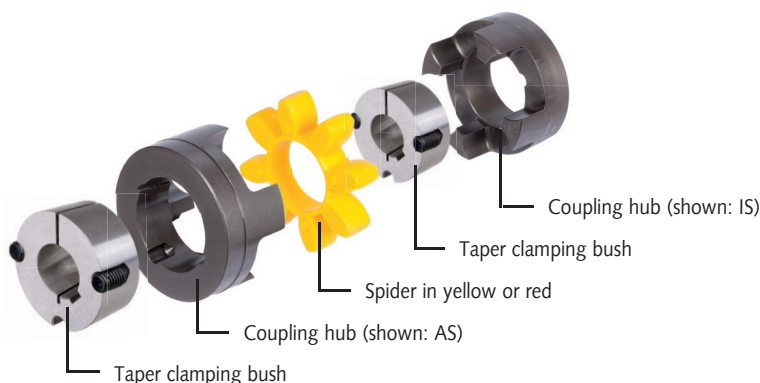
Product No. Coupling hub	Hub version	Size	Nominal Torque			D _H mm	D mm	L mm	I mm	M mm	E mm	Bore d min. mm	Bore d max. mm	Bush No.	Speed max. at V=40 m/s min ⁻¹	Weight kg
			92 Sh Nm	98 Sh Nm	alternat. Nm											
605 201 01	IS	24	35	60	9,1	55	55	64	23	-	18	9	25	1008	14000	0,4
605 201 02	AS	24	35	60	9,1	55	55	64	23	-	18	9	25	1008	14000	0,4
605 202 01	IS	28	95	160	25	65	65	66	23	-	20	9	28	1108	11800	0,6
605 202 02	AS	28	95	160	25	65	65	66	23	-	20	9	28	1108	11800	0,6
605 203 01	IS	38	190	325	49	80	78	70	23	15	24	9	28	1108	9500	0,9
605 203 02	AS	38	190	325	49	80	78	70	23	15	24	9	28	1108	9500	0,9
605 204 01	IS	42	265	450	69	95	94	78	26	16	26	12	42	1610	8000	1,5
605 204 02	AS	42	265	450	69	95	94	78	26	16	26	12	42	1610	8000	1,5
605 205 01	IS	48	310	525	107	105	104	106	39	28	28	12	42	1615	7100	2,6
605 205 02	AS	48	310	525	107	105	104	106	39	28	28	12	42	1615	7100	2,6
605 206 01	IS	55	410	685	125	118	118	96	33	20	30	12	50	2012	6300	2,8
605 206 02	AS	55	410	685	125	118	118	96	33	20	30	12	50	2012	6300	2,8
605 207 01	IS	65	625	940	163	135	115	101	33	19	35	12	50	2012	5600	3,5
605 207 02	AS	65	625	940	163	135	115	101	33	19	35	12	50	2012	5600	3,5
605 208 01	IS	75	1280	1920	333	160	135	144	46	36	40	15	65	2517	4750	6,9
605 208 02	AS	75	1280	1920	333	160	135	144	46	36	40	15	65	2517	4750	6,9
605 209 01	IS	90	2400	3600	624	200	160	149	52	33	45	20	75	3020	3750	9,6
605 209 02	AS	90	2400	3600	624	200	160	149	52	33	45	20	75	3020	3750	9,6

Spiders for Couplings RNT (Page 372)

Size	Ø mm	Product No. 92° Shore A yellow	Transmittable torque			Product No. 98° Shore A red	Transmittable torque			Weight kg
			nominal Nm	max. Nm	alternat. Nm		nominal Nm	max. Nm	alternat. Nm	
24	55	605 092 24	35	70	9,1	605 098 24	60	120	16	0,02
28	65	605 092 28	95	190	25	605 098 28	160	320	42	0,03
38	80	605 092 38	190	380	49	605 098 38	325	650	85	0,06
42	95	605 092 42	265	530	69	605 098 42	450	900	117	0,07
48	105	605 092 48	310	620	81	605 098 48	525	1050	137	0,10
55	120	605 092 55	410	820	107	605 098 55	685	1370	178	0,12
65	135	605 092 65	625	1250	163	605 098 65*	940	1880	244	0,21
75	160	605 092 75	1280	2560	333	605 098 75*	1920	3840	499	0,34
90	200	605 092 90	2400	4800	624	605 098 90*	3600	7200	936	0,70

* From size 65 shore hardness 95°A.

Note: Spiders with hardness 64°D Shore are not recommended for taper couplings.



Taper Bushes
page 340

**Description and
mounting instructions**
page 867

