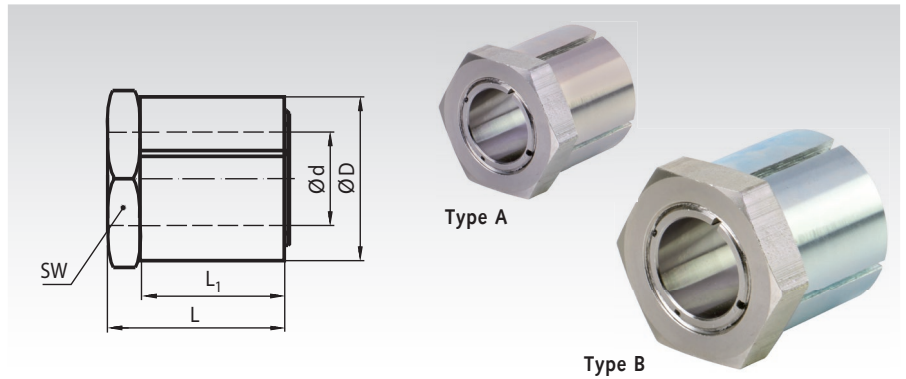


## Locking Assemblies TOK

**Material:** Type A: Steel without surface treatment. Type B: Steel with corrosion protection (inner bush and nut nickel-plated, outer bush zinc-plated).

- For fixing a hub (e.g. drive wheel, rotor or similar) on a shaft.
- For medium torques.
- Self-centering.
- Axial offset during mounting (can be compensated by correct positioning).



Ordering Details: e.g.: Product No. 615 503 05,  
Locking Assembly TOK Type A, 5 mm

Product No. Type A	Product No. Type B	d mm	D mm	L mm	L <sub>1</sub> mm	T Nm	F <sub>ax</sub> kN	P <sub>w</sub> N/mm <sup>2</sup>	P <sub>N</sub> N/mm <sup>2</sup>	SW mm	T <sub>A</sub> Nm	Weight g
615 503 05	615 583 05	5	14	19	15	10	4,0	264	97	14	10	18
615 503 06	615 583 06	6	14	19	15	12	4,0	220	96	14	10	17
615 503 07	615 583 07	7	16	22	17	20	5,8	205	91	16	17	26
615 503 08	615 583 08	8	16	22	17	23	5,8	180	91	16	17	24
615 503 09	615 583 09	9	20	24	19	43	9,7	246	115	22	35	47
615 503 10	615 583 10	10	20	24	19	48	9,7	221	115	22	35	44
615 503 11	615 583 11	11	22	24	19	59	10,8	225	117	22	44	51
615 503 12	615 583 12	12	22	24	19	65	10,9	207	117	22	44	48
615 503 14	615 583 14	14	26	28	22	93	13,3	179	99	27	65	81
615 503 15	615 583 15	15	26	28	22	99	13,3	167	99	27	65	75
615 503 16	615 583 16	16	26	28	22	106	13,3	156	99	27	65	71
615 503 17	615 583 17	17	32	34	26	163	19,2	187	108	32	110	149
615 503 18	615 583 18	18	35	36	27	223	24,8	224	125	36	161	197
615 503 19	615 583 19	19	35	36	27	235	24,8	213	125	36	161	189
615 503 20	615 583 20	20	35	36	27	248	24,8	202	125	36	161	182
615 503 22	615 583 22	22	42	41	30	349	31,7	197	111	46	250	343
615 503 24	615 583 24	24	42	41	30	381	31,7	181	111	46	250	322
615 503 25	615 583 25	25	42	41	30	397	31,7	174	111	46	250	310
615 503 28	615 583 28	28	47	44	33	565	40,3	174	110	50	355	403
615 503 30	615 583 30	30	47	44	33	605	40,3	163	110	50	355	375
615 503 32	615 583 32	32	55	51	38	764	47,7	166	102	55	490	626
615 503 35	615 583 35	35	55	51	38	836	47,7	152	102	55	490	566
615 503 38	615 583 38	38	62	58	43	1140	60,2	155	108	65	700	897
615 503 40	615 583 40	40	62	58	43	1329	66,5	147	108	65	800	842
615 503 42	615 583 42	42	65	63	48	1375	67	140	98	65	800	959
615 503 45	615 583 45	45	65	63	48	1605	71	142	98	65	900	855
615 503 48	615 583 48	48	75	73	58	2227	92	121	77	75	1290	1470
615 503 50	615 583 50	50	75	73	58	2320	92	116	77	75	1290	1380

T = transmittable torque at F<sub>ax</sub> = 0.

F<sub>ax</sub> = transmittable axial force at T = 0.

P<sub>w</sub> = surface pressure onto the shaft.

P<sub>N</sub> = surface pressure onto the hub.

T<sub>A</sub> = fastening torque of the screws.

### Fit

Shaft h8, Hub H8.  
Surface roughness max. 12.5µm.

### Construction

The nut is screwed on the inner bush and is held with its collar inside the hexagon of the outer bush.

### Mounting

It is essential to degrease the shaft and hub. There must be little oil only between the two hexagons. The locking assembly must not get in contact with any fixed components. Hold the back hexagon with a slim open-end wrench and tighten the front hexagon with a torque wrench clockwise to the torque T<sub>A</sub> as per the table.

### Demounting

Hold the back hexagon with a slim open-end wrench and loosen the front hexagon counter-clockwise, until the inner bush moved a few millimeters out of the outer bush.