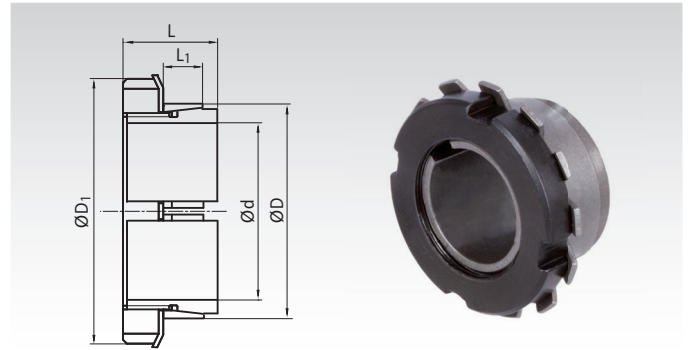


Locking Assemblies SSGK

Material: Steel.

- For fixing a hub (e.g. drive wheel, rotor or similar) on a shaft.
- For low torques.
- Very short version.
- Also suitable for small hub diameters.
- Not self-centering.
- Not self-locking.
- Axial movement during mounting.



Ordering Details: e.g.: Product No. 615 201 14, Locking Assembly SSGK, 14 mm

Product No.	d mm	D mm	L mm	L ₁ mm	D ₁ mm	T Nm	F _{ax} kN	P _W N/mm ²	P _N N/mm ²	Nut 8.8 Thread	T _A Nm	Weight kg
615 201 14	14	25	16,5	6,5	32	39	5,0	204	112	M20x1	95	0,05
615 201 15	15	25	16,5	6,5	32	43	5,1	192	114	M20x1	95	0,05
615 201 16	16	25	16,5	6,5	32	45	5,1	181	114	M20x1	95	0,04
615 201 17	17	30	18	6,5	38	55	6,0	197	112	M25x1,5	160	0,08
615 201 18	18	30	18	6,5	38	59	6,0	188	113	M25x1,5	160	0,08
615 201 19	19	30	18	6,5	38	64	7,0	181	115	M25x1,5	160	0,08
615 201 20	20	30	18	6,5	38	69	7,3	174	115	M25x1,5	160	0,07
615 201 22	22	35	18	6,5	45	100	8,0	210	132	M30x1,5	220	0,10
615 201 24	24	35	18	6,5	45	108	8,7	191	131	M30x1,5	220	0,09
615 201 25	25	35	18	6,5	45	108	9	174	124	M30x1,5	220	0,09
615 201 28	28	40	19,5	7	52	155	11	185	129	M35x1,5	340	0,08
615 201 30	30	40	19,5	7	52	158	11	159	119	M35x1,5	340	0,09
615 201 32	32	45	21,5	8	58	208	12	165	119	M40x1,5	480	0,18
615 201 35	35	45	21,5	8	58	225	13	150	118	M40x1,5	480	0,17
615 201 36	36	45	21,5	8	58	240	13,5	149	120	M40x1,5	480	0,16
615 201 38	38	52	24,5	10	65	287	14	125	92	M45x1,5	680	0,25
615 201 40	40	52	24,5	10	65	313	15	121	94	M45x1,5	680	0,24
615 201 42	42	57	25,5	10	70	352	16	124	91	M50x1,5	870	0,31
615 201 45	45	57	25,5	10	70	400	18	123	97	M50x1,5	870	0,29
615 201 48	48	62	25,5	10	75	520	21	140	109	M55x2	970	0,32
615 201 50	50	62	25,5	10	75	540	22	135	109	M55x2	970	0,30
615 201 55	55	68	27,5	12	80	580	22	98	80	M60x2	1100	0,35
615 201 56	56	68	27,5	12	80	610	22	99	80	M60x2	1100	0,34
615 201 60	60	73	28,5	12	85	820	28	116	96	M65x2	1300	0,42
615 201 63	63	79	30,5	14	92	1000	31	111	89	M70x2	1600	0,56
615 201 65	65	79	30,5	14	92	1020	32	103	85	M70x2	1600	0,52
615 201 70	70	84	31,5	14	98	1280	36	113	95	M75x2	2000	0,63

T = transmittable torque at F_{ax} = 0.

F_{ax} = transmittable axial force at T = 0.

P_W = surface pressure onto the shaft.

P_N = surface pressure onto the hub.

T_A = fastening torque of slotted nut.

Fit

Shaft h8, Hub H8.
Surface roughness max. 12.5µm.

Mounting

Slightly oil the locking assembly before mounting, do not use molybdenum disulphide or grease. Tighten the slotted nut and bend the lock washer.

Demounting

Re-bend the lock washer. Remove the nut. Then, due to the large cone angle, the locking assembly is usually released.