

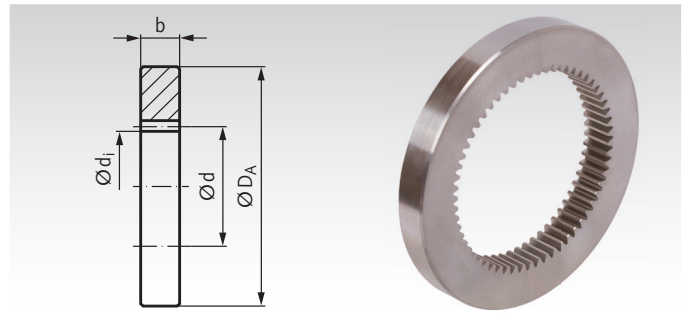
Straight-Toothed Internal Gears Made from Stainless Steel

Material: Stainless steel 1.4305.

Tooth quality: 8, Teeth generated.

Pressure angle 20°.

Outside-diameter tolerance in accordance with
DIN ISO 2768 middle.



Ordering Details: e.g.: Product No. 224 994 25, Internal Gear, Stainless Steel,
Module 1, Width 10, 25 Teeth

Module 1 b = 10 mm, Stainless Steel

Product No.	Number of teeth	b mm	d mm	d _i mm	D _A mm	Weight g
224 994 25	25	10	25	23	50	113
224 994 30	30	10	30	28	55	128
224 994 36	36	10	36	34	60	141
224 994 40	40	10	40	38	65	156
224 994 45	45	10	45	43	70	180
224 994 48	48	10	48	46	75	198
224 994 50	50	10	50	48	75	185
224 994 60	60	10	60	58	85	213
224 994 70	70	10	70	68	95	249
224 994 72	72	10	72	70	100	294
224 994 80	80	10	80	78	105	275
224 994 90	90	10	90	88	115	306
224 994 100	100	10	100	98	125	342
224 994 120	120	10	120	118	150	488