

Tapered Roller Bearings **MÄDLER**®, Single Row, inner diameter 15 - 50 mm

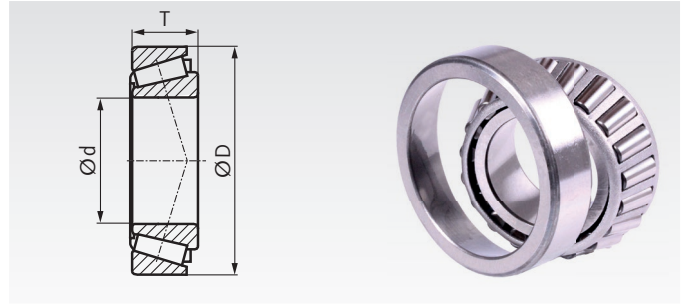
Material: Bearing steel.

- Standard tapered roller bearings in high quality.
- For common axial and radial load.
- Usable for low speed to middle speed.
- Easy to mount (the outer ring is loose).

Temperature range: -30°C to +90°C (for short time up to +110°C).

Other versions or sizes on request.

Ordering Details: e.g.: Product No. 30302-MAE, Tapered Roller Bearing



| Product No. (Bearing Type) | Main dimensions | | | Version | Load rating radial | | Speed limit min ⁻¹ | Weight g |
|-------------------------------|-----------------|---------|---------|---------------|--------------------|---------------------------|----------------------------------|-------------|
| | d mm | D mm | T mm | | dyn.C kN | stat.C ₀ kN | | |
| 30302-MAE | 15 | 42 | 14,25 | standard size | 15,7 | 14,0 | 12.600 | 98 |
| 30203-MAE | 17 | 40 | 13,25 | kompakt size | 13,3 | 13,0 | 12.600 | 81 |
| 30303-MAE | 17 | 47 | 15,25 | medium size | 19,7 | 17,5 | 11.200 | 133 |
| 32004X-MAE | 20 | 42 | 15 | ISO-size | 16,9 | 18,9 | 11.200 | 102 |
| 30204-MAE | 20 | 47 | 15,25 | medium size | 19,3 | 19,6 | 10.500 | 127 |
| 30304-MAE | 20 | 52 | 16,25 | heavy size | 23,9 | 22,8 | 9.800 | 179 |
| 32005X-MAE | 25 | 47 | 15 | ISO-size | 18,9 | 22,8 | 9.800 | 118 |
| 30205-MAE | 25 | 52 | 16,25 | medium size | 21,6 | 23,5 | 9.100 | 156 |
| 30305-MAE | 25 | 62 | 18,25 | heavy size | 31,2 | 30,1 | 8.400 | 273 |
| 32006X-MAE | 30 | 55 | 17 | ISO-size | 25,1 | 30,8 | 8.400 | 177 |
| 30206-MAE | 30 | 62 | 17,25 | medium size | 28,1 | 30,8 | 7.700 | 236 |
| 30306-MAE | 30 | 72 | 20,75 | heavy size | 39,3 | 39,2 | 7.000 | 411 |
| 32007X-MAE | 35 | 62 | 18 | ISO-size | 34,3 | 37,8 | 7.700 | 231 |
| 30207-MAE | 35 | 72 | 18,25 | medium size | 35,8 | 39,2 | 6.650 | 344 |
| 30307-MAE | 35 | 80 | 22,75 | heavy size | 50,5 | 51,5 | 6.300 | 527 |
| 32008X-MAE | 40 | 68 | 19 | ISO-size | 37,0 | 49,7 | 6.650 | 282 |
| 30208-MAE | 40 | 80 | 19,75 | medium size | 43,1 | 47,6 | 5.950 | 434 |
| 30308-MAE | 40 | 90 | 25,25 | heavy size | 60,1 | 66,5 | 5.600 | 757 |
| 32009X-MAE | 45 | 75 | 20 | ISO-size | 40,8 | 56,0 | 5.950 | 354 |
| 30209-MAE | 45 | 85 | 20,75 | medium size | 46,2 | 53,6 | 5.600 | 502 |
| 30309-MAE | 45 | 100 | 27,25 | heavy size | 75,6 | 84,0 | 4.900 | 1010 |
| 32010X-MAE | 50 | 80 | 20 | ISO-size | 42,4 | 61,6 | 5.600 | 389 |
| 30210-MAE | 50 | 90 | 21,75 | medium size | 53,6 | 64,1 | 5.250 | 566 |
| 30310-MAE | 50 | 110 | 29,25 | heavy size | 100,1 | 98,0 | 4.410 | 1320 |

Supplementary designations:

X = Boundary dimensions changed to conform to ISO

**Locknuts,
Lockwashers
page 566**



**Hook Wrenches
page 567**



Loctite bonding products
(bearing adhesive)
page 849.