

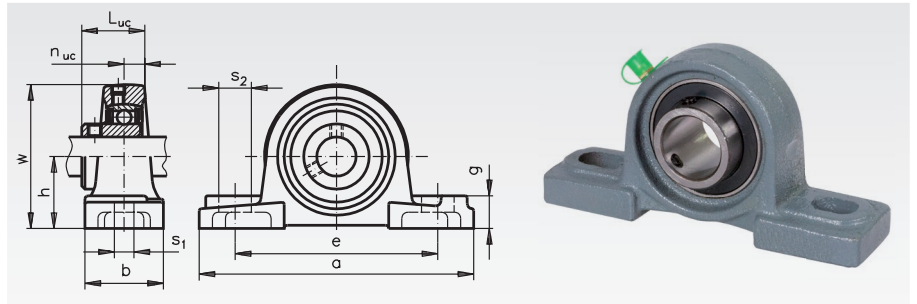
Ball Pillow Block Bearings UCP (Grey Cast Iron)

Material: Housing from grey cast iron.
Rolling bearing from bearing steel.

The rolling bearing can be swiveled when mounting to compensate shaft misalignment. The shaft will get fastened with 2 setscrews. Lubricated for life at normal operating conditions. Re-lubricating is possible.

Technical explanations page 405.

Delivery with grease nipple.



Ordering Details: e.g.: Product No. 625 112 00, Ball Pillow Block Bearing UCP 201, Bore 12mm

Product No.	UCP No.	Bore mm	h mm	a mm	e mm	b mm	s ₁ mm	s ₂ mm	g mm	w mm	L _{uc} mm	n _{uc} mm	Bearing-Load Rating*		Weight kg
													dyn. C kN	stat. C ₀ kN	
625 112 00	201	12	30,2	127	95	38	13	19	14	62	31,0	12,7	9,9	6,2	0,61
625 115 00	202	15	30,2	127	95	38	13	19	14	62	31,0	12,7	9,9	6,2	0,61
625 117 00	203	17	30,2	127	95	38	13	19	14	62	31,0	12,7	9,9	6,0	0,61
625 120 00	204	20	33,3	127	95	38	13	19	14	65	31,0	12,7	9,9	6,0	0,65
625 125 00	205	25	36,5	140	105	38	13	19	15	71	34,1	14,3	10,8	7,0	0,79
625 130 00	206	30	42,9	163	121	46	17	21	17	82	38,1	15,9	15,1	10,0	1,27
625 135 00	207	35	47,6	167	127	47	17	21	18	92	42,9	17,5	19,9	13,7	1,56
625 140 00	208	40	49,2	178	136	52	17	21	18	97	49,2	19,0	22,6	15,7	1,97
625 145 00	209	45	54,0	189	146	54	17	21	21	105	49,2	19,0	25,2	17,8	2,27
625 150 00	210	50	57,2	206	159	60	20	23	21	113	51,6	19,0	27,1	19,7	2,70
625 155 00	211	55	63,5	217	171	59	20	25	24	123	55,6	22,2	33,4	29,2	3,02
625 160 00	212	60	69,8	240	183	69	20	25	26	135	65,1	25,4	47,8	33,0	4,80
625 165 00	213	65	76,2	263	203	68	25	30	28	149	65,1	25,4	44,0	40,0	5,14
625 170 00	214	70	79,4	266	210	69	25	30	28	155	74,6	30,2	46,8	45,0	5,59
625 175 00	215	75	82,6	273	217	74	25	30	28	163	77,8	33,3	50,9	49,3	6,47
625 180 00	216	80	88,9	290	231	77	25	30	33	174	82,6	33,3	55,0	53,3	7,27

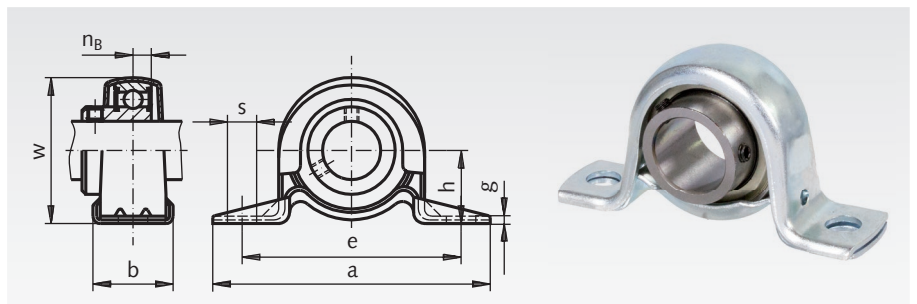
* Maximum radial load if axial force = 0. The axial load rating is approx. 20% of the radial load rating.

Ball Pillow Block Bearings BPP (Two-Part Steel Sheet, Zinc-Plated)

Material: Housing from two-part steel sheets, zinc-plated. Rolling bearing from bearing steel.

The rolling bearing can be swiveled when mounting to compensate shaft misalignment. The shaft will get fastened with 2 setscrews. Lubricated for life at normal operating conditions. Re-lubricating is not possible.

Technical explanations page 405.



Ordering Details: e.g.: Product No. 625 212 00, Ball Pillow Block Bearing BPP 201, Bore 12mm

Product No.	BPP No.	Bore mm	h mm	a mm	e mm	b mm	s mm	g mm	w mm	n _B mm	Permissible Housing Load kN	Bearing-Load Rating*		Weight kg
												dyn. C kN	stat. C ₀ kN	
625 212 00	201	12	22,2	86	68	25	9,5	3	43,8	6	2,16	7,4	4,5	0,16
625 215 00	202	15	22,2	86	68	25	9,5	3	43,8	6	2,16	7,4	4,5	0,16
625 217 00	203	17	22,2	86	68	25	9,5	3	43,8	6	2,16	7,4	4,5	0,16
625 220 00	204	20	25,4	99	76	32	9,5	3	50,5	7	2,62	9,9	6,2	0,23
625 225 00	205	25	28,6	108	86	32	11,5	4	56,6	7,5	3,72	10,8	7,0	0,28
625 230 00	206	30	33,3	117	95	38	11,5	4	66,3	8	4,41	15,1	10,0	0,47
625 235 00	207	35	39,7	129	106	42	11,5	5	78	8,5	4,90	19,9	13,7	0,60

* Maximum radial load if axial force = 0. Regard the housing load. The axial load rating is approx. 20% of the radial load rating.