

## Small Worm Geared Motors SFS Size 2 with DC Motor 12 or 24V

**Housing:** Motor: Steel, zinc-plated. Gearbox: Aluminium.

Can be mounted in any position.

**Teeth:** Worm gear set made from plastic.

**Bearing:** Output side, plain bearing, motor side, ball bearing.

**Lubrication:** Maintenance free grease lubrication.

**Motor:** Brushed DC motor 12 V or 24 V, interference-free.

Change the direction of rotation by switching the polarity.

Protection class: IP 30.

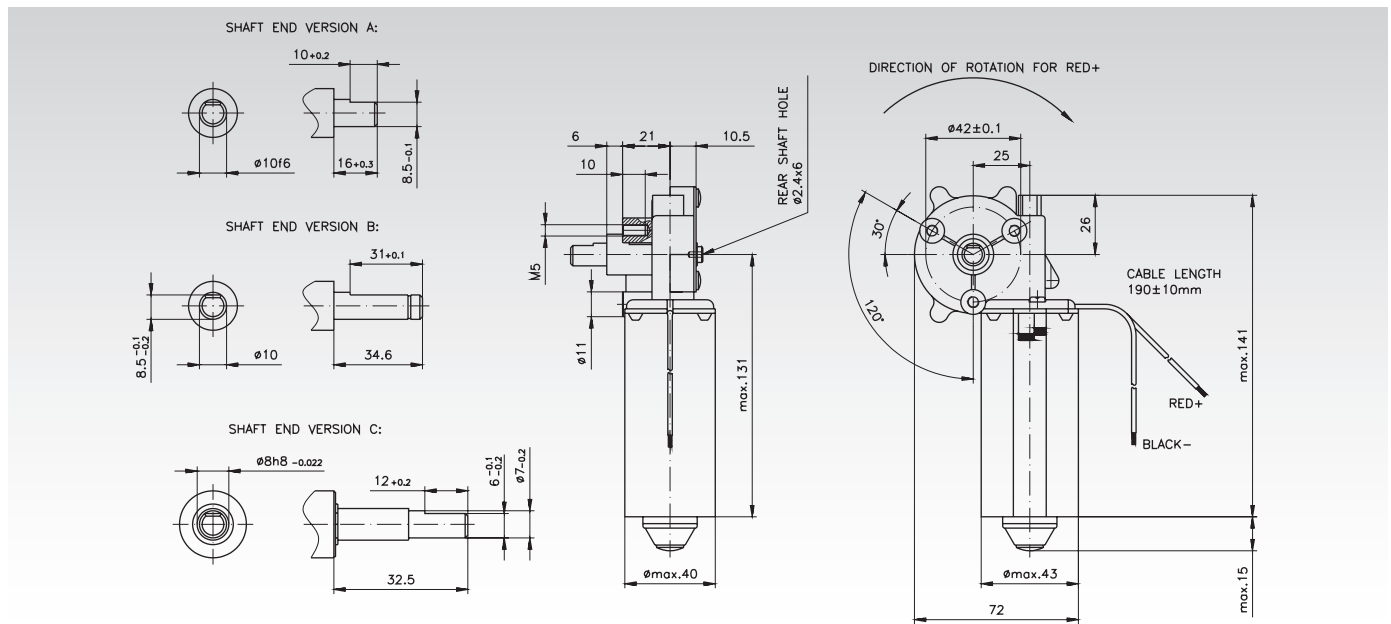
Operating mode: S2-10 min.

Permissible ambient operating temperature: -10 to +60°C.

Ideal drive for short term operation, e.g. for actuating devices.



Ordering Details: e.g.: Type, idle speed, Product No.



Product No.	Nominal Voltage V	Idle Speed $n_0$ min <sup>-1</sup>	Nominal Speed $n_N$ min <sup>-1</sup>	Nominal Torque $M_N$ Nm	Nominal Current $I_N$ A	Nominal Power $P_N$ W	Tightening Torque $M_A$ Nm	Ratio i	Shaft-End Type	Weight g
430 470 12	12	25	21,0	1,00	0,9	2,1	6	62:1	A	700
430 470 24	24	35	28,0	2,00	1,0	5,9	10	62:1	A	700
430 471 24	24	50	40,0	2,00	1,48	8,4	10	62:1	B	700
430 472 24	24	95	69,0	5,00	3,1	35,0	18	62:1	A	700
430 473 24	24	140	124,0	2,00	3,0	26,0	18	62:1	B	700
430 474 24	24	210	158,0	2,00	4,0	33,0	8	59:3	C	700

Permissible radial shaft load  $F_R$ : 60 N (10 mm from bearing collar).

Permissible axial shaft load  $F_A$ : 10 N tensile load or 15 N compressive load.

### Note

All values are averages, measured with the motor cold. Deviations of 10% are possible.

To prevent the gearbox from being overloaded, the stated limit loads must not be exceeded.

Other types on request.

### Factory interference suppression

