

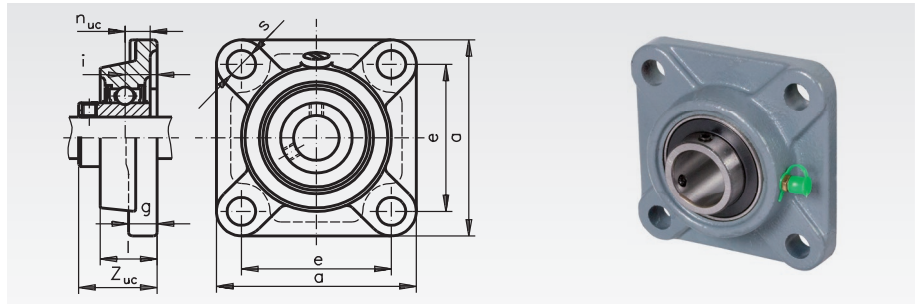
## Ball Flange Bearings UCF (Grey Cast Iron)

**Material:** Housing from grey cast iron.  
Rolling bearing from bearing steel.

The rolling bearing can be swiveled when mounting to compensate shaft misalignment. The shaft will get fastened with 2 setscrews. Lubricated for life at normal operating conditions. Re-lubricating is possible.

Technical explanations page 405.

Delivery with grease nipple.



Ordering Details: e.g.: Product No. 626 012 00, Ball Flange Bearing UCF 201, Bore 12mm

Product No.	UCF No.	Bore mm	a mm	e mm	i mm	g mm	l mm	s mm	Z <sub>uc</sub> mm	n <sub>uc</sub> mm	Bearing-Load Rating*		Weight kg
											dyn. C kN	stat. C <sub>0</sub> kN	
626 012 00	201	12	86	64	15	12	25,5	12	33,3	12,7	9,9	6,2	0,62
626 015 00	202	15	86	64	15	12	25,5	12	33,3	12,7	9,9	6,2	0,62
626 017 00	203	17	86	64	15	12	25,5	12	33,3	12,7	9,9	6,2	0,62
626 020 00	204	20	86	64	15	12	25,5	12	33,3	12,7	9,9	6,2	0,59
626 025 00	205	25	95	70	16	13	27,0	12	34,1	14,3	10,8	7,0	0,82
626 030 00	206	30	108	83	18	14	31,0	12	38,1	15,9	15,1	10,0	1,00
626 035 00	207	35	117	92	19	16	34,0	14	42,9	17,5	19,9	13,7	1,40
626 040 00	208	40	130	102	21	16	36,0	16	49,2	19,0	22,6	15,7	2,00
626 045 00	209	45	137	105	22	18	38,0	16	49,2	19,0	25,2	17,8	2,20
626 050 00	210	50	143	111	22	18	40,0	16	51,6	19,0	27,1	19,7	2,40
626 055 00	211	55	162	130	25	20	43,0	19	55,6	22,2	33,4	29,2	3,08
626 060 00	212	60	175	143	29	20	48,0	19	65,1	25,4	47,8	33,0	4,80
626 065 00	213	65	187	149	30	22	50,0	19	65,1	25,4	44,0	40,0	4,78
626 070 00	214	70	193	152	31	22	54,0	19	74,6	30,2	46,8	45,0	5,32
626 075 00	215	75	200	159	34	22	56,0	19	77,8	33,3	50,9	49,3	6,17
626 080 00	216	80	208	165	34	22	58,0	23	82,6	33,3	55,0	53,3	7,03

\* Maximum radial load if axial force = 0. The axial load rating is approx. 20% of the radial load rating.

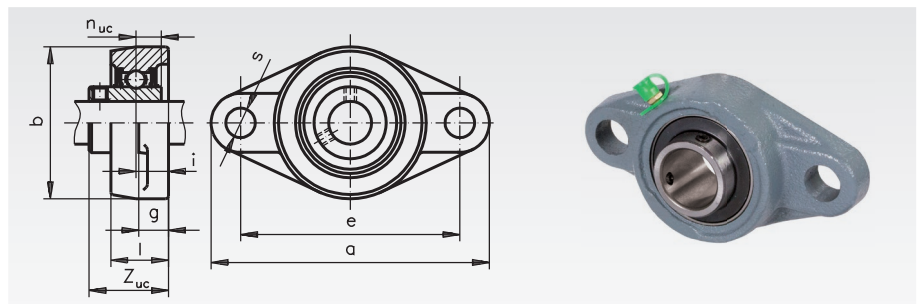
## Ball Flange Bearings UCFL (Grey Cast Iron)

**Material:** Housing from grey cast iron.  
Rolling bearing from bearing steel.

The rolling bearing can be swiveled when mounting to compensate shaft misalignment. The shaft will get fastened with 2 setscrews. Lubricated for life at normal operating conditions. Re-lubricating is possible.

Technical explanations page 405.

Delivery with grease nipple.



Ordering Details: e.g.: Product No. 626 112 00, Ball Flange Bearing UCFL 201, Bore 12mm

Product No.	UCFL No.	Bore mm	a mm	b mm	e mm	i mm	g mm	l mm	s mm	Z <sub>uc</sub> mm	n <sub>uc</sub> mm	Bearing-Load Rating*		Weight kg
												dyn. C kN	stat. C <sub>0</sub> kN	
626 112 00	201	12	113	60	90	15	11	25,5	12	33,3	12,7	9,9	6,2	0,48
626 115 00	202	15	113	60	90	15	11	25,5	12	33,3	12,7	9,9	6,2	0,48
626 117 00	203	17	113	60	90	15	11	25,5	12	33,3	12,7	9,9	6,2	0,48
626 120 00	204	20	113	60	90	15	11	25,5	12	33,3	12,7	9,9	6,2	0,45
626 125 00	205	25	130	68	99	16	13	27	16	35,7	14,3	10,8	7,0	0,60
626 130 00	206	30	148	80	117	18	13	31	16	40,2	15,9	15,1	10,0	0,90
626 135 00	207	35	161	90	130	19	15	34	16	44,1	17,5	19,9	13,7	1,20
626 140 00	208	40	175	100	144	21	15	36	16	51,2	19	22,6	15,7	1,60
626 145 00	209	45	188	108	148	22	16	38	19	52,2	19	25,2	17,8	1,90
626 150 00	210	50	197	115	157	22	16	40	19	54,6	19	27,1	19,7	2,20

\* Maximum radial load if axial force = 0. The axial load rating is approx. 20% of the radial load rating.