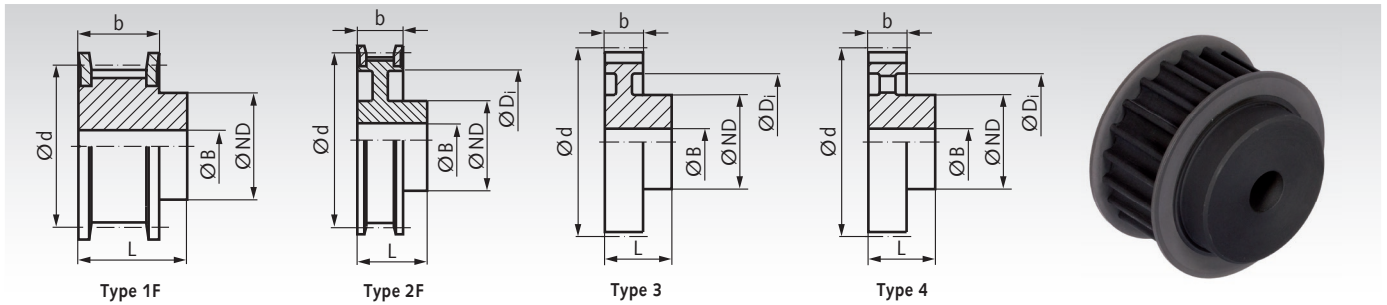


HTD Pulleys Profile 8M



Material: Up to a Teeth Number of 72 phosphated steel, from a Teeth Number of 80 phosphated grey cast iron GG25.

These HTD pulleys are manufactured pitch-true with special cutters. This leads to a precise meshing of teeth.

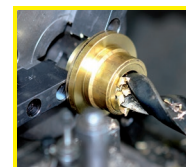
Ordering Details: e.g.: Product No. 174 111 00, Pulleys, Pitch 8 mm, 22 Teeth, Timing Belt Width 20 mm

Profile 8M, Timing Belt Width 20 mm

Product No. Belt Width 20mm	Number of teeth	Type	Outside-Ø		d mm	ND mm	b mm	L mm	Di mm	Pilot Bore B mm	Custom Bore B max. mm	Weight kg
			Pulley mm	Flange mm								
174 111 00	22	1F	54,65	60	56,02	43	28	38	-	12	25	0,535
174 112 00	24	1F	59,74	66	61,12	45	28	38	-	12	28	0,645
174 112 50	25	1F	62,29	66	63,66	45	28	38	-	12	28	
174 113 00	26	1F	64,84	71	66,21	48	28	38	-	12	30	0,753
174 114 00	28	1F	70,08	75	71,30	50	28	38	-	14	30	0,859
174 115 00	30	1F	75,12	83	76,39	55	28	38	-	14	32	1,02
174 116 00	32	1F	80,17	87	81,49	60	28	38	-	14	35	1,19
174 117 00	34	1F	85,21	91	86,58	66	28	38	-	14	42	1,36
174 118 00	36	1F	90,30	98,5	91,67	70	28	38	-	14	42	1,55
174 119 00	38	1F	95,39	103	96,77	75	28	38	-	14	45	1,74
174 120 00	40	1F	100,49	106	101,86	75	28	38	-	14	45	1,90
174 122 00	44	1F	110,67	119	112,05	75	28	38	-	14	45	2,27
174 124 00	48	1F	120,86	127	122,23	75	28	38	-	14	45	2,66
174 128 00	56	2F	141,23	148	142,60	80	28	38	116	14	45	2,85
174 132 00	64	2F	161,60	168	162,97	80	28	38	137	14	45	3,28
174 136 00	72	2F	181,97	192	183,35	80	28	38	158	14	45	3,82
174 140 00	80	3	202,35	-	203,72	90	28	38	180	14	50	4,32
174 145 00	90	3	227,81	-	229,18	90	28	38	204	14	50	5,04
174 156 00	112	3	283,83	-	285,21	90	28	38	254	18	75	

Profile 8M, Timing Belt Width 30 mm

Product No. Belt Width 30mm	Number of teeth	Type	Outside-Ø		d mm	ND mm	b mm	L mm	Di mm	Pilot Bore B mm	Custom Bore B max. mm	Weight kg
			Pulley mm	Flange mm								
174 211 00	22	1F	54,65	60	56,02	43	38	48	-	12	25	0,683
174 212 00	24	1F	59,74	66	61,12	45	38	48	-	12	28	0,827
174 212 50	25	1F	62,29	66	63,66	45	38	48	-	12	28	
174 213 00	26	1F	64,84	71	66,21	50	38	48	-	12	30	0,979
174 214 00	28	1F	70,08	75	71,30	50	38	48	-	14	30	1,11
174 215 00	30	1F	75,12	83	76,39	55	38	48	-	14	32	1,31
174 216 00	32	1F	80,17	87	81,49	60	38	48	-	14	35	1,52
174 217 00	34	1F	85,21	91	86,58	66	38	48	-	14	42	1,74
174 218 00	36	1F	90,30	98,5	91,67	70	38	48	-	14	42	1,98
174 219 00	38	1F	95,39	103	96,77	75	38	48	-	14	45	2,23
174 220 00	40	1F	100,49	106	101,86	75	38	48	-	14	45	2,47
174 222 00	44	1F	110,67	119	112,05	75	38	48	-	14	45	2,95
174 224 00	48	1F	120,86	127	122,23	75	38	48	-	14	45	3,47
174 228 00	56	2F	141,23	148	142,60	90	38	48	116	14	50	4,00
174 232 00	64	2F	161,60	168	162,97	90	38	48	137	14	50	4,56
174 236 00	72	2F	181,97	192	183,35	95	38	48	158	14	55	5,41
174 240 00	80	3	202,35	-	203,72	100	38	48	180	14	60	5,71
174 245 00	90	3	227,81	-	229,18	100	38	48	204	14	60	6,65
174 256 00	112	4	283,83	-	285,21	100	38	48	254	18	75	6,80



**Reworking within
24h-service possible.
Custom made parts
on request.**