

## Rubber-Metal Buffers MGH, Hollow Design, with Mounting Bore

**Material:** Elastomer: Rubber NBR, black, hardness 55° Shore A.  
Metal part: Stainless steel 1.4301.

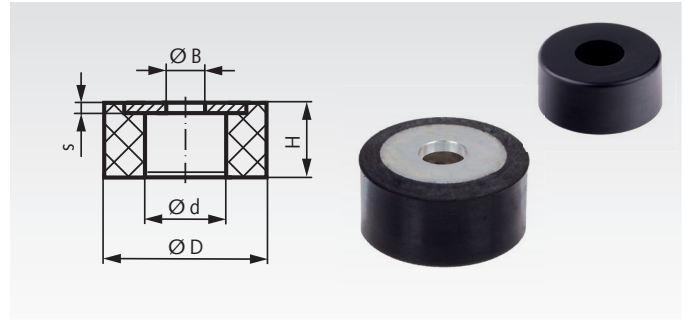
Hollow design. One side metal, with mounting bore for allen screw DIN 912.



Due to the hollow design, these elements are particularly suitable as end stops. Also usable as elastic machine feet. The grade of rubber has perfect physical properties.

Temperature resistant up to +100°C (for short time +120°C).

Other sizes, Shore hardnesses or elastomer types on request.



Ordering Details: e.g.: Product No. 689 211 50, Rubber-Metal Buffer MGH 15 x 8 mm, Bore 4.3 mm

Product No. Stainless	D mm	H mm	B mm	d mm	s mm	Pressure Load		Travel ±20% at F <sub>perm.</sub> mm	Weight g
						Spring Load CD medium N/mm	Permiss. Load F <sub>perm.</sub> N		
689 211 50	15	8	4,3	8	1,0	82	160	2	2,0
689 212 00	20	10	5,3	10	1,2	111	280	2,5	4,6
689 212 50	25	12	6,4	12,5	1,5	149	430	3	8,7
689 213 50	35	15	8,4	14	2,0	291	1140	4	22,6
689 214 50	45	20	8,4	18	2,0	321	1640	5	47,3
689 214 51	45	20	10,5	18	2,5	336	1640	5	49,2
689 216 00	60	25	8,4	20	2,0	509	3100	6	104
689 216 01	60	25	10,5	20	2,5	539	3100	6	108
689 216 02	60	25	13,0	20	3,0	541	3100	6	110
689 217 50	75	30	10,5	22	2,5	670	5000	7,5	199
689 217 51	75	30	13,0	22	3,0	674	5000	7,5	204