

## Double-Strand Roller Chains DIN ISO 606 (ex DIN 8187)

**Material:** Special chain steels.

High-quality duplex roller chains, pre-stretched according to DIN.

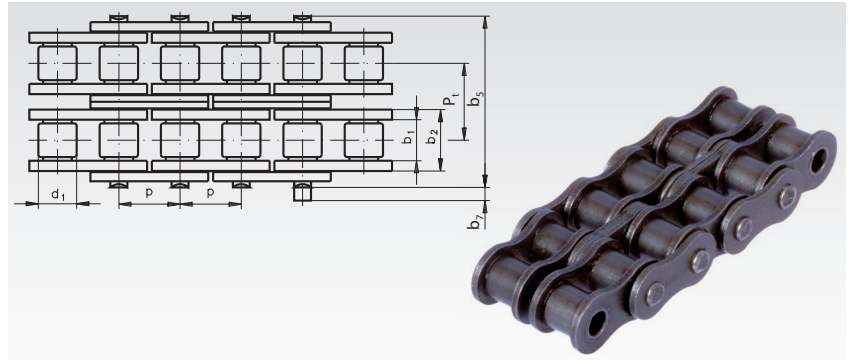
Notes regarding the performance calculation on page 36.

Waisted link plates (size 06 with straight link plates).

Chains are supplied with an uneven number of links, with inner links at both ends. Connecting links must be ordered separately.

**Temperature range:** -20°C to +120°C.

Other temperatures are possible if special grease is used.



**Ordering Details:** e.g.: Product No. 120 000 00,  
Double-Strand Roller Chain, 05 B-2

DIN ISO-No.	Product No.	Pitch x Inner Width p x b <sub>1min</sub>		Inner Link Width b <sub>2</sub>	Roller- Ø d <sub>1</sub>	Width b <sub>5</sub>	Transverse Pitch P <sub>t</sub>	Projection b <sub>7</sub> <sup>2)</sup>	Breaking Load min. N	Weight kg/m	
		mm	inch								
05 B-2	120 000 00	8,0	x 3,0	-	4,77	5,00	14,3	5,64	3,1	7800	0,36
06 B-2 <sup>1)</sup>	121 000 00 <sup>1)</sup>	9,525	x 5,72	3/8 x 7/32	8,53	6,35	23,8	10,24	3,3	16900	0,78
08 B-2	125 000 00	12,7	x 7,75	1/2 x 5/16	11,30	8,51	31,0	13,92	3,9	31100	1,36
10 B-2	126 000 00	15,875	x 9,65	5/8 x 3/8	13,28	10,16	36,2	16,59	4,1	44500	1,82
12 B-2	127 000 00	19,05	x 11,68	3/4 x 7/16	15,62	12,07	42,2	19,46	4,6	57800	2,38
16 B-2	128 000 00	25,4	x 17,02	1" x 17,02mm	25,45	15,88	68,0	31,88	5,4	106000	5,40
20 B-2	129 000 00	31,75	x 19,56	1 1/4 x 3/4	29,01	19,05	79,7	36,45	6,1	170000	7,20
24 B-2	129 500 00	38,1	x 25,4	1 1/2 x 1	37,92	25,40	101,8	48,36	6,6	280000	13,50

<sup>1)</sup> With straight link plates.

<sup>2)</sup> Maximum values at the link.

### Attention please: Packing Unit 5m

If special lengths are needed, please tell us the length and the number of links (uneven number!). Connecting links have to be ordered separately.

## Connecting Links for Double-Strand Roller Chains DIN ISO 606 (ex DIN 8187)

**Material:** Special chain steels.



No. 11/E: Connecting Link with Spring Clip  
Nr. 10/S: Connecting Link with Cottered Pin



No. 12/L: Cranked Link with Cottered Pin



No. 15/C: Cranked Double Link



No. 4/B: Inner Link (2 pieces required)

**Details:** e.g.:

Product No. 120 003 00,  
Connecting Link No. 11/E, 05 B-2

DIN ISO No.	Product No. Conn. Link No. 11/E	Product No. Conn. Link No. 10/S	Weight g	Product No. Cranked Link No. 12/L <sup>1)</sup>	Weight g	Product No. Crkd. Double No. 15/C <sup>1)</sup>	Weight g	Product No. Inner Link No. 4/B <sup>2)</sup>	Weight g
05 B-2	120 003 00	-	2	-	-	120 005 00	6	100 801 00	1,4
06 B-2	121 003 00	-	7	121 004 00	7	121 005 00	15	101 001 00	4
08 B-2	125 003 00	-	17	125 004 00	18	125 005 00	38	105 001 00	9
10 B-2	126 003 00	-	24	126 004 00	30	126 005 00	62	106 001 00	16
12 B-2	127 003 00	-	39	127 004 00	47	127 005 00	99	107 001 00	25
16 B-2	128 003 00	-	122	128 004 00	137	128 005 00	183	108 001 00	79
20 B-2	-	129 002 00	163	129 004 00	183	-	-	109 001 00	129
24 B-2	-	129 502 00	305	129 504 00	343	-	-	110 001 00	268

<sup>1)</sup> With cranked links, power and breaking load are reduced by 20%.

<sup>2)</sup> 2 pieces required.