

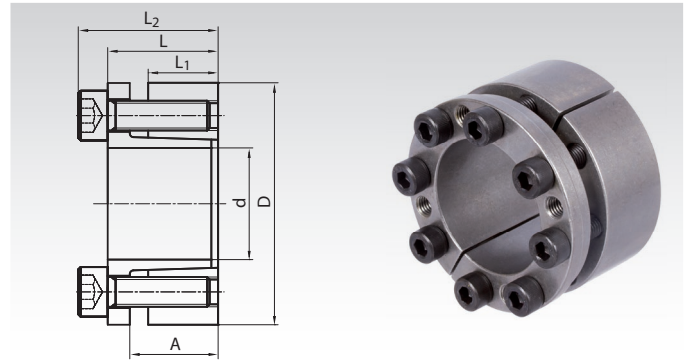
## Locking Assemblies COM-D

Material: Steel.

- For fixing a hub (e.g. drive wheel, rotor or similar) on a shaft.
- For high torques.
- Self-centering.
- Slight axial offset possible during assembly.

Concentricity: 0.02 to 0.04 mm.

Ordering Details: e.g.: Product No. 615 570 19,  
Locking Assembly COM-D, 19 mm



Product No.	d mm	D mm	L <sub>1</sub> mm	A mm	L mm	L <sub>2</sub> mm	at T <sub>A</sub> transmittable		Surface Pressure		Screws DIN 912 12.9 Number x size	T <sub>A</sub> Nm	Weight kg
							T Nm	F <sub>ax</sub> kN	Shaft P <sub>w</sub> N/mm <sup>2</sup>	Hub P <sub>N</sub> N/mm <sup>2</sup>			
615 570 19	19	47	26	31	39	45	353	31	228	98	6x M6x25	17	0,39
615 570 20	20	47	26	31	39	45	530	52	274	118	6x M6x25	17	0,37
615 570 22	22	47	26	31	39	45	582	52	247	116	6x M6x25	17	0,35
615 570 24	24	50	26	31	39	45	650	53	244	120	6x M6x25	17	0,40
615 570 25	25	50	26	31	39	45	680	54	216	110	6x M6x25	17	0,38
615 570 28	28	55	26	31	39	45	760	56	200	105	6x M6x25	17	0,45
615 570 30	30	55	26	31	39	45	850	56	192	109	6x M6x25	17	0,43
615 570 32	32	60	26	31	39	45	1130	70	228	121	8x M6x25	17	0,53
615 570 35	35	60	26	31	39	45	1220	71	206	120	8x M6x25	17	0,50
615 570 38	38	65	26	31	39	45	1370	71	198	114	8x M6x25	17	0,60
615 570 40	40	65	26	31	39	45	1410	72	184	112	8x M6x25	17	0,56
615 570 42	42	75	30	36	47	55	2170	100	219	122	6x M8x30	41	0,95
615 570 45	45	75	30	36	47	55	2330	100	204	122	6x M8x30	41	0,92
615 570 48	48	80	30	36	47	55	2480	100	194	117	6x M8x30	41	1,10
615 570 50	50	80	30	36	47	55	2560	100	182	116	6x M8x30	41	1,00
615 570 55	55	85	30	36	47	55	3700	130	222	141	8x M8x30	41	1,10
615 570 60	60	90	30	36	47	55	3800	140	192	130	8x M8x30	41	1,16
615 570 65	65	95	30	36	47	55	4600	140	194	131	8x M8x30	41	1,20
615 570 70	70	110	40	46	61	71	7700	220	209	133	8x M10x35	83	2,30
615 570 75	75	115	40	46	61	71	8100	220	192	126	8x M10x35	83	2,50
615 570 80	80	120	40	46	61	71	8600	220	182	121	8x M10x35	83	2,70
615 570 85	85	125	40	46	61	71	11600	270	214	148	10x M10x35	83	2,90
615 570 90	90	130	40	46	61	71	12000	270	200	135	10x M10x35	83	3,20
615 570 95	95	135	40	46	61	71	13000	280	196	134	10x M10x35	83	3,50
615 571 00	100	145	46	52	70	82	15000	300	173	120	8x M12x40	145	4,00

More sizes up to d=180mm for 58,900Nm are available.

Price and delivery time on request.

T = transmittable torque at F<sub>ax</sub> = 0.

F<sub>ax</sub> = transmittable axial force at T = 0.

P<sub>w</sub> = surface pressure onto the shaft.

P<sub>N</sub> = surface pressure onto the hub.

T<sub>A</sub> = fastening torque of the screws.

### Fit

Shaft h8, Hub H8.  
Surface roughness hub/shaft max.  
12.5µm.

### Mounting

Slightly oil the locking assembly before mounting, do not use MoS2 or grease.  
Tighten the screws evenly and crosswise in several steps to the set torque.

### Demounting

Remove all tensioning screws and screw them into the unused forcing threads of the front tensioning ring, until it is released.