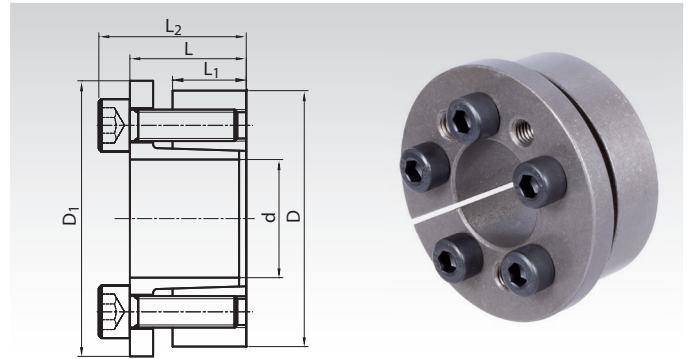


Locking Assemblies COM-CB3

Material: Steel.

- For fixing a hub (e.g. drive wheel, rotor or similar) on a shaft.
- 3 Ranges of sizes, for middle, higher and very high torques.
- Compact size in axial direction.
- Self-centering.
- Self-locking.
- No axial movement during mounting.

Ordering Details: e.g.: Product No. 615 577 14, Locking Assembly COM-CB3, 14 mm



Product No.	d	D	L	L ₁	L ₂	D ₁	T	F _{ax}	P _W	P _N	Screws 12.9	T _A	Weight
Light series	mm	mm	mm	mm	mm	mm	Nm	kN	N/mm ²	N/mm ²	Number x Size	Nm	kg
615 577 14	14	55	30	17	38	62	120	17	207	56	3 x M8	25	0,49
615 577 16	16	55	30	17	38	62	136	18	175	53	3 x M8	25	0,48
615 577 18	18	55	30	17	38	62	150	18	163	56	3 x M8	25	0,47
615 577 19	19	55	30	17	38	62	170	19	158	58	3 x M8	25	0,47
615 577 20	20	55	30	17	38	62	160	17	141	53	3 x M8	25	0,46
615 577 22	22	55	30	17	38	62	290	26	189	77	3 x M8	35	0,45
615 577 24	24	55	30	17	38	62	290	24	165	73	3 x M8	35	0,43
615 577 25	25	55	30	17	38	62	300	24	160	73	3 x M8	35	0,42
615 577 28	28	55	30	17	38	62	430	31	173	89	3 x M8	41	0,40
615 577 30	30	55	30	17	38	62	450	30	158	86	3 x M8	41	0,38
Medium series													
615 578 24	24	65	30	17	38	72	430	40	237	87	5 x M8	30	0,63
615 578 25	25	65	30	17	38	72	440	40	221	86	5 x M8	30	0,62
615 578 28	28	65	30	17	38	72	610	40	248	107	5 x M8	35	0,59
615 578 30	30	65	30	17	38	72	590	40	222	103	5 x M8	35	0,57
615 578 32	32	65	30	17	38	72	660	40	202	100	5 x M8	35	0,56
615 578 35	35	65	30	17	38	72	950	50	243	131	5 x M8	41	0,52
615 578 38	38	65	30	17	38	72	1000	50	218	127	5 x M8	41	0,49
615 578 40	40	65	30	17	38	72	1090	50	213	131	5 x M8	41	0,47
Heavy series													
615 579 30	30	80	33	20	41	87	800	50	239	90	7 x M8	30	1,02
615 579 32	32	80	33	20	41	87	860	50	226	90	7 x M8	30	1,01
615 579 35	35	80	33	20	41	87	1100	60	239	105	7 x M8	35	0,98
615 579 38	38	80	33	20	41	87	1200	60	223	106	7 x M8	35	0,94
615 579 40	40	80	33	20	41	87	1200	60	203	102	7 x M8	35	0,91
615 579 42	42	80	33	20	41	87	1500	70	228	120	7 x M8	41	0,88
615 579 45	45	80	33	20	41	87	1600	70	215	121	7 x M8	41	0,84
615 579 48	48	80	33	20	41	87	1700	70	197	118	7 x M8	41	0,78
615 579 50	50	80	33	20	41	87	1800	70	195	122	7 x M8	41	0,74

T = transmittable torque at $F_{ax} = 0$.
 F_{ax} = transmittable axial force at $T = 0$.
 P_W = surface pressure onto the shaft.
 P_N = surface pressure onto the hub.
 T_A = fastening torque of the screws.

Hub Calculation and Selection Tool

on the Internet at www.maedler.de

in the section **MÄDLER®-Tools**

Fit

Shaft h8, Hub H8.
Surface roughness max. 12.5µm.

Mounting

Slightly oil the locking assembly before mounting, do not use molybdenum disulphide or grease. Tighten the screws evenly and crosswise in several steps.

Demounting

Remove all tensioning screws and screw them into the (usually unused) forcing thread of the front flange, until the flange is released.