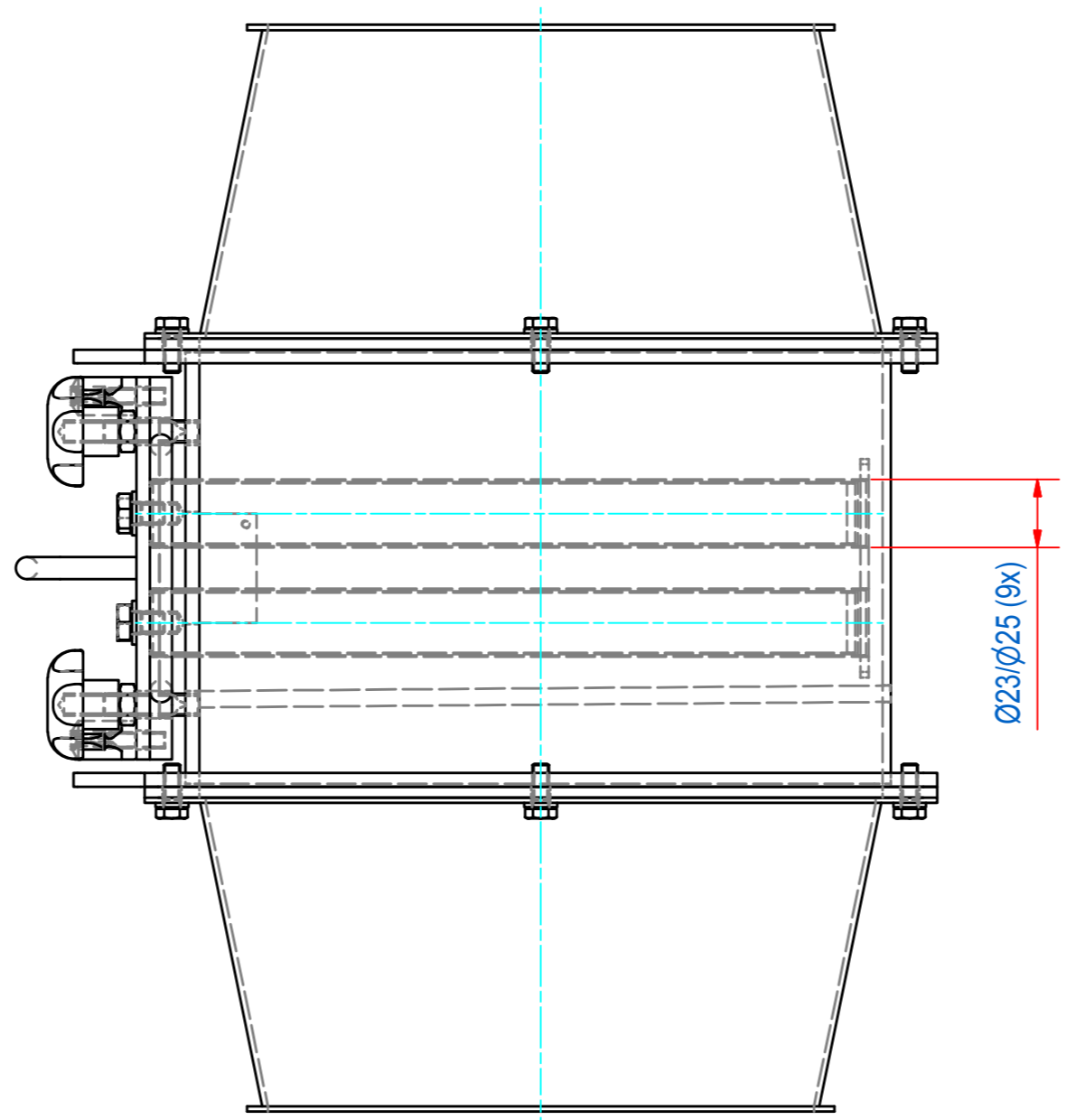
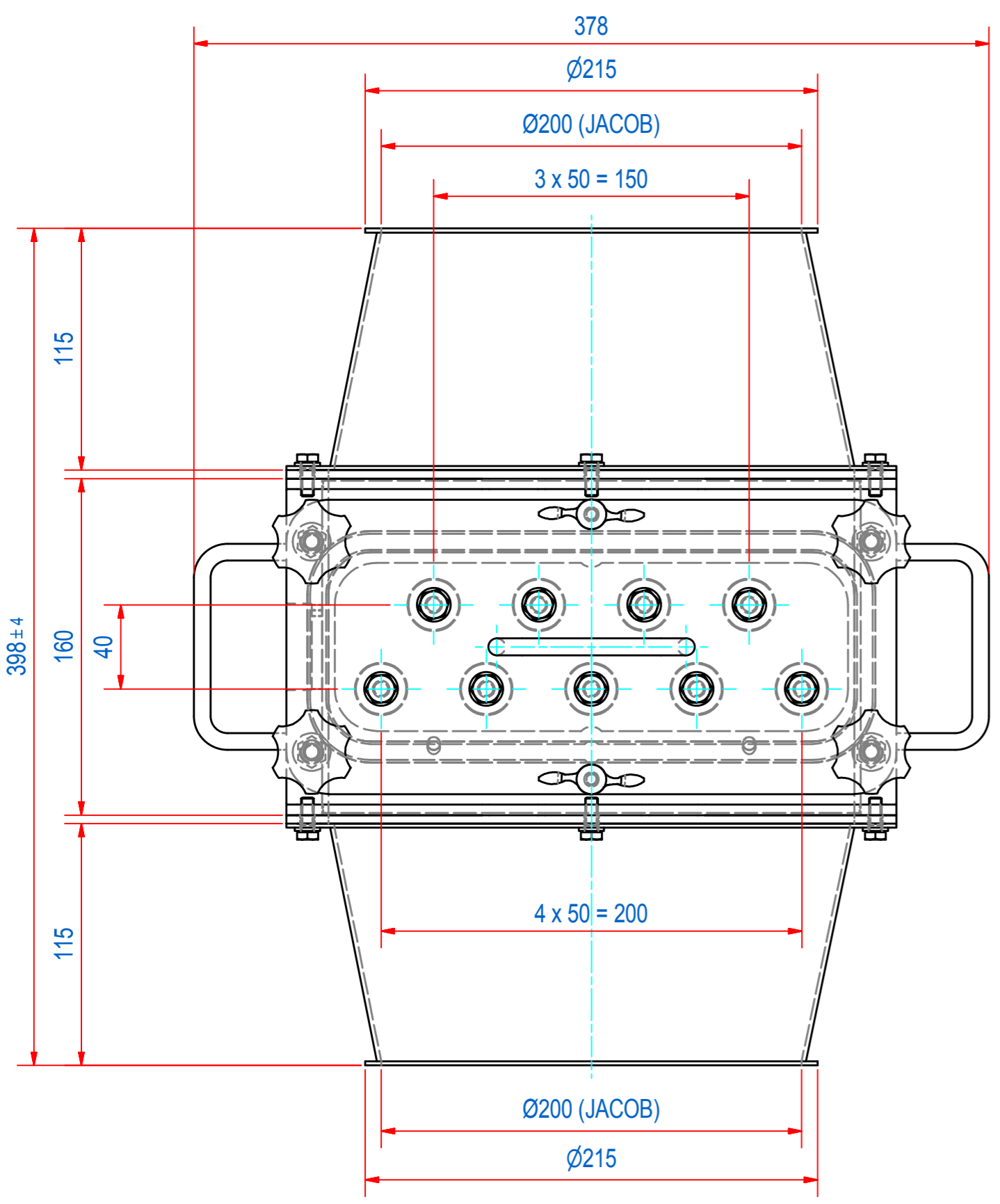
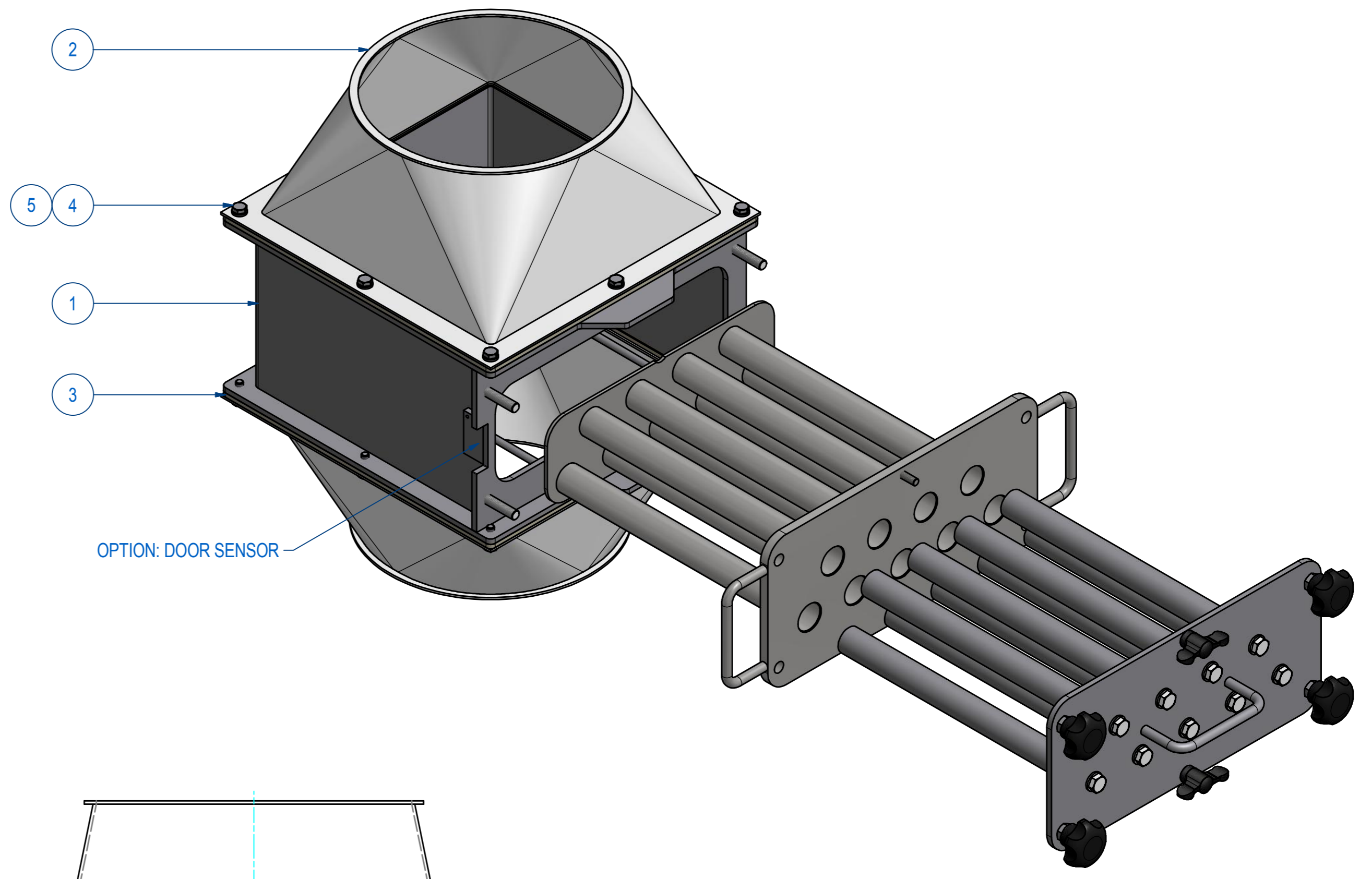
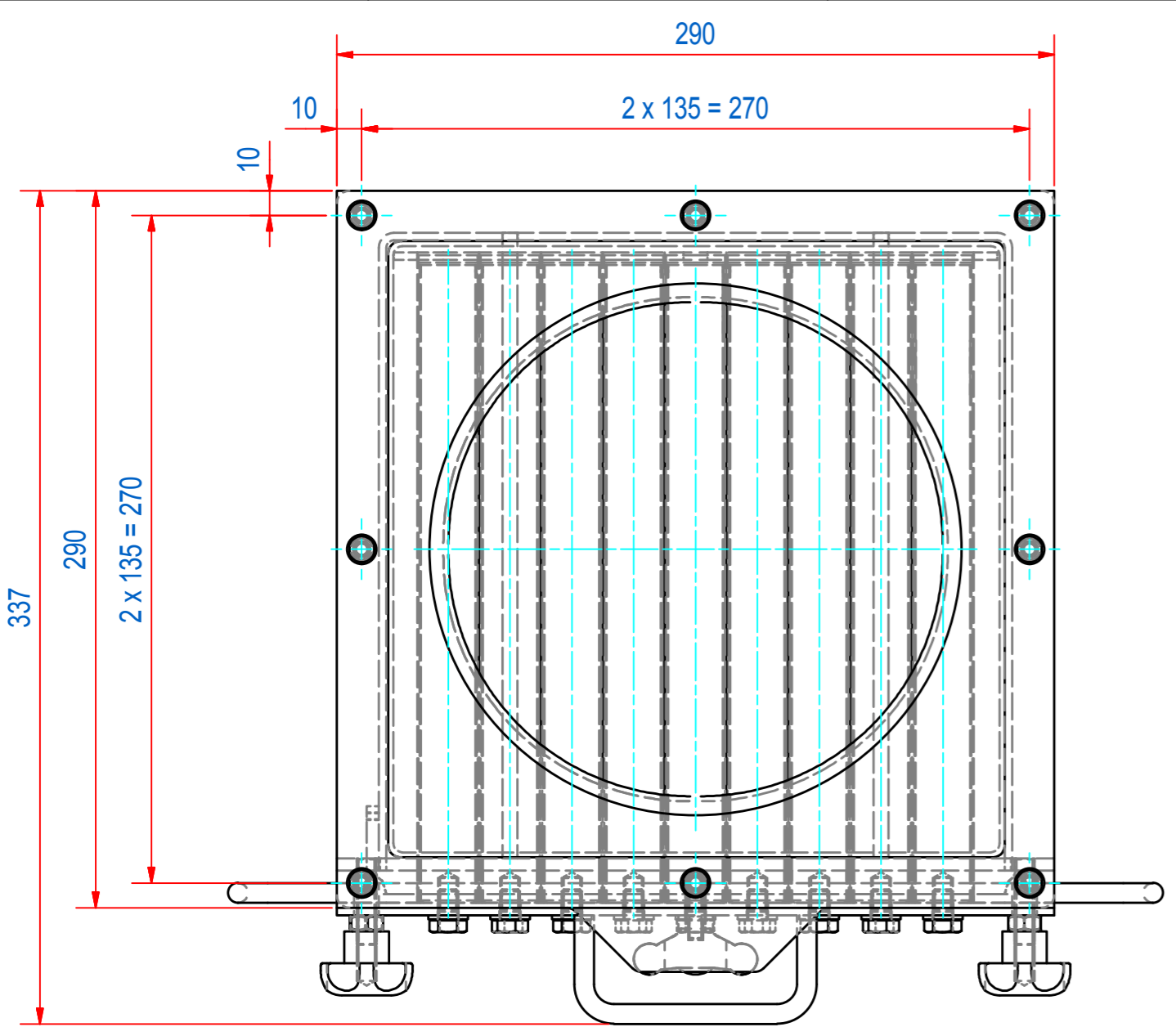


REV	DATE	BY	DESCRIPTION
-	11-9-2014	CR	NEW REVISION VAULT, NOTHING CHANGED, OLD REV WAS A



ITEM	QTY	PART NUMBER	DESCRIPTION	Dimensions
5	16	70.0300006	WASHER M 6 - A4	M 6
4	16	50.1306016	BOLT, HEX M6 x 16-A4	M6 x 16
3	2	P250265	GASKET CFP200 EC1935	
2	2	95.2009906	JACOB RED #250-D200 H115 316L	
1	1	SECFP25030	SECF-P-2525-9E-N-F1m-B-S-B	

RAW MAT.	QTY	MAT. NUMBER	MAT. DESCRIPTION	LENGTH (mm)	WIDTH (mm)
1	1				

Sheet: A2	Extra info:	General tolerance: ISO 2768 - mK
Drawn: CR	Weight (kg): 22,9	Drawn according: ISO268; ISO1101; ISO2553
Date: 30-10-2012		Status: Standard
Spare part: False		Customer reference number:
Quick search: CFQ200	<p>© All rights reserved. Reproduction is not permitted without written permission of GOUDSMIT Magnetic Systems BV</p>	File number: SECFQ20030
Description: SECF-P-D200-09E-N-F1m-W-B-B		Part number: SECFQ20030