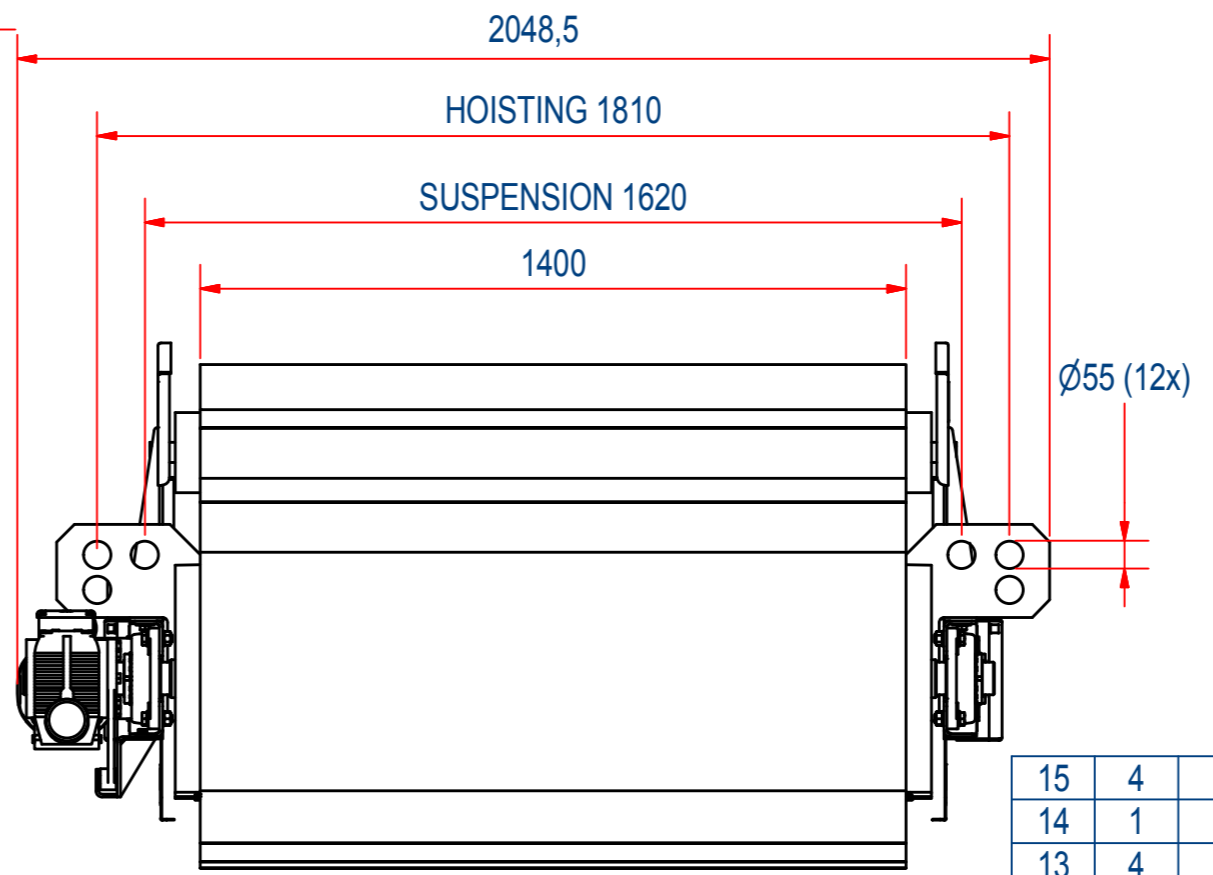
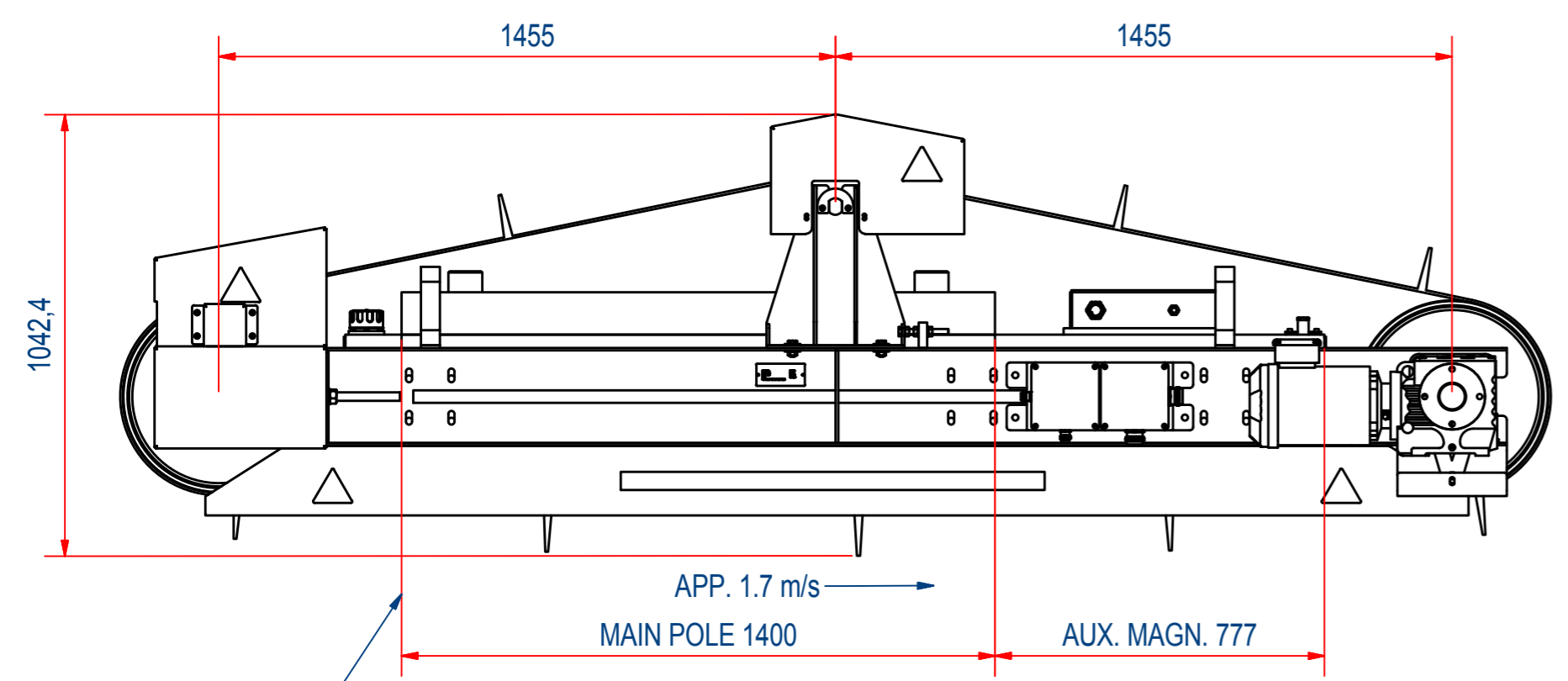
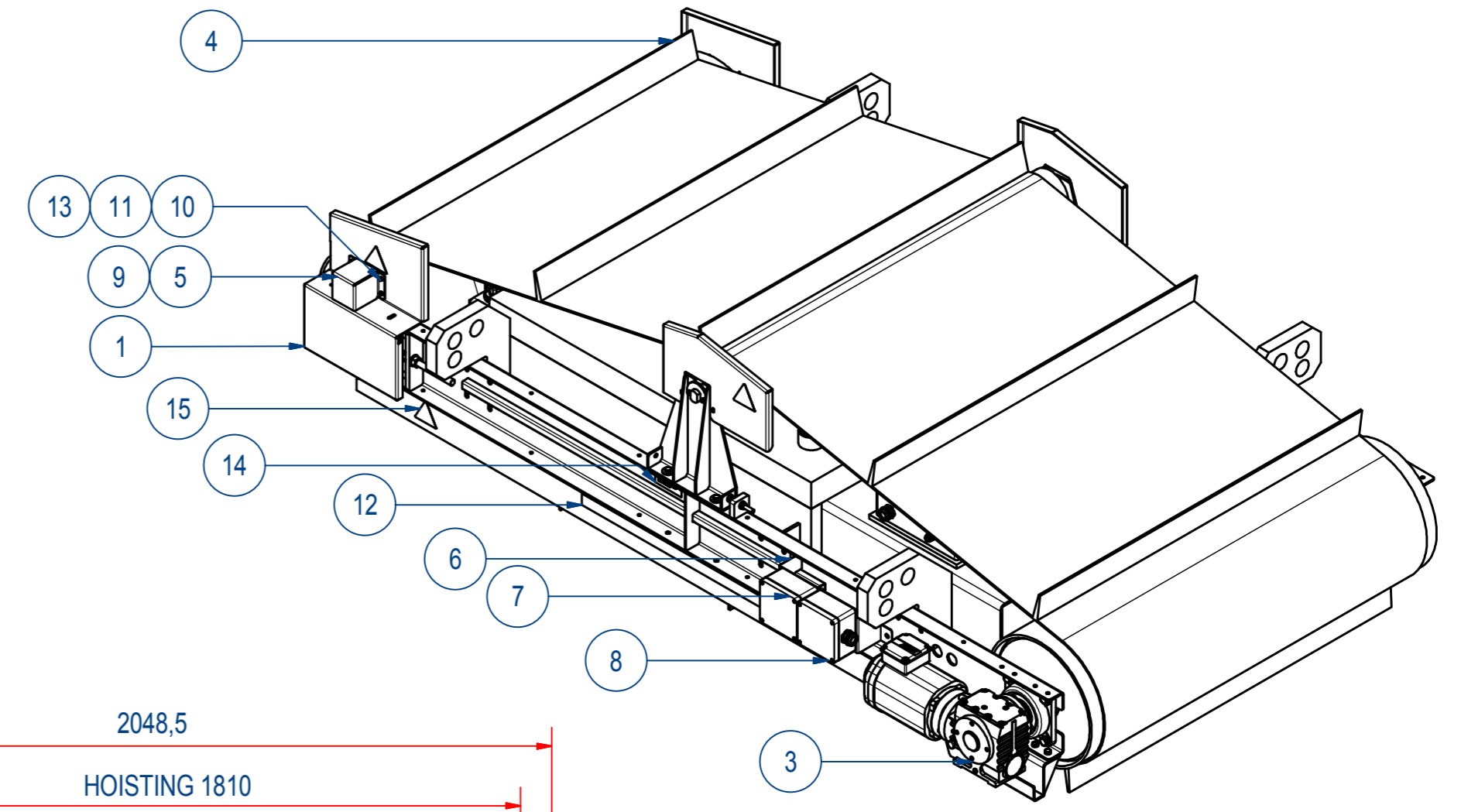
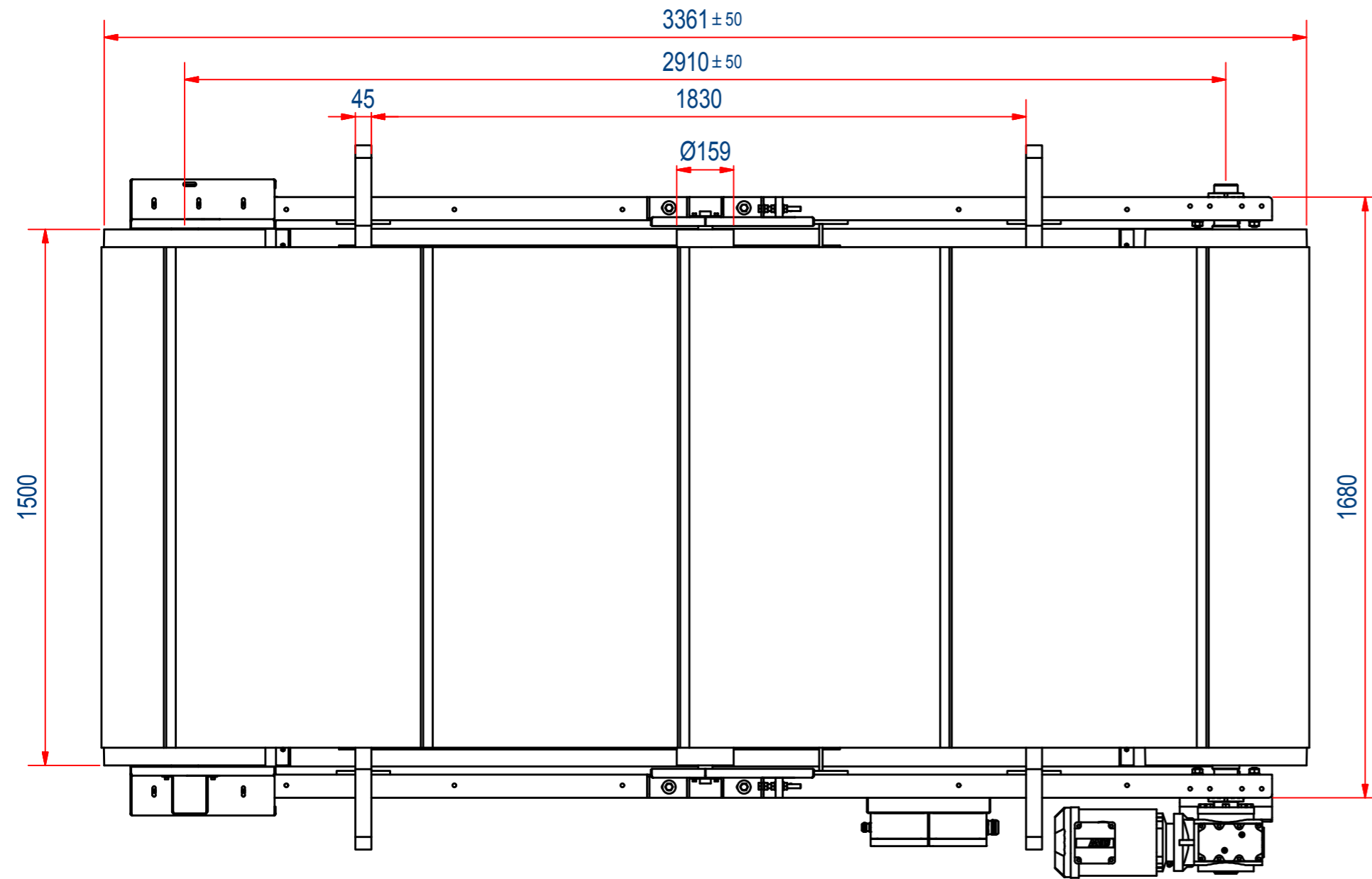


REV	DATE	BY	DESCRIPTION
-	11-11-2013	BS	ORIGINAL DRAWING
A	20-3-2018	TT	HOLE HOISTING PLATE ADDED, WEIGHT CHANGED
B	29-5-2018	TT	STICKER CHANGED, HOLES ADDED FOR CAGE AND GREASING SYSTEM, TYPE PLATE ADDED

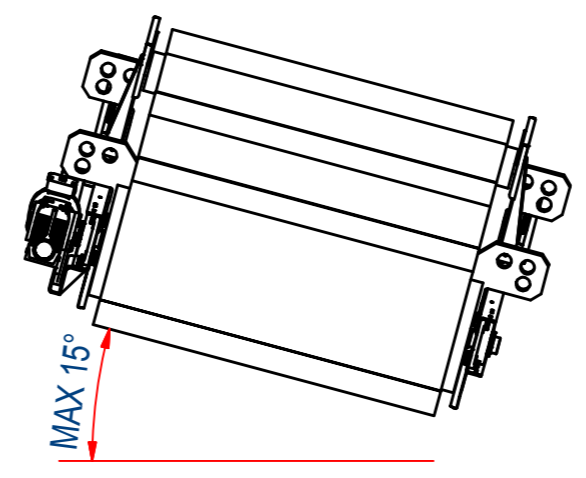
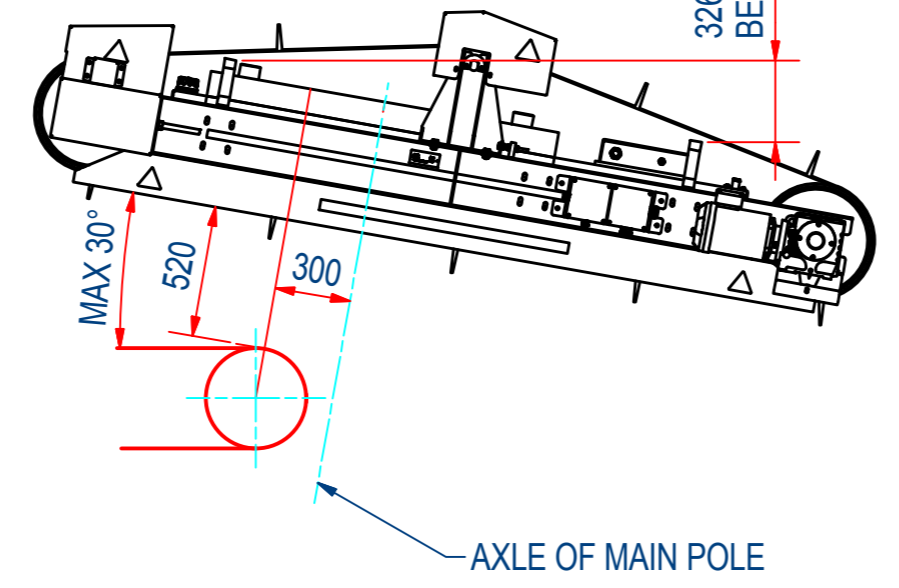
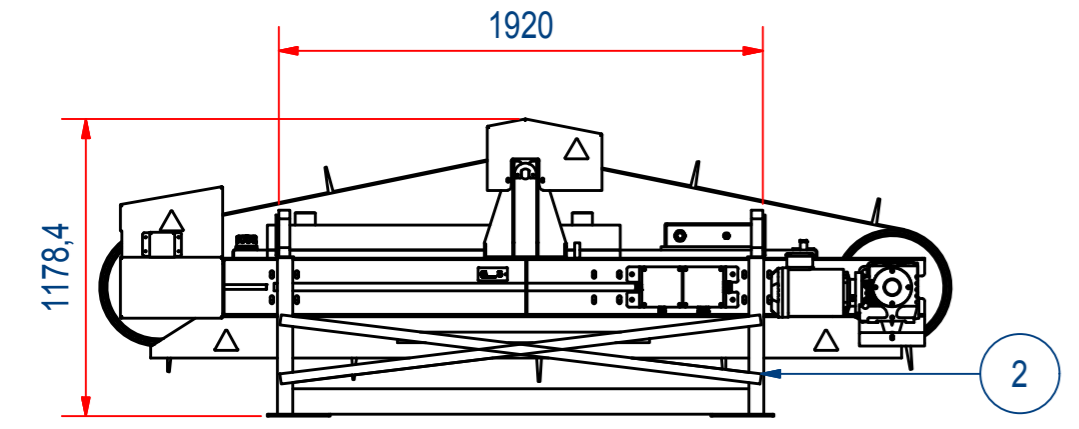


ITEM	QTY	PART NUMBER	DESCRIPTION	Dimensions
15	4	1000.20074	STICKER MAGNET CLAMPING 90mm	
14	1	E0093913	DATA PLATE SEEB	
13	4	60.0100006	NUT, HEX M6 - St8 Zn	M6
12	2	E0062764	STICKER WEBSITE W1000x43MM	
11	4	51.0106016	SCREW, HEX SH M6 x 16 - St8.8 Zn	M6 x 16
10	8	70.0100006	WASHER M6 - St.Zn	M 6
9	1	E0010085	COVER SENSOR	
8	1	E0026685	ASSY DRAW. CONN. BOX 1 SEEB	
7	1	E0026689	ASSY DRAW. CONN. BOX 2 SEEB	
6	1	E0092797	PLATE SEEB14	
5	1	EITA036049	PROX SW M30 ROT XSAV11373EX 2D	
4	1	45.1140002	CONV.BELT EP400/3 4+2 W:1400	
3	1	MO30006901	SEW SA67-T-DV100L4 69rpm	
2	1	M13253	TRANSPORT FRAME EB1400	
1	1	E0010227	ASSY ELEC. OVERBELD MAGN EB1400	

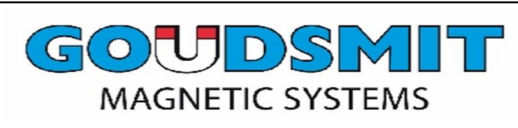
START MAGNETIC FIELD

326 - HEIGHT DIFFERENCE BETWEEN BACK AND FRONT

SITUATION SKETCH



RAW MAT.	QTY	MAT. NUMBER	MAT. DESCRIPTION	LENGTH (mm)	WIDTH (mm)
Sheet:	A2	Extra info: 10,4kW / 7,6kW SPEED BELT 1,7m/s		General tolerance: ISO 2768 - mK	
Drawn:	BS	Weight (kg):	5670,2	Drawn according: ISO268; ISO1101; ISO2553	
Date:	11-11-2013	Status: Released		Customer reference number:	
Spare part:	False	File number: SEEB140023		Rev: B	
Quick search:	EB140023	Part number: SEEB140023		Rev: B	
Description:	ROE-08-C-140-W-G-R-B-R-B-B-NA				



© All rights reserved. Reproduction is not permitted without written permission of GOUDSMIT Magnetic Systems BV