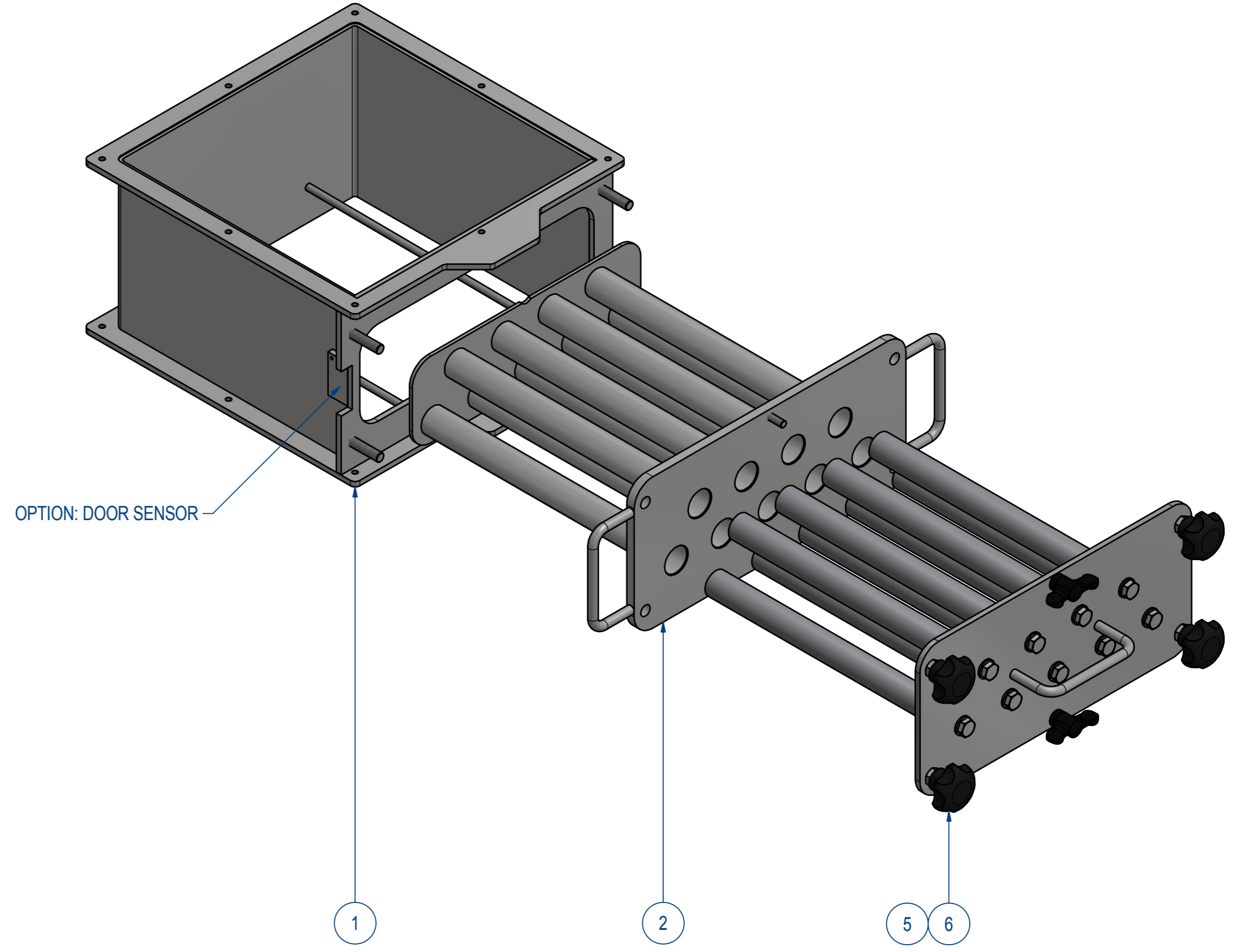
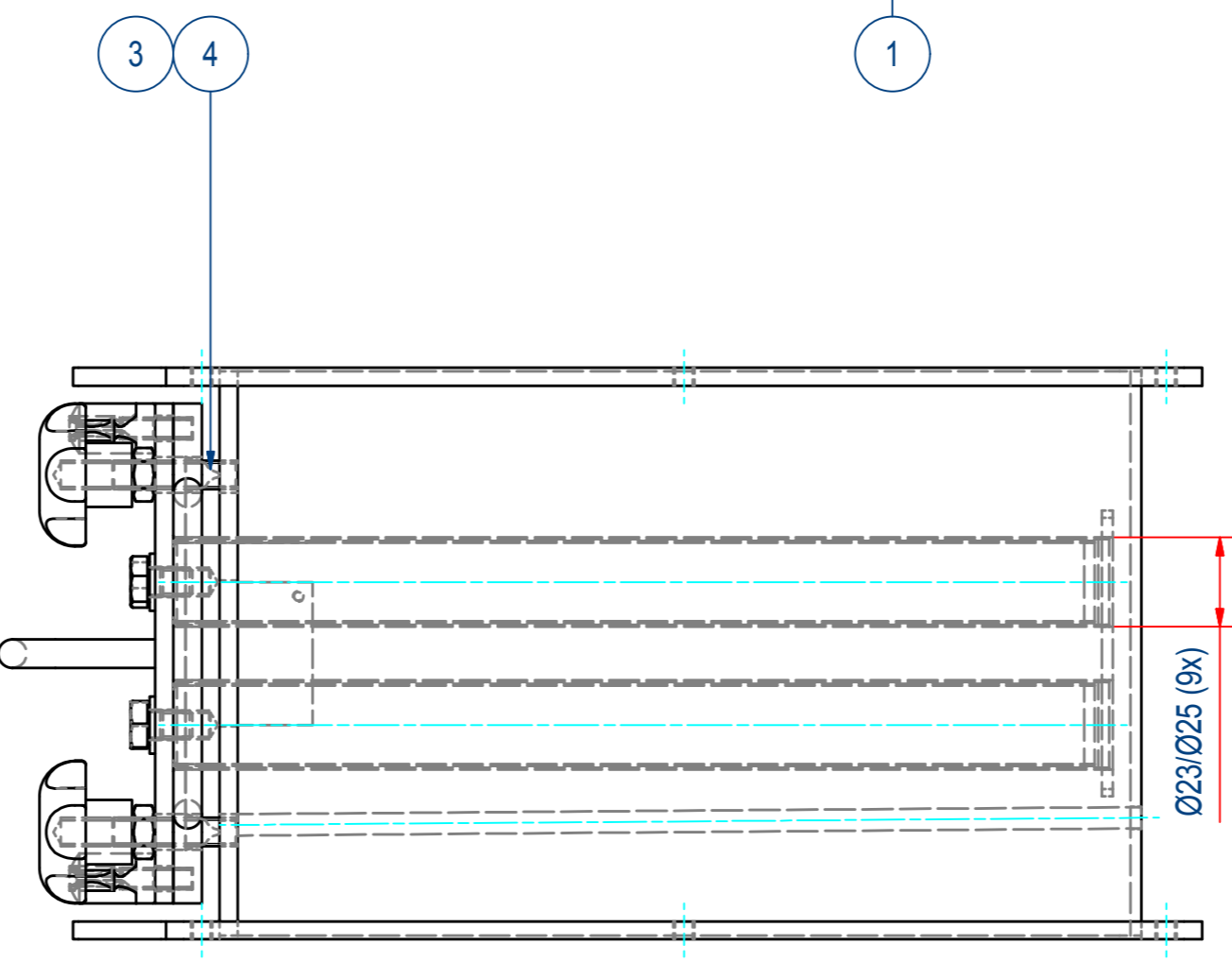
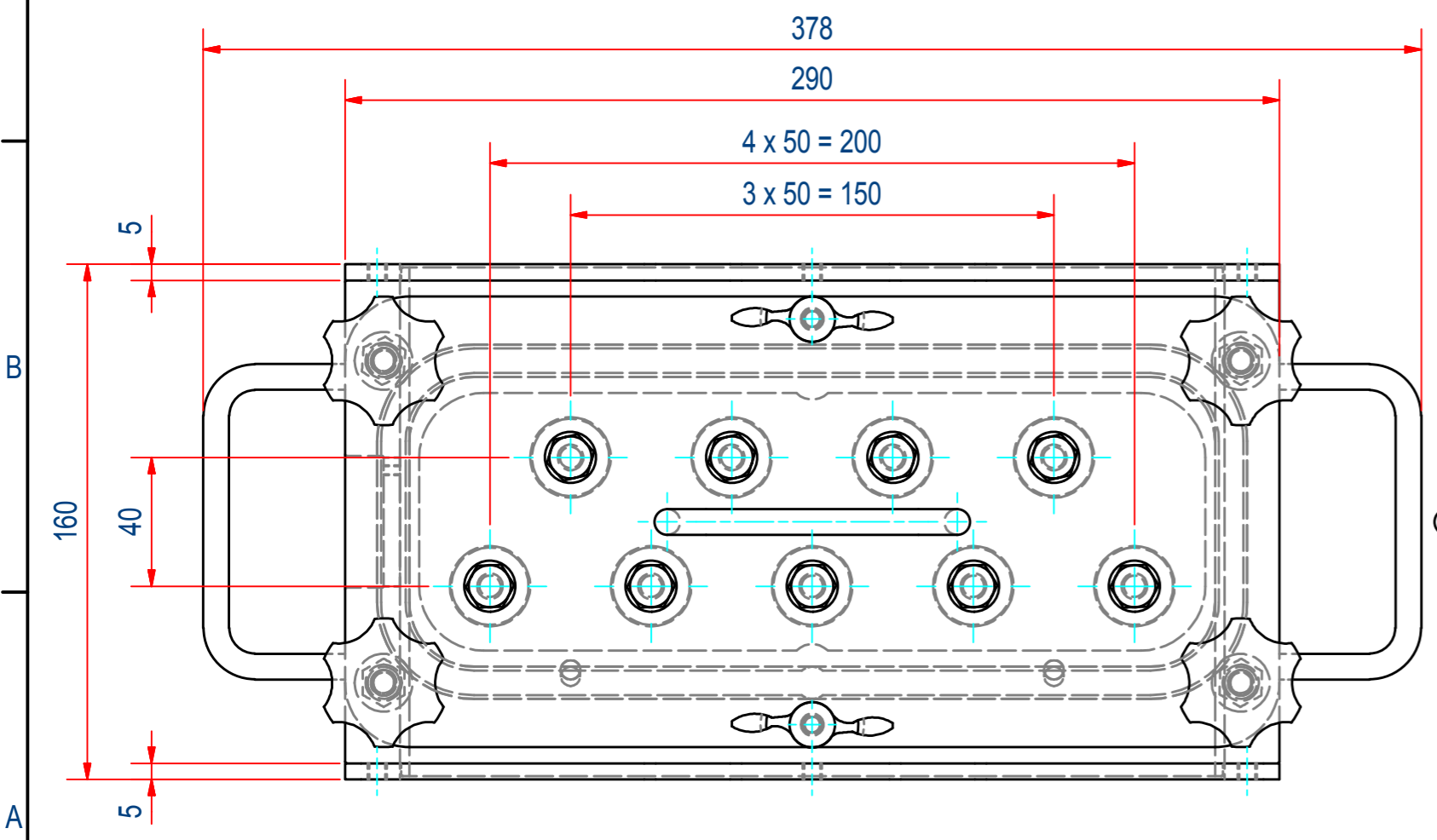
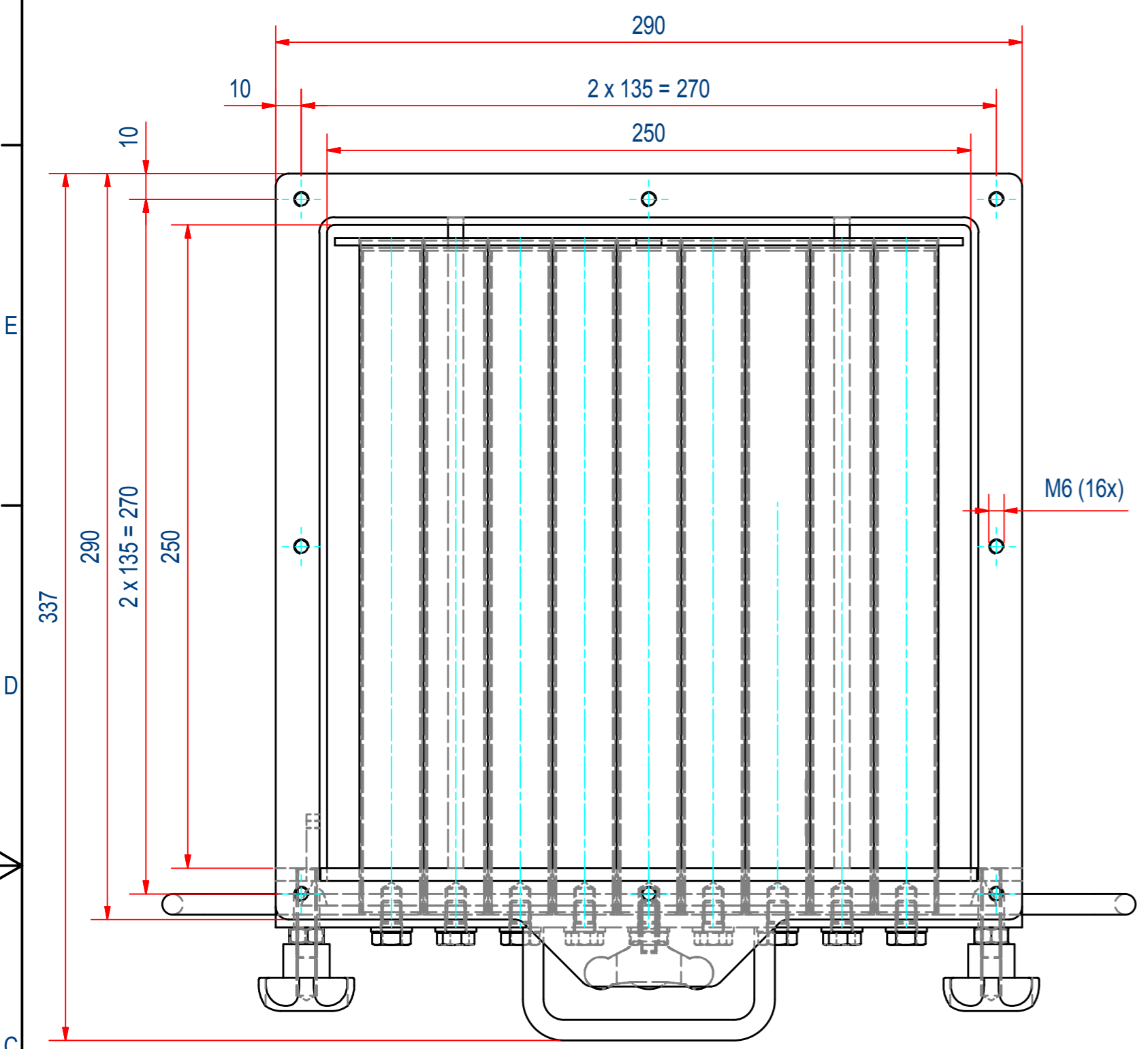


REV	DATE	BY	DESCRIPTION
-	4-10-2013	CR	NEW REVISION VAULT, NOTHING CHANGED, OLD REV WAS A



ITEM	QTY	PART NUMBER	DESCRIPTION	Dimensions
6	4	1005.10014	KNOB M8 BAKELITE STAR	
5	4	60.0300008	NUT, HEX M8 - A4	M8
4	1	E0008822	SILICONE TRAP 10x9.5 FDS RED L=677	
3	1	E0008823	SILICONE TRAP 10x9.5 FDS WHITE L=677	
2	1	A250791	GRID CFP250 NdFeB D23/25 316L	
1	1	A250790	HOUSE CLEAN-FLOW CFP250 IFM	

RAW MAT.	QTY	MAT. NUMBER	MAT. DESCRIPTION	LENGTH (mm)	WIDTH (mm)
⊕	1				

Sheet: A2	Extra info:	General tolerance: ISO 2768 - mK
Drawn: CR	Weight (kg): 18,6	Drawn according: ISO268; ISO1101; ISO2553
Date: 4-10-2013		Status: Standard
Spare part: False		Customer reference number:
Quick search: CFP250	 <small>© All rights reserved. Reproduction is not permitted without written permission of GOUDSMIT Magnetic Systems BV</small>	File number: SECFP25030
Description: SECF-P-2525-09E-N-F1m-W-B-B		Part number: SECFP25030