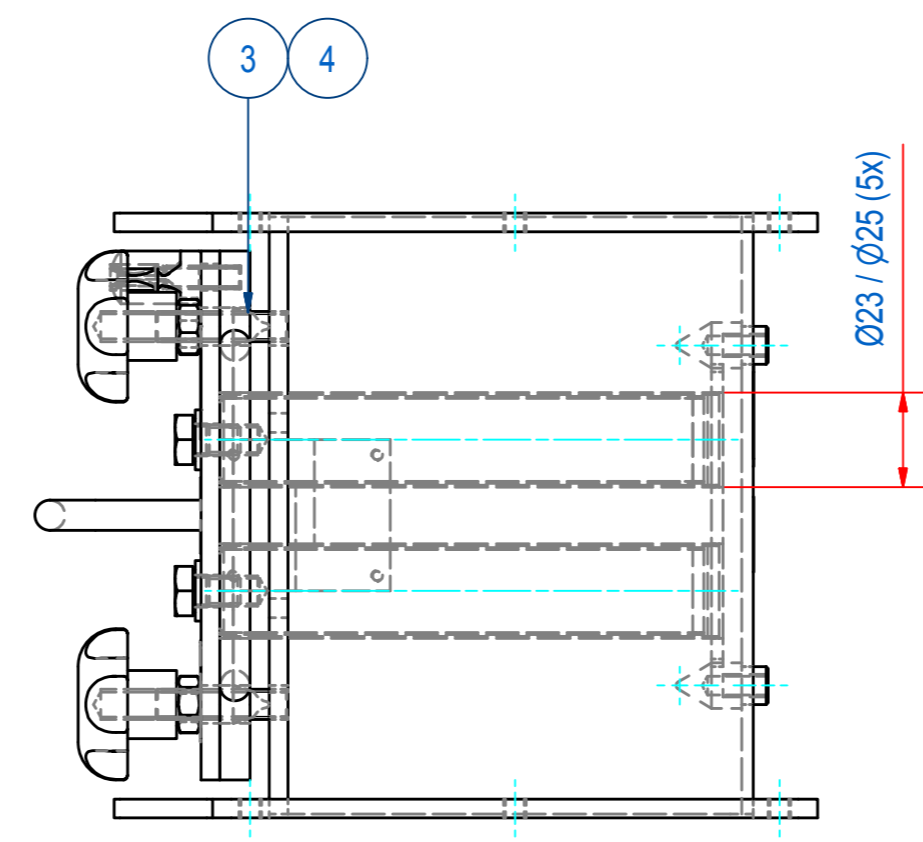
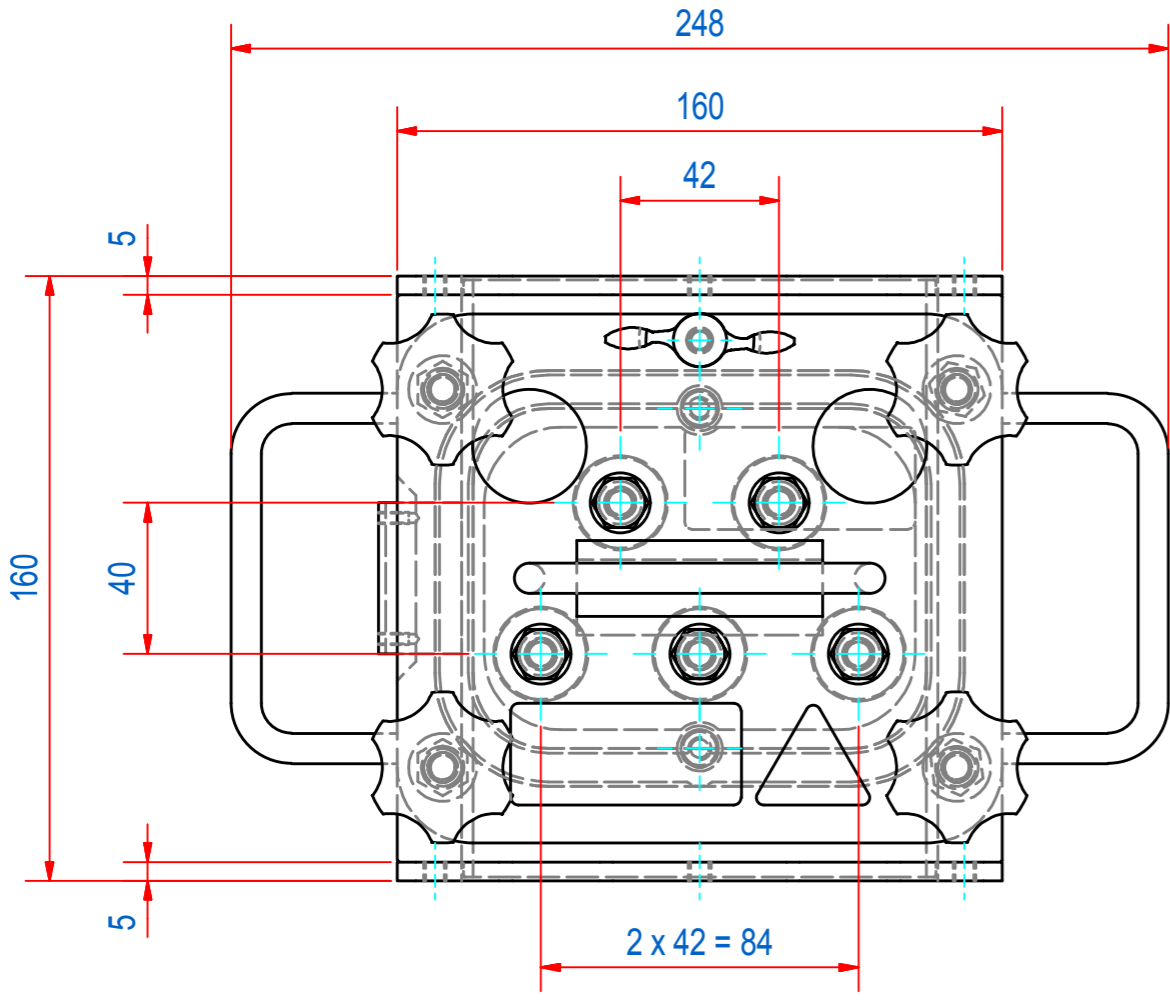
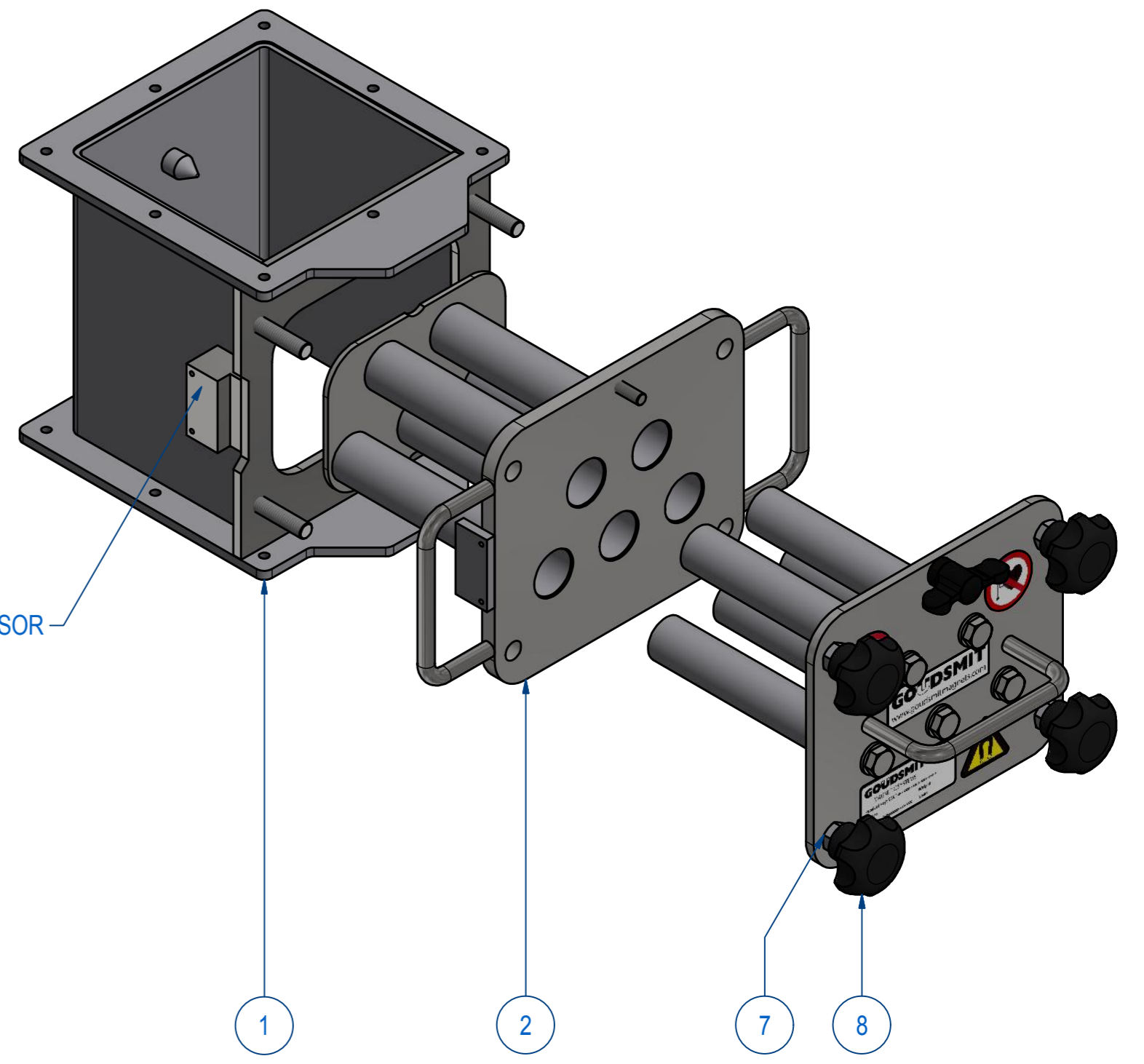
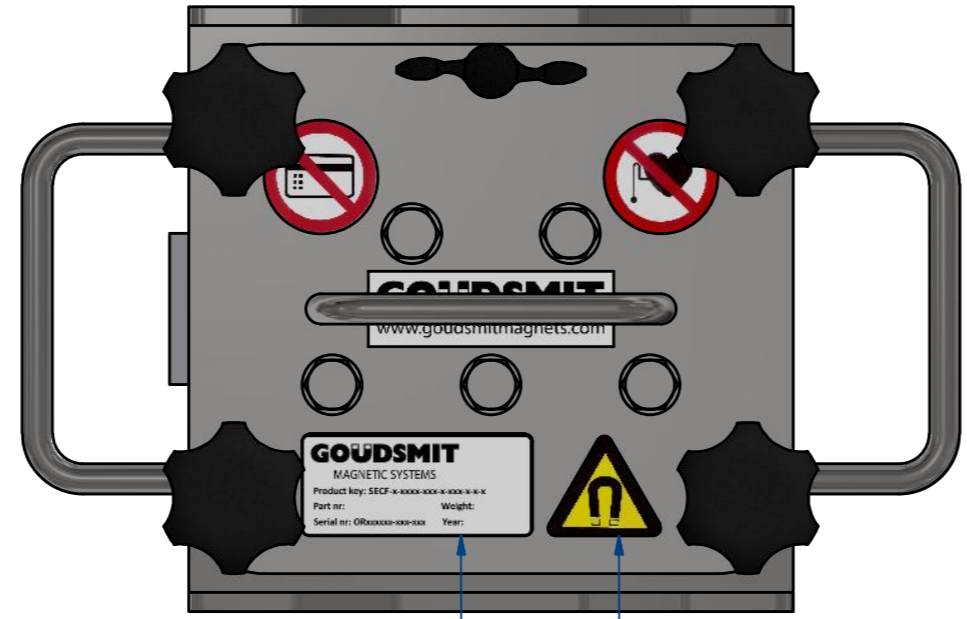
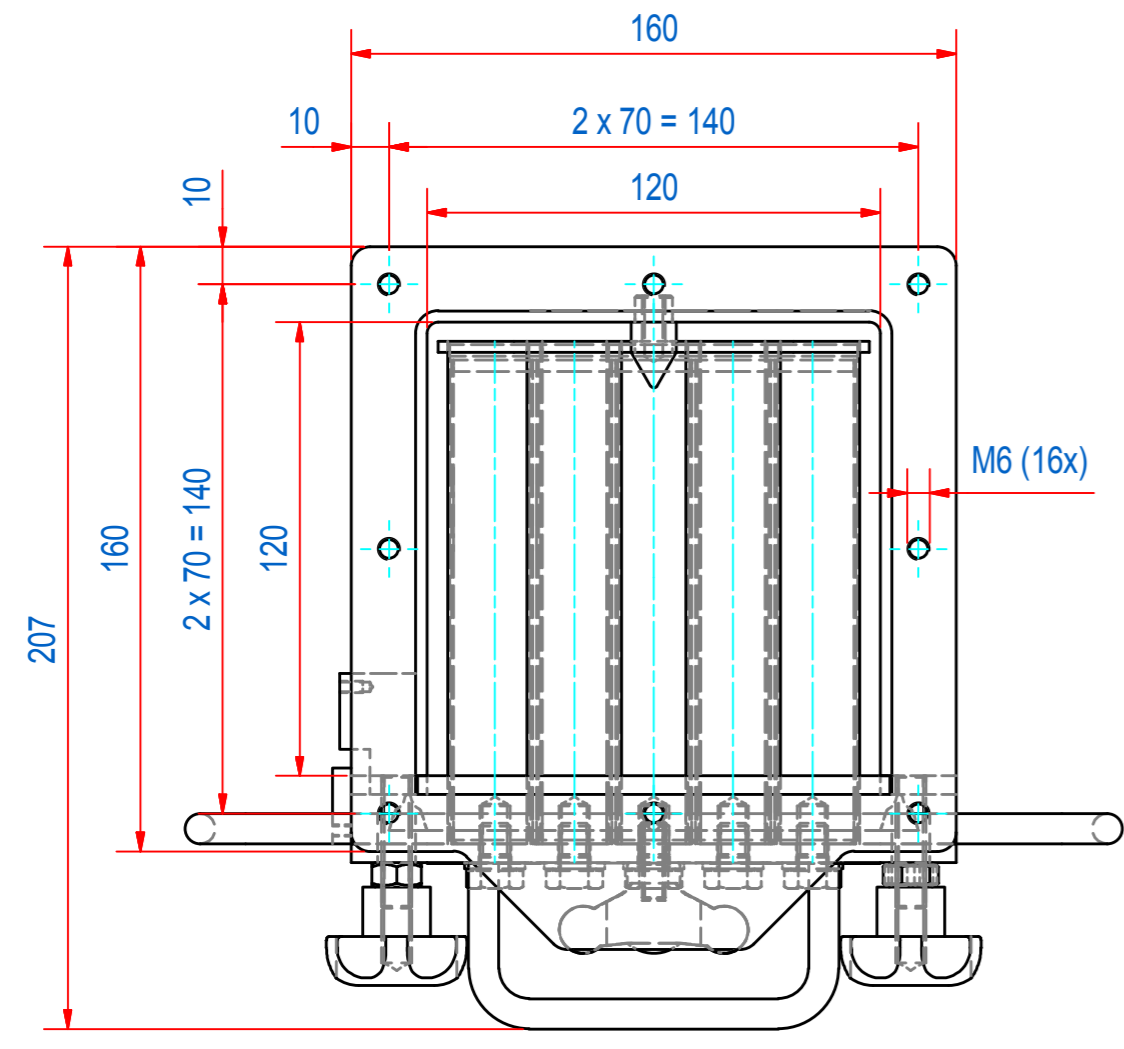


REV	DATE	BY	DESCRIPTION
-	19-3-2013	FS	NEW VAULT, NOTHING CHANGED, IS EQUAL TO OLD REVISION A
A	2-5-2018	CR	TYPE PLATE AND WARNING STICKERS ADDED



ITEM	QTY	PART NUMBER	DESCRIPTION	Dimensions
8	4	1005.10014	KNOB M8 BAKELITE STAR	
7	4	60.0300008	NUT, HEX M8 - A4	M8
6	2	E0086350	TYPE PLATE SECF	
5	1	E0093535	STICKERS FOR SECF99 2+3B	
4	1	E0021526	SILICONE TRAP 10x9.5 FDS WHITE L=417	
3	1	E0021524	SILICONE TRAP 10x9.5 FDS RED L=417	
2	1	A250769	GRID CFP120 NdFeB D23/25 316L	
1	1	A250768	HOUSE CLEAN-FLOW CFP120 IFM	

RAW MAT.	QTY	MAT. NUMBER	MAT. DESCRIPTION	LENGTH (mm)	WIDTH (mm)
⊕	1				

Sheet: A2	Extra info:	General tolerance: ISO 2768 - mK
Drawn: FS	Weight (kg): 8,3	Drawn according: ISO268; ISO1101; ISO2553
Date: 18-3-2013		Status: Standard
Spare part: False		Customer reference number:
Quick search: CFP120	GOUDSMIT MAGNETIC SYSTEMS	File number: SECFP12030 Rev: A
Description: SECF-P-1212-05E-N-F1m-W-B-B	© All rights reserved. Reproduction is not permitted without written permission of GOUDSMIT Magnetic Systems BV	Part number: SECFP12030 Rev: A