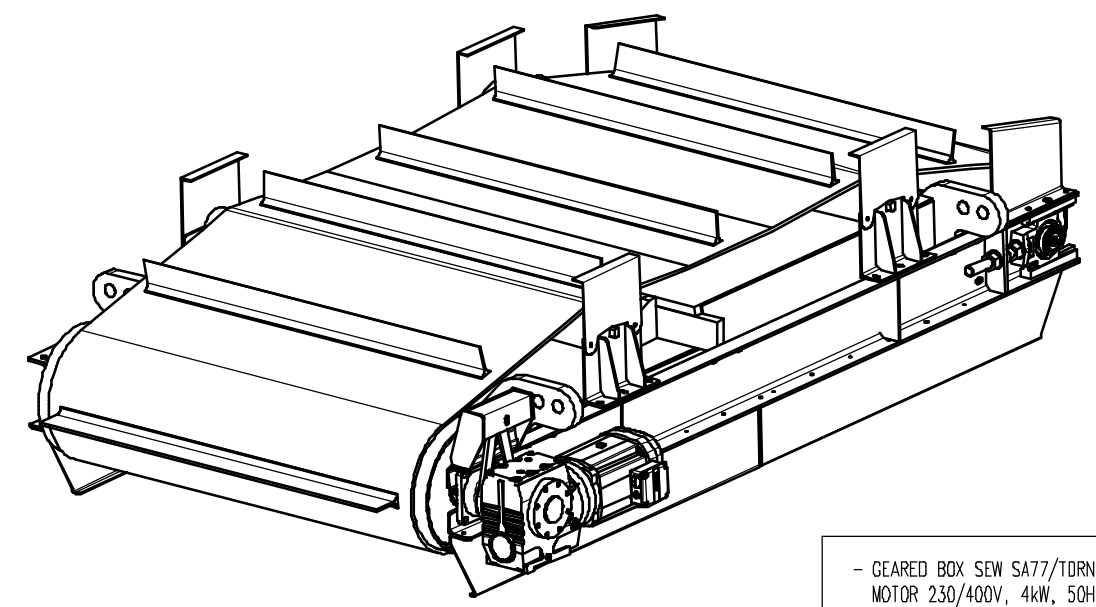
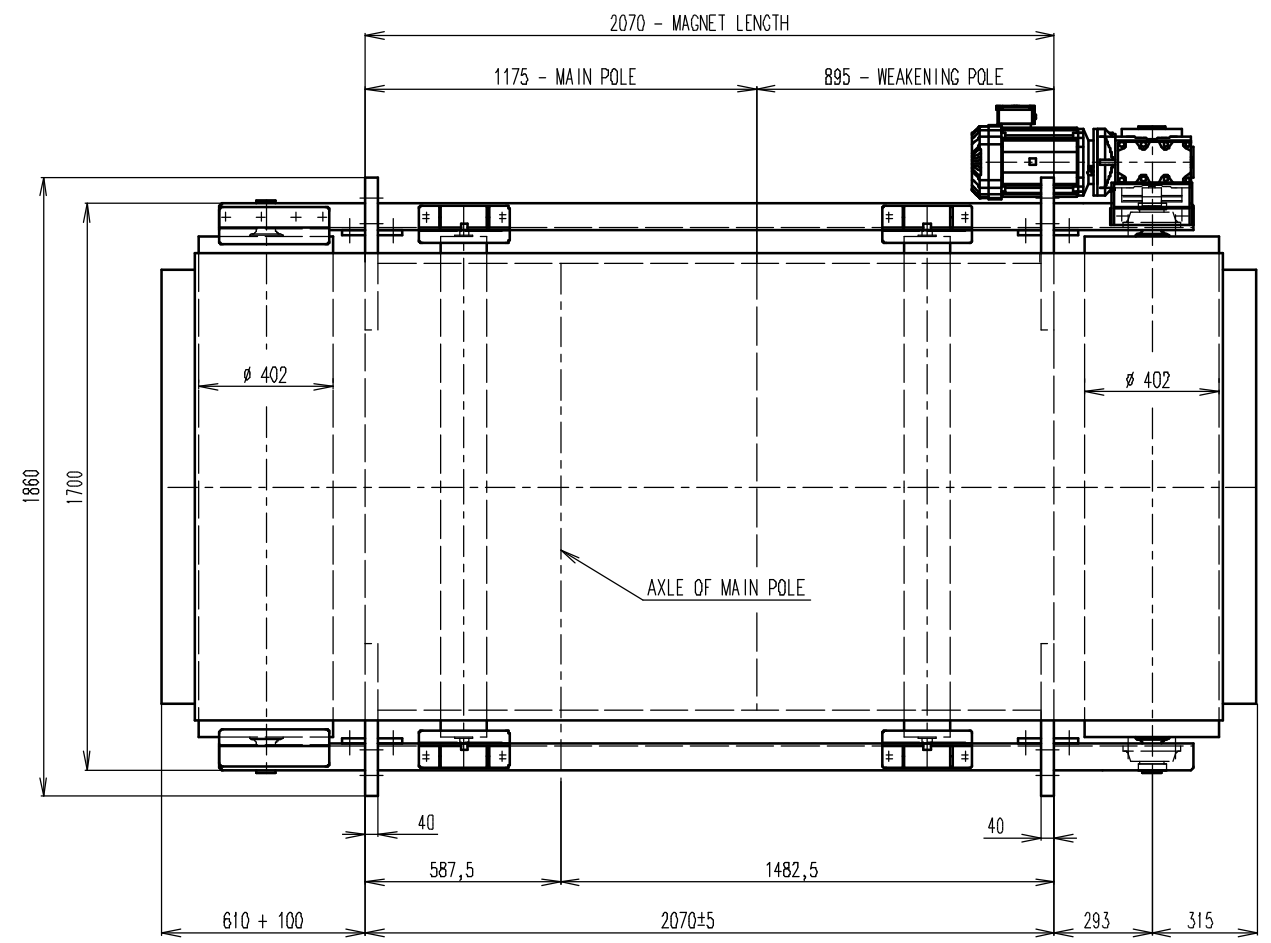
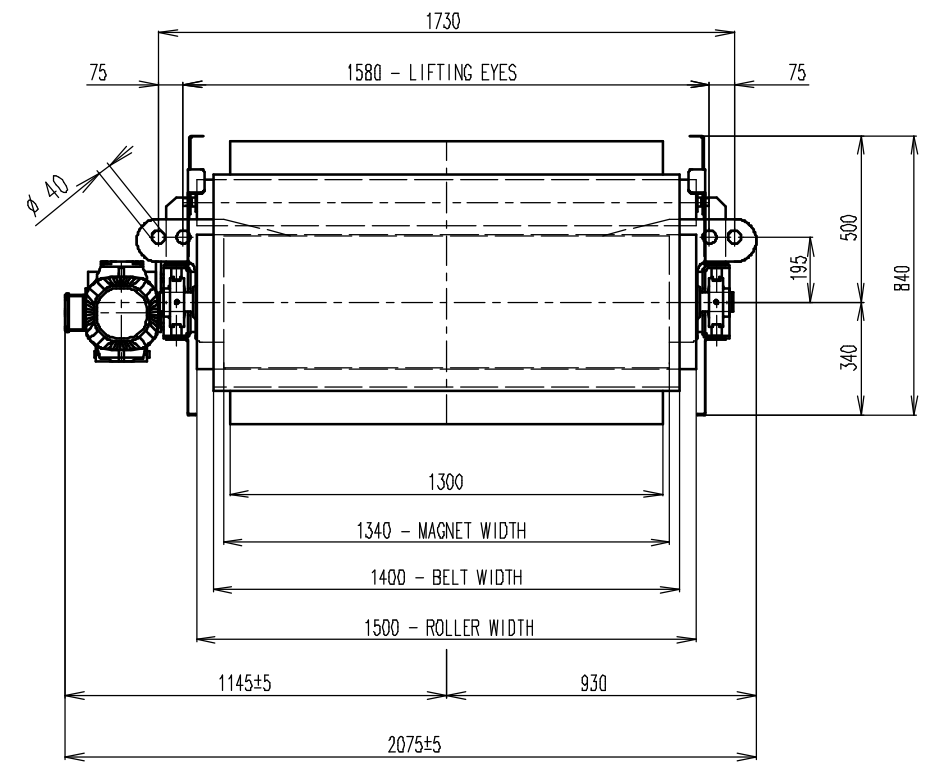
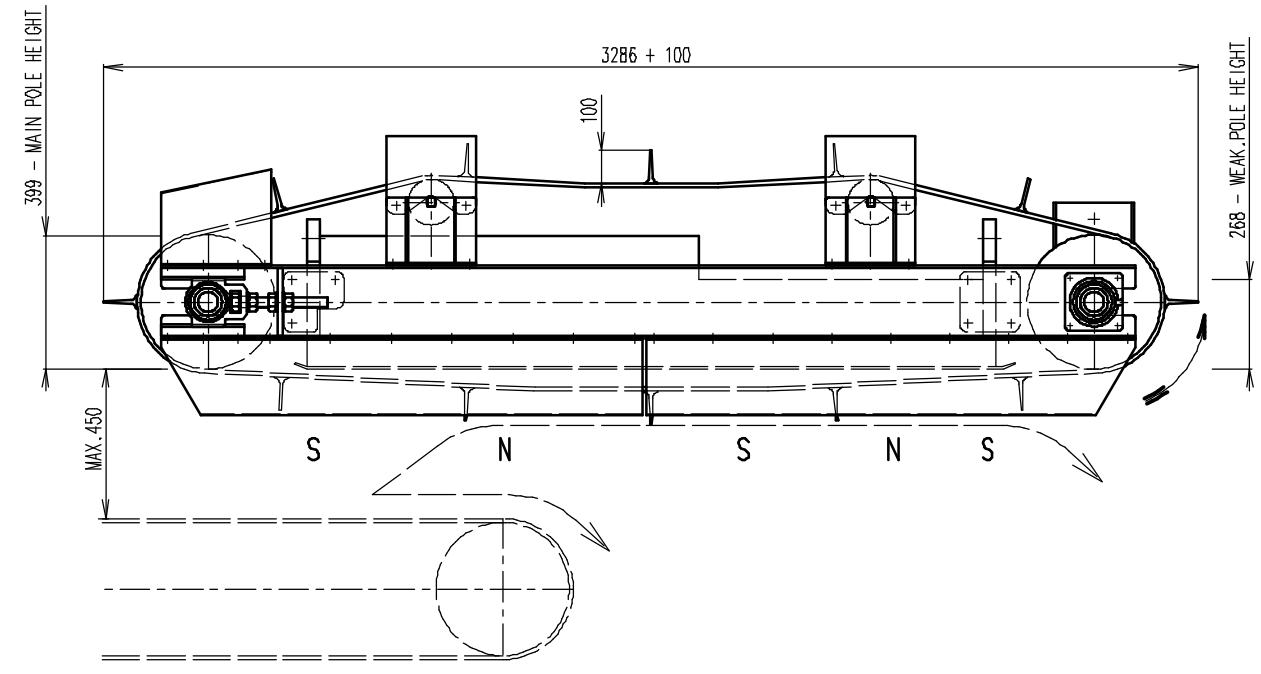


REV	DATE	BY	DESCRIPTION
C	12.10.2016	LF	NEW SYSTEM OF PRODUCT KEY



- GEARED BOX SEW SA77/TDRN112M4, i=20,99 (70RPM), MOTOR 230/400V, 4kW, 50Hz, IP54
- DRUM SPEED 70/min
- BELT EP500, LENGTH 6700, WIDTH 1400
- 12 CLEATS T100/10, WIDTH 1300
- BELT SPEED 1,45 m/s

RAW MAT.	QTY	M59_000000	MAT. NUMBER	MAT. DESCRIPTION	LENGTH (mm)	WIDTH (mm)
Sheet: A2		Extra Info:		General tolerance: ISO 2768 - cL		
Drawn by: LF		Weight (kg): 4900		Drawn according: ISO268; ISO1101; ISO2553		
Date: 12.10.2016				Status:		
Scale: 1:15				Customer reference number:		
Quick search: ROF1		© All rights reserved. Reproduction is not permitted without written permission of GOUDSMIT Magnetic Systems BV		Product key: ROP-F6-1-140-W-G-L-B-B-B-NA		
Description: PERMANENT OVERBELT MAGNET FOR IN LINE MOUNTING		Part number: ROF1140360		Rev. C		