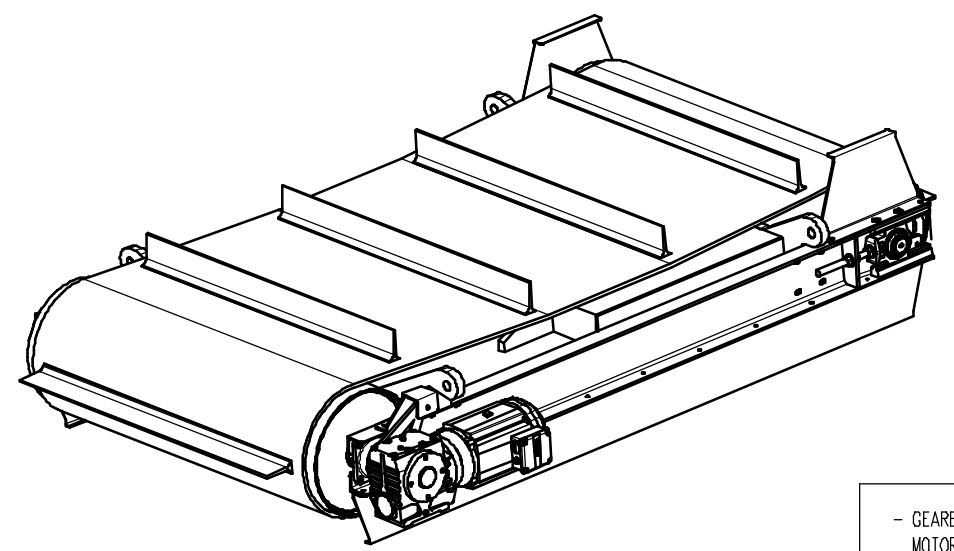
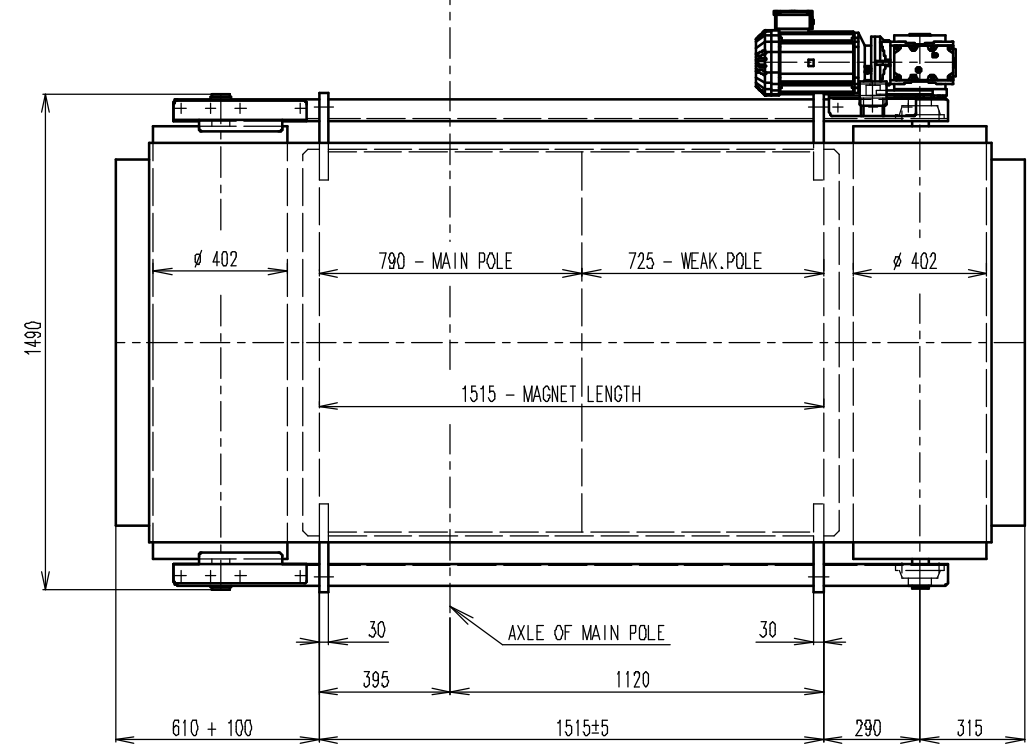
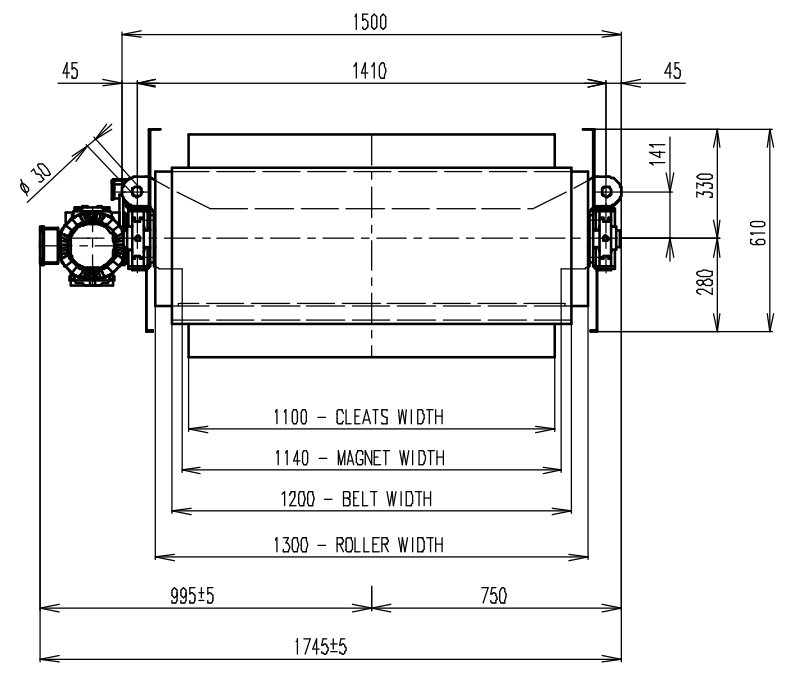
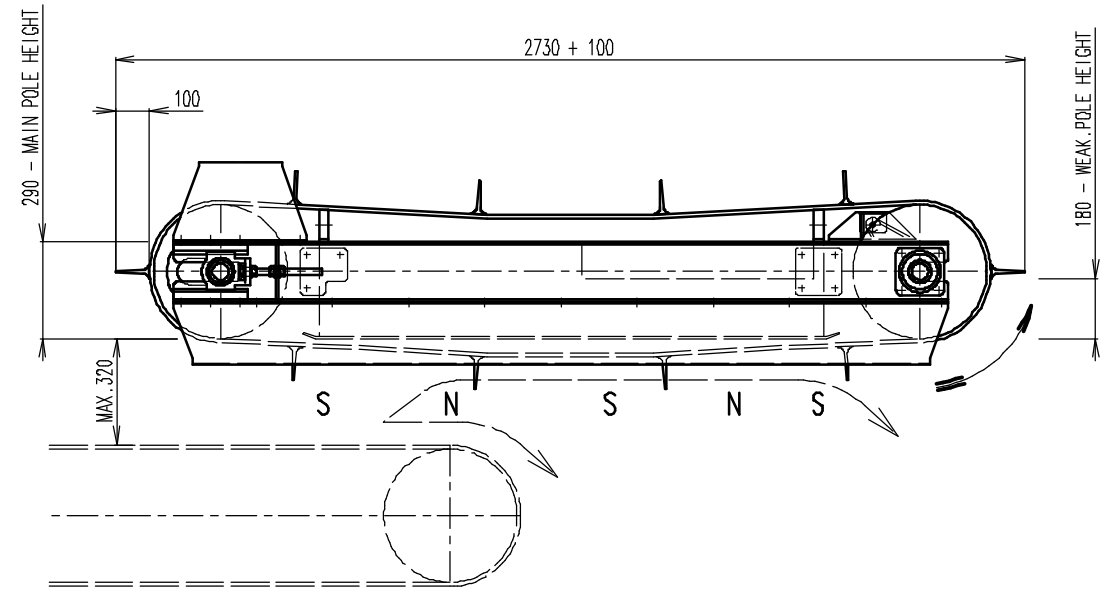


REV	DATE	BY	DESCRIPTION
C	12.10.2016	LF	NEW SYSTEM OF PRODUCT KEY



- GEARED BOX SEW SA67/TDRN100L4, $i=20,37$ (71RPM), MOTOR 230/400V, 3kW, 50Hz, IP 54
- DRUM SPEED 71/min
- BELT TYPE EP500, LENGTH 5520, WIDTH 1200, 10 CLEATS T100/10, WIDTH 1100
- BELT SPEED 1,5 m/s
- BEARINGS ASSEMBLY INA $\phi 50$

RAW MAT.	QTY	M54_000000	MAT. NUMBER	MAT. DESCRIPTION	LENGTH (mm)	WIDTH (mm)
Sheet: A2		Extra Info:		General tolerance: ISO 2768 - cL		
Drawn by: LF		Weight (kg): 2400		Drawn according: ISO268; ISO1101; ISO2553		
Date: 12.10.2016		Scale: 1:15		Status:		
Quick search: ROP1		Description: PERMANENT OVERBELT MAGNET FOR IN LINE MOUNTING		Customer reference number:		
				Product key: ROP-F4-I-120-W-G-L-B-B-B-NA		
				Part number: ROP1120340		
				Rev: C		