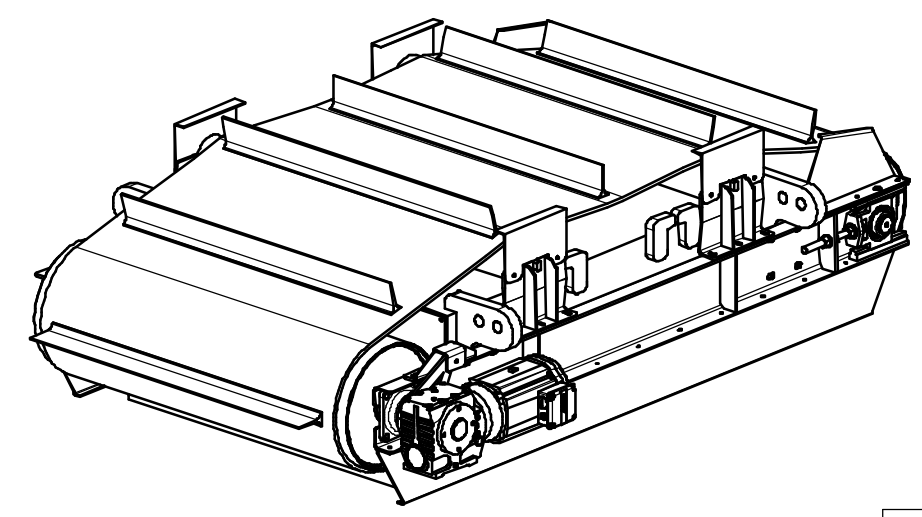
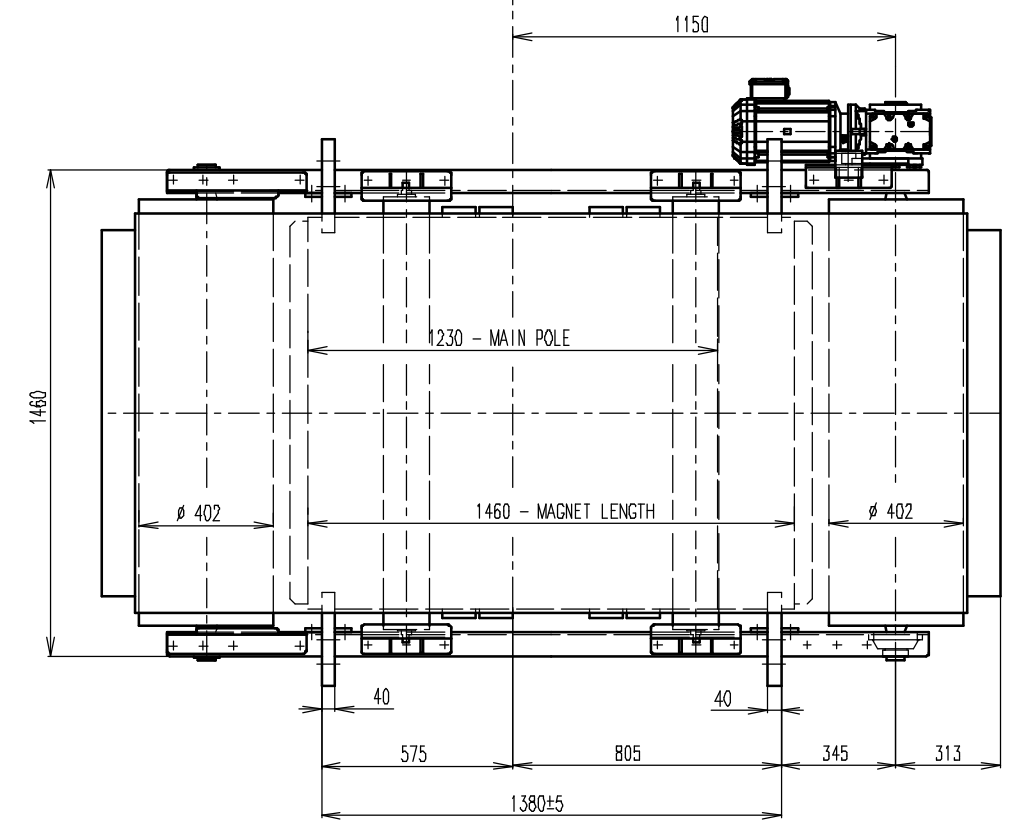
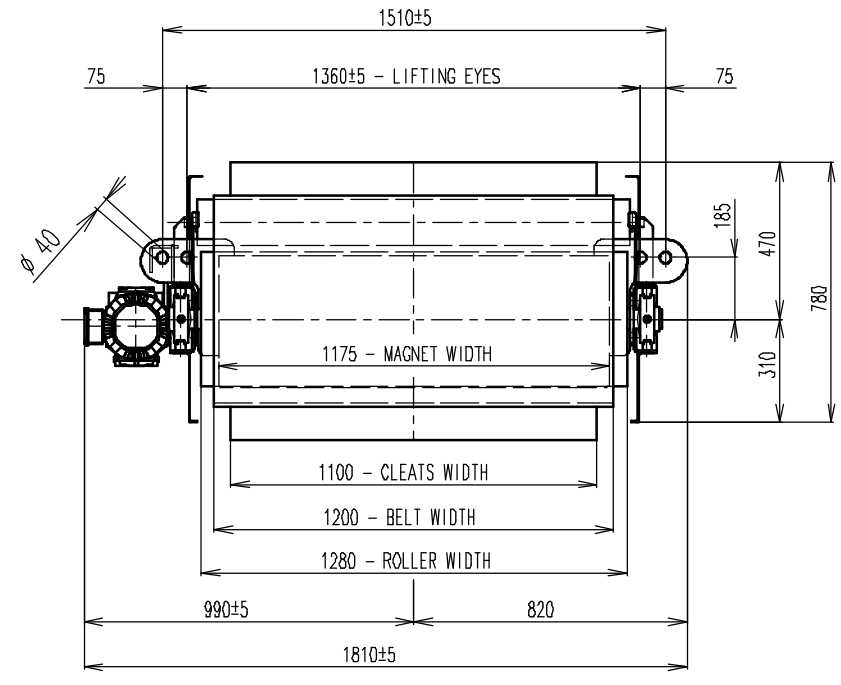
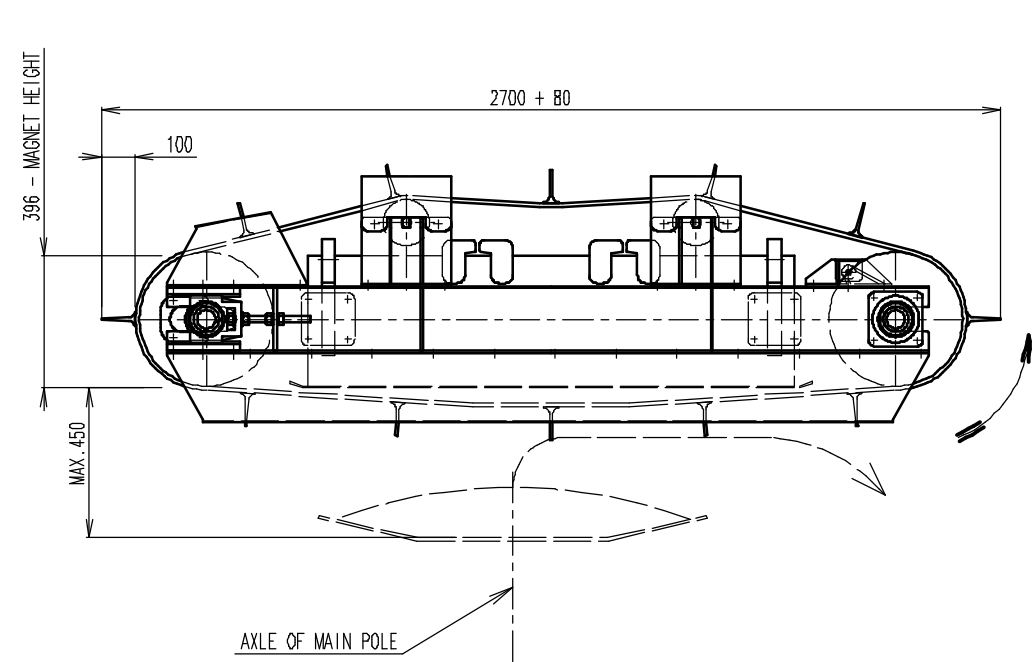


REV	DATE	BY	DESCRIPTION
A	03.10.2016	LF	ORIGINAL DRAWING



- GEARED BOX SEW SA67T/DRN100L4, i=20,37 (71RPM), 230/400V, 3kW, 50Hz, IP54
- DRUM SPEED 71/min
- BELT EP500, LENGTH 5500, WIDTH 1200, 12 CLEATS T100/10, WIDTH 1100
- BELT SPEED 1,5 m/s

RAW MAT.	M44_000000				
QTY	MAT. NUMBER	MAT. DESCRIPTION	LENGTH (mm)	WIDTH (mm)	
Sheet: A2	Extra Info:		General tolerance: ISO 2768 - cL		
Drawn by: LF	Weight (kg): 3510	<b>GOUDSMIT</b> <b>MAGNETIC SYSTEMS</b> <small>© All rights reserved. Reproduction is not permitted without written permission of GOUDSMIT Magnetic Systems BV</small>	Drawn according: ISO268; ISO1101; ISO2553		
Date: 03.10.2016	Scale: 1:15		Status:		
Quick search: ROFC	Description: PERMANENT OVERBELT MAGNET FOR CROSS MOUNTING		Customer reference number:		
			Product key: ROP-F6-C-120-W-6-L-B-B-B-NA		
			Part number: ROFC120360		
			Rev: A		