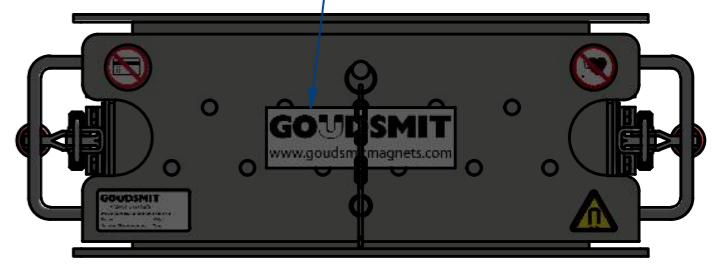
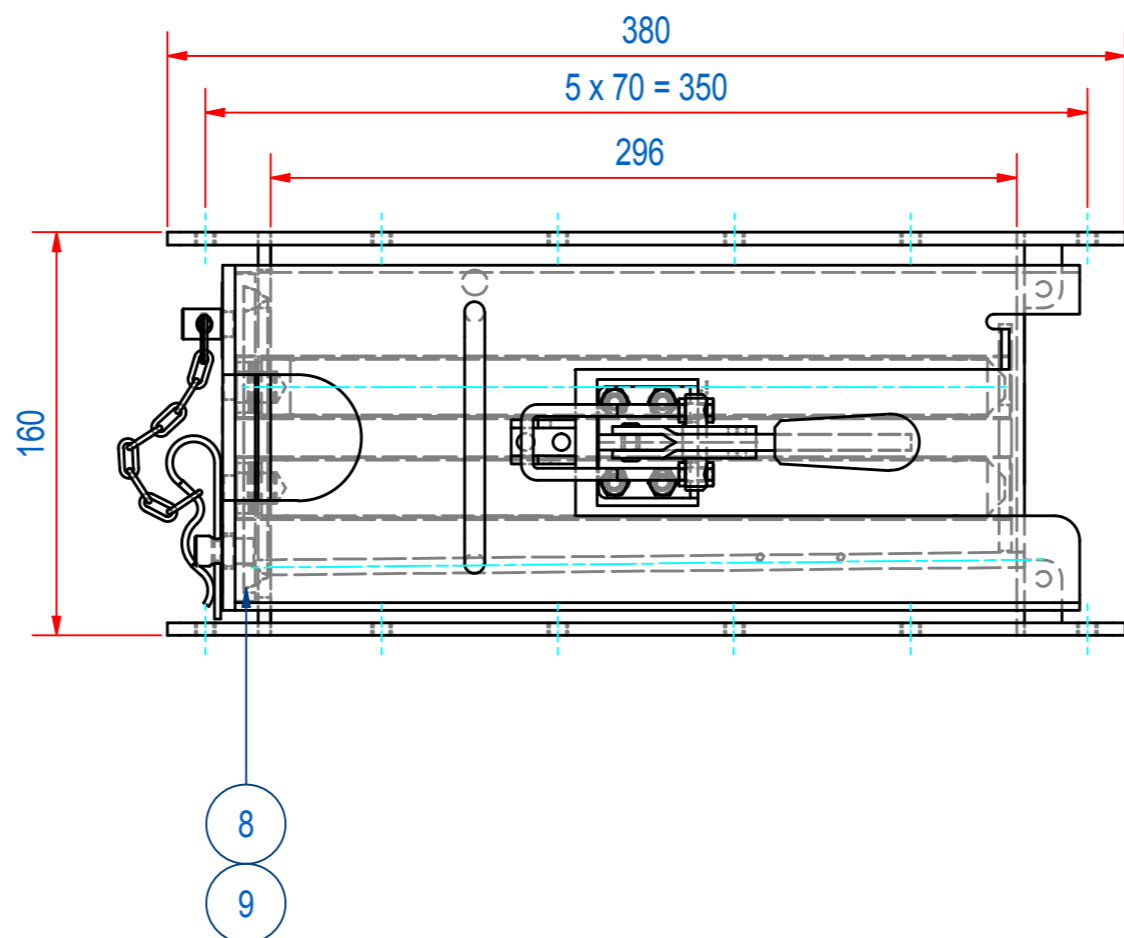
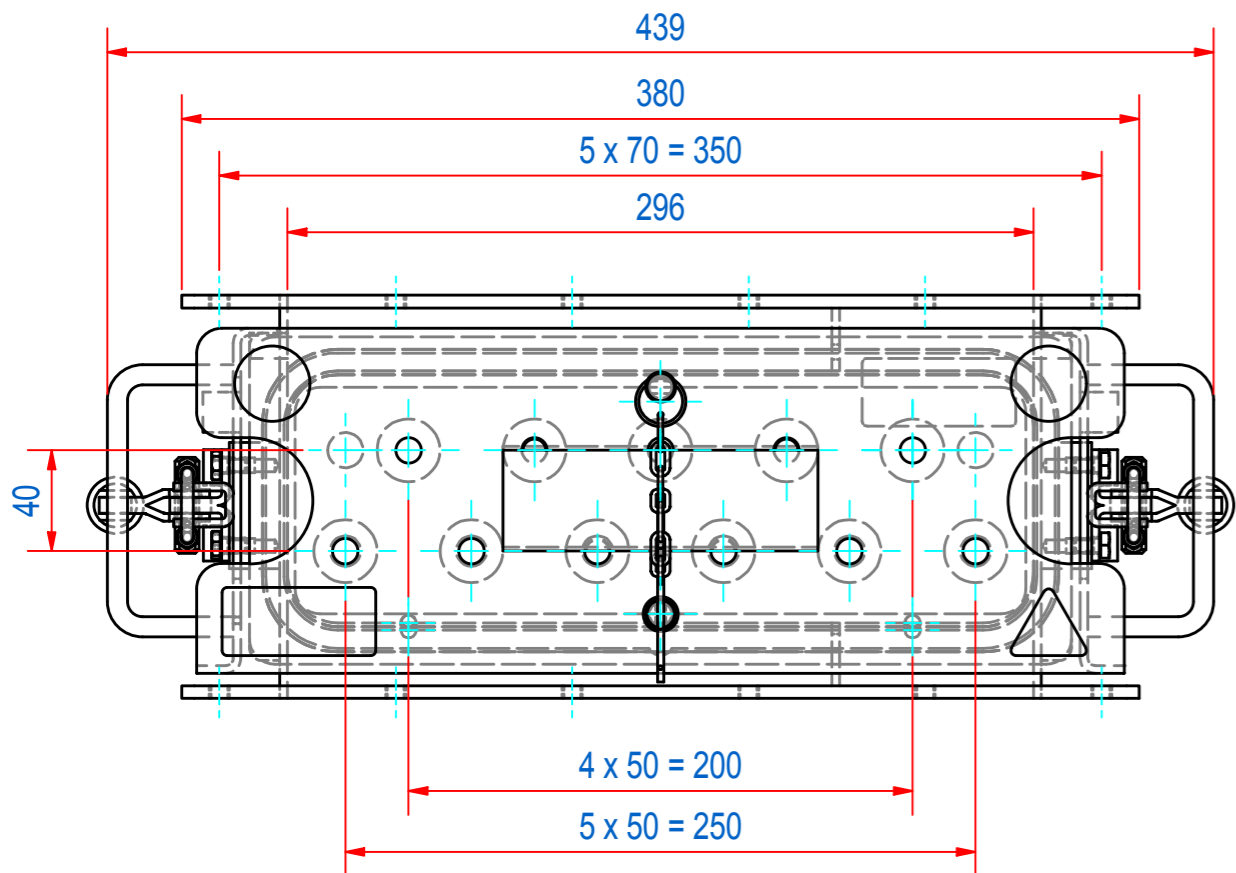
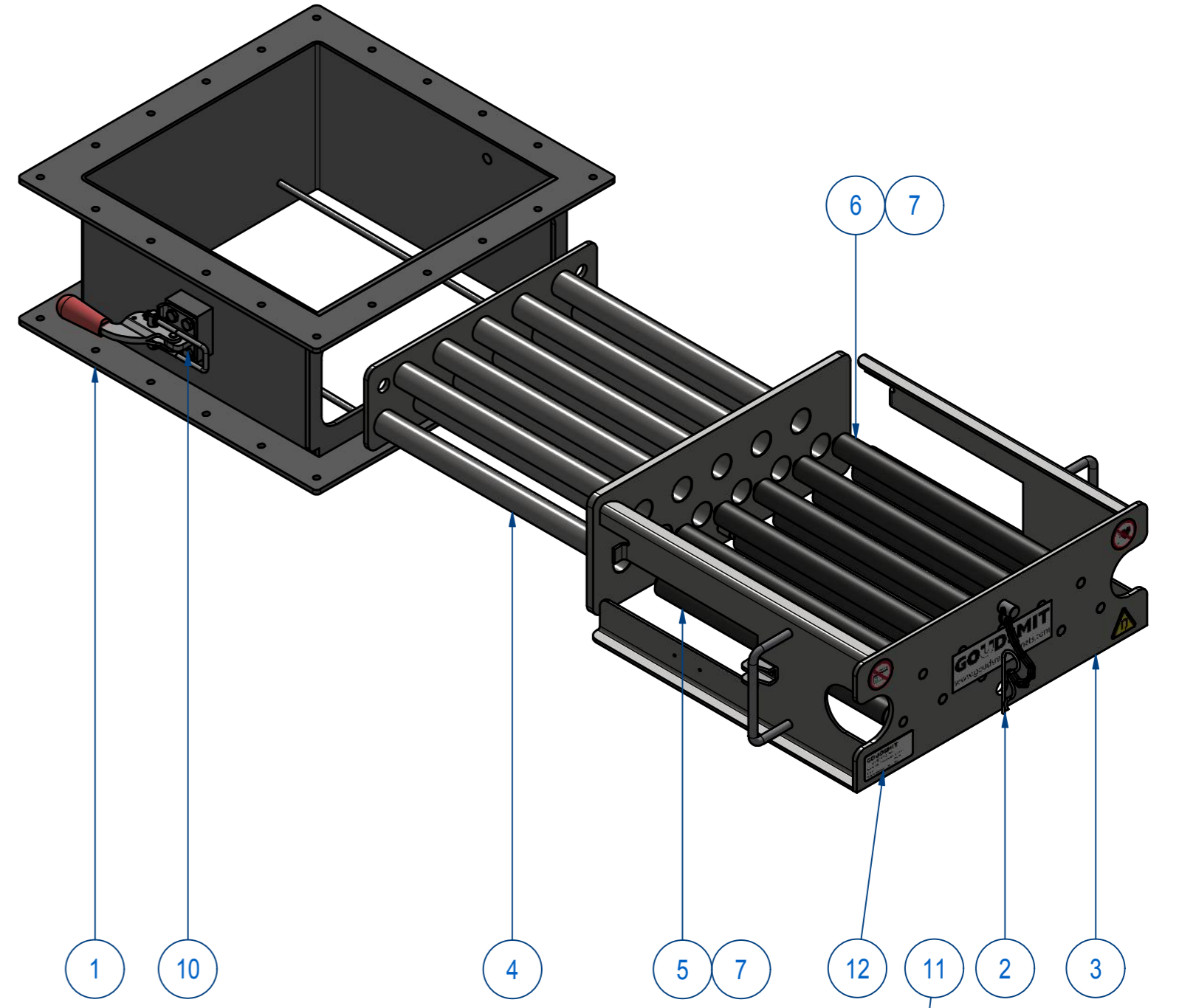
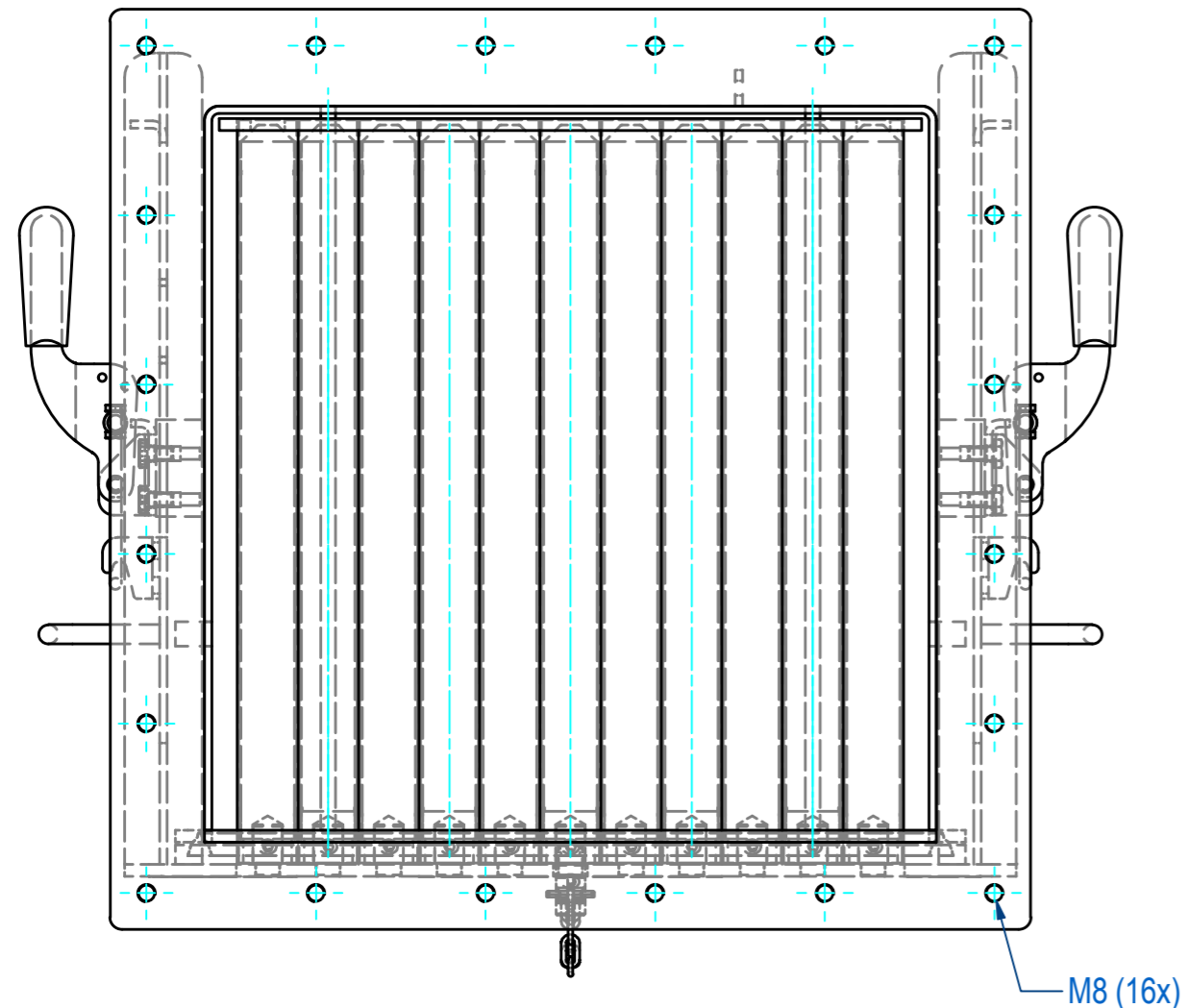


REV	DATE	BY	DESCRIPTION
-	12-8-2014	BS	NEW REVISION VAULT, NOTHING CHANGED, OLD REV WAS A
A	14-5-2019	CR	TYPE PLATE AND WARNING STICKERS ADDED



ITEM	QTY	PART NUMBER	DESCRIPTION	Dimensions
12	2	E0086350	TYPE PLATE SECF	
11	1	E0093454	STICKERS FOR SECF250-300-350	
10	8	50.1306010	BOLT, HEX M6 x 10-A4	M6 x 10
9	1	E0005412	GASKET CF300 SILICONE EC1935	
8	1	E0005413	GASKET CF300 SILICONE EC1935	
7	11	72.9900002	PIN, S SLOTTED 3 x 20 - A2	3 x 20
6	5	SBAME100009-305	BAR-N-23-305-25-CPC-NW-B	
5	6	SBAME100000-305	BAR-N-23-305-25-CPC-NH-B	
4	1	A250375	EXTRACTOR WELD 5+6 CF3030	
3	1	M15771	FRONT WELD CF3030	
2	1	M15489	CF000 LOCKER WITH CHAIN "SAFE"	
1	1	A250192	WELD ASSY HOUSE CF3030	

RAW MAT.	Quantity	Material Number	Material Description	Length (mm)	Width (mm)
	1				

Sheet: A2	Extra info:	General tolerance: ISO 2768 - mK
Drawn: CR	Weight (kg): 27,8	Drawn according: ISO268; ISO1101; ISO2553
Date: 14-5-2019		Status: Standard
Spare part: False	Source:	Customer reference number:
Quick search: CF3030		Document number: SECF300438
Description: SECF-B-3030-11E-N-F1E-W-S-B		Doc.Rev: A
		Part number: SECF300438
		Rev: A

