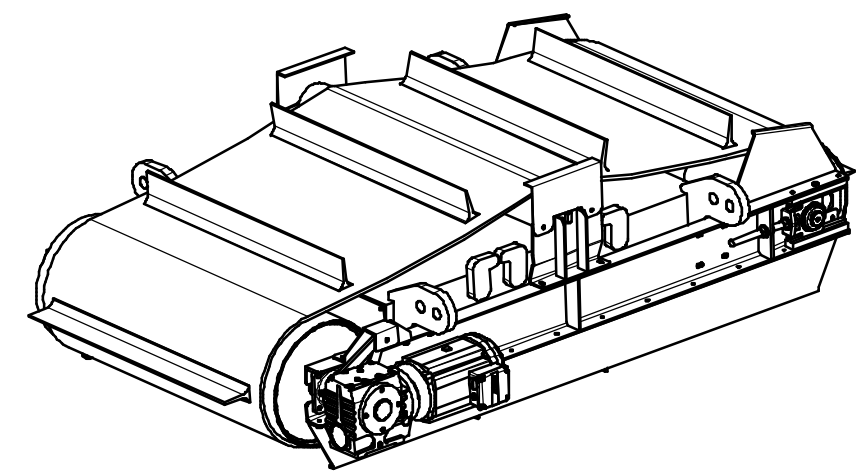
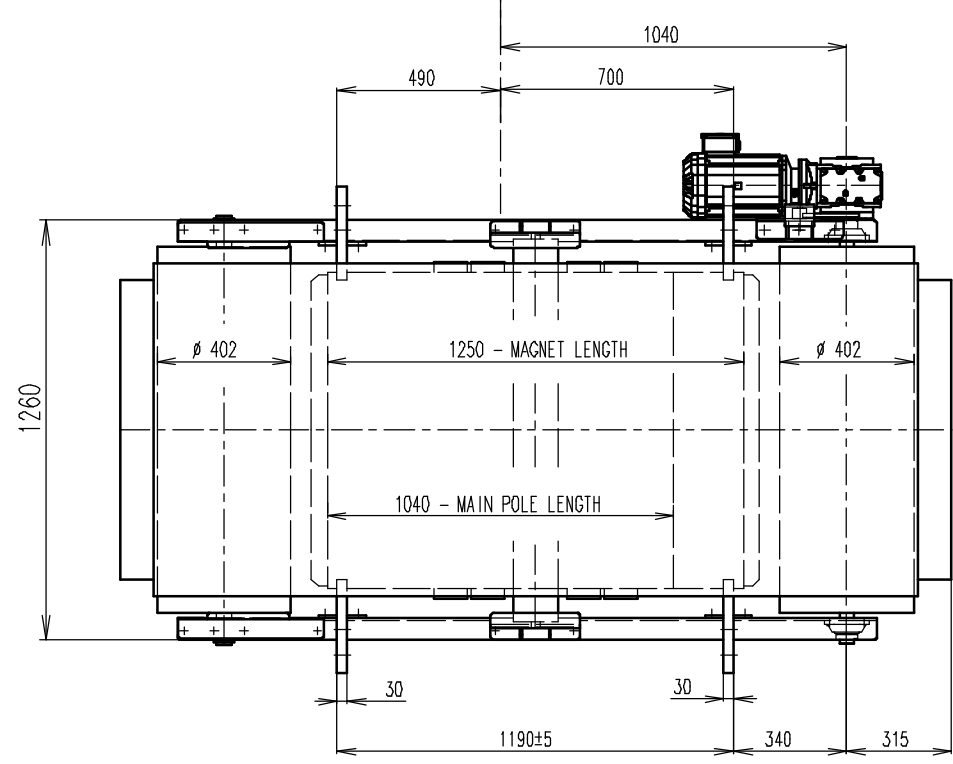
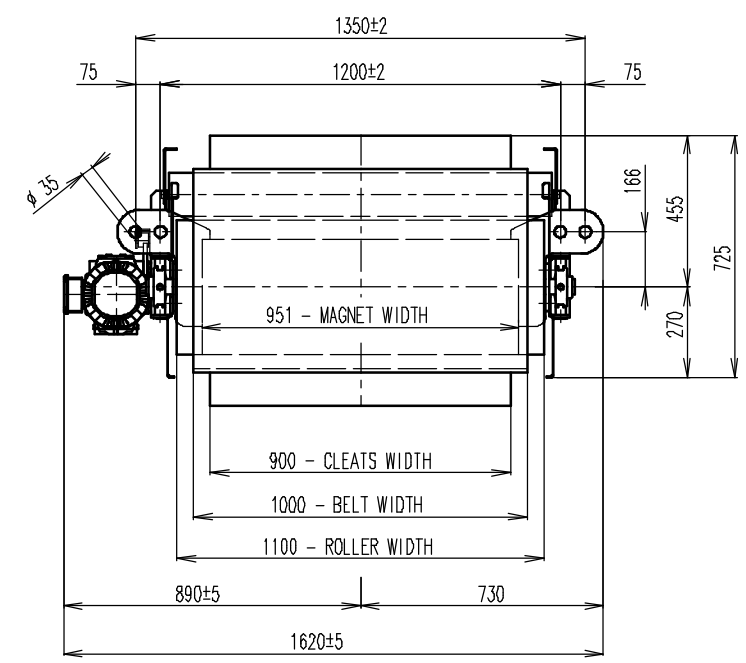
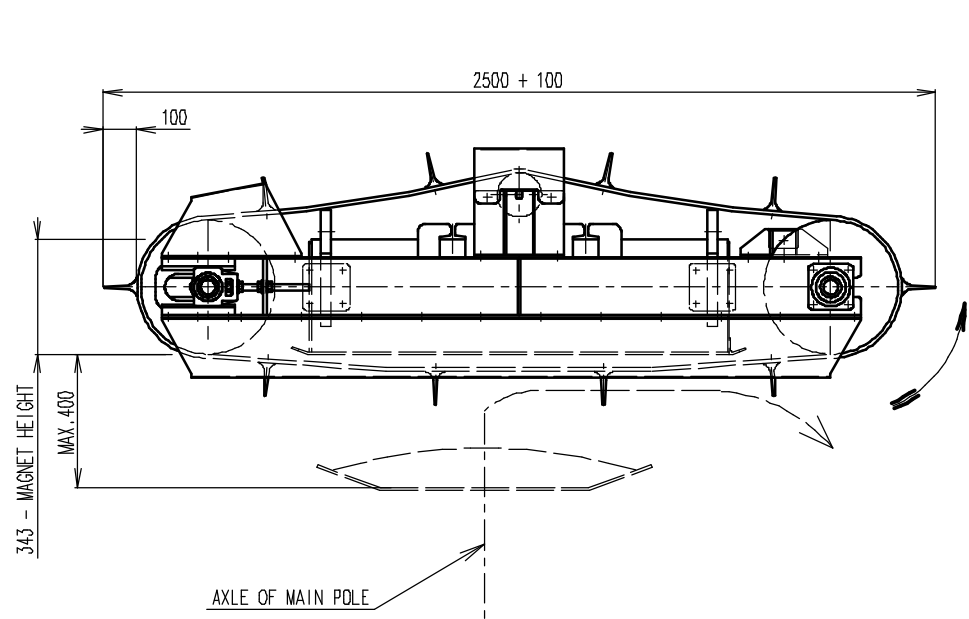


REV	DATE	BY	DESCRIPTION
C	26.09.2016	LF	NEW SYSTEM OF PRODUCT KEY



- GEARED BOX SEW SA67/TDRN100L4, i=20,37 (71 RPM), MOTOR 230/400V, 3kW, 50Hz, IP54
- DRUM SPEED 71/min
- BELT TYPE EP500, LENGTH 5080, WIDTH 1000, 10 CLEATS T100/10, WIDTH 900
- BELT SPEED 1,5 m/s

RAW MAT.	M34_000000_B				
QTY	MAT. NUMBER	MAT. DESCRIPTION	LENGTH (mm)	WIDTH (mm)	
Sheet: A2	Extra Info:		General tolerance: ISO 2768 - cL		
Drawn by: LF	Weight (kg): 2255	GOUDSMIT MAGNETIC SYSTEMS <small>© All rights reserved. Reproduction is not permitted without written permission of GOUDSMIT Magnetic Systems BV</small>	Drawn according: ISO268; ISO1101; ISO2553		
Date: 26.09.2016	Scale: 1:15		Status:		
Quick search: ROFC	Description: PERMANENT OVERBELT MAGNET FOR CROSS MOUNTING		Customer reference number:		
			Product key: ROP-F5-C-100-W-G-L-B-B-B-NA		
			Part number: ROFC100350		
			Rev: C		