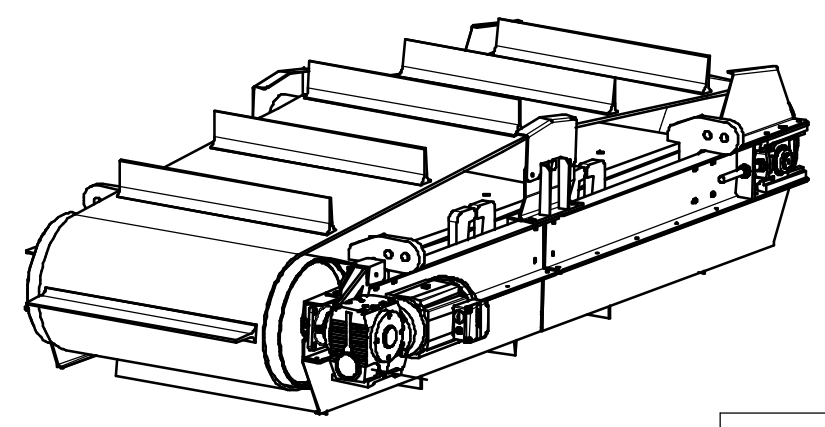
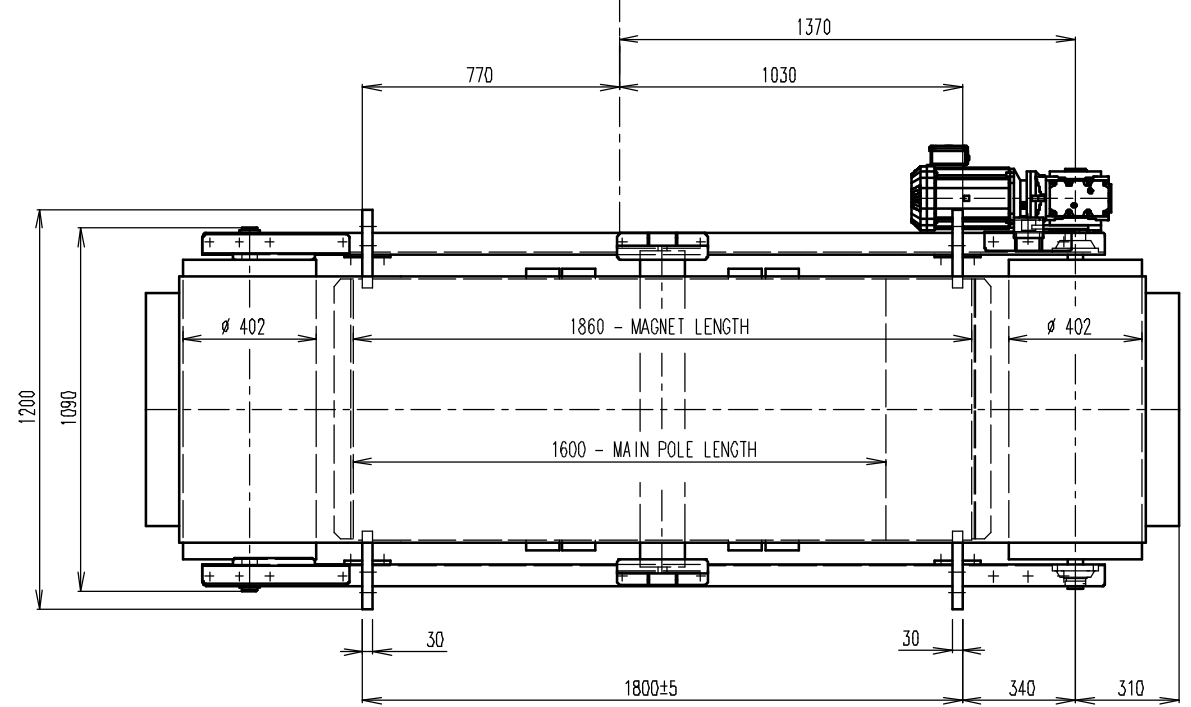
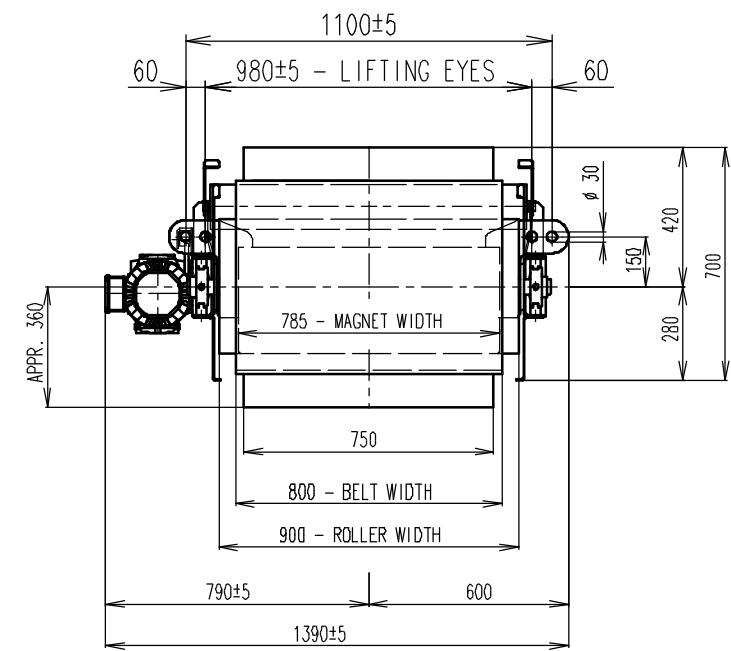
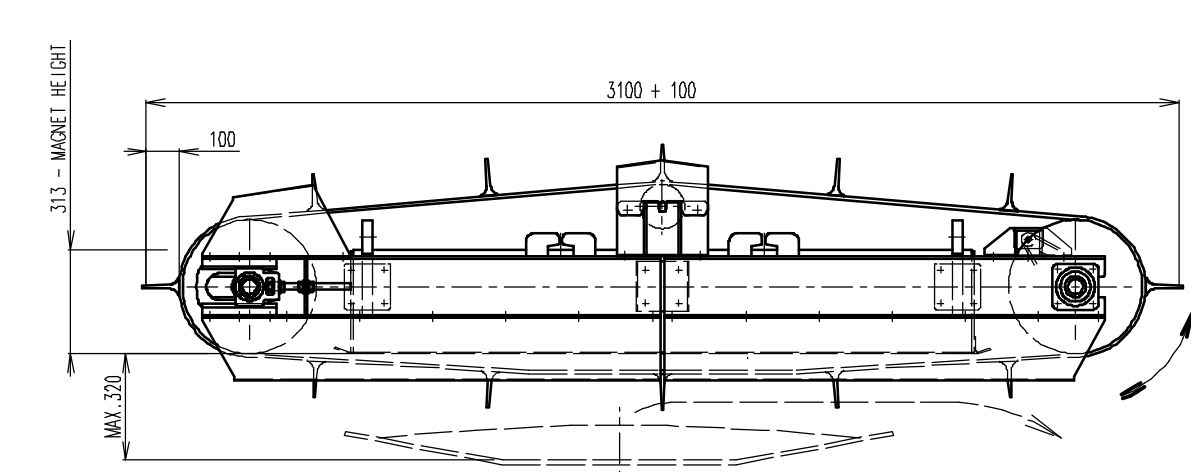


REV	DATE	BY	DESCRIPTION
C	16.09.2016	LF	MAGNET WIDTH 785 (WAS 780)



- GEARED BOX SEW SA67/TDRN100L4, i=20,37 (71RPM), MOTOR 230/400V, 3kW, 50Hz, IP 54
- DRUM SPEED 71/min
- BELT EP500, LENGTH 6280, WIDTH 800, 12 CLEATS T100/10, WIDTH 750
- BELT SPEED 1,5 m/s

RAW MAT.	QTY	MAT. NUMBER	MAT. DESCRIPTION	LENGTH (mm)	WIDTH (mm)
⊕	Sheet: A2	Extra info:	General tolerance: ISO 2768 - cL		
	Drawn by: LF	Weight (kg): 2435	Drawn according: ISO268; ISO1101; ISO2553		
	Date: 16.09.2016		Status:		
	Scale: 1:15		Customer reference number:		
	Quick search: ROFC		Product key: ROP-F4-C-160-W-6-L-B-B-B-NA		
	Description: PERMANENT OVERBELT MAGNET FOR CROSS MOUNTING		Part number: ROFC160340		Rev. C

GOUDSMIT
MAGNETIC SYSTEMS

© All rights reserved. Reproduction is not permitted without written permission of GOUDSMIT Magnetic Systems BV