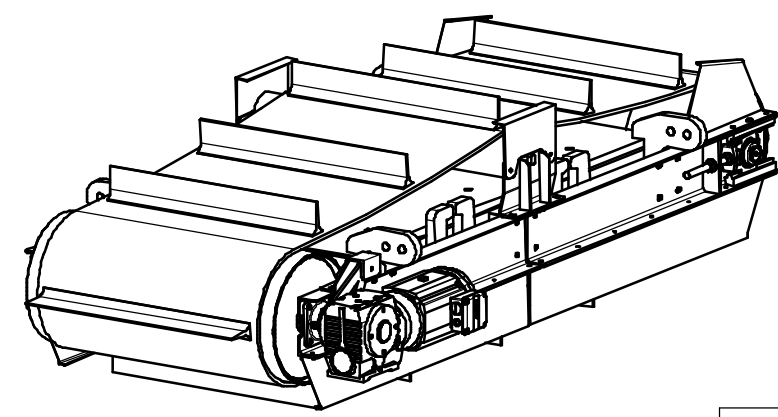
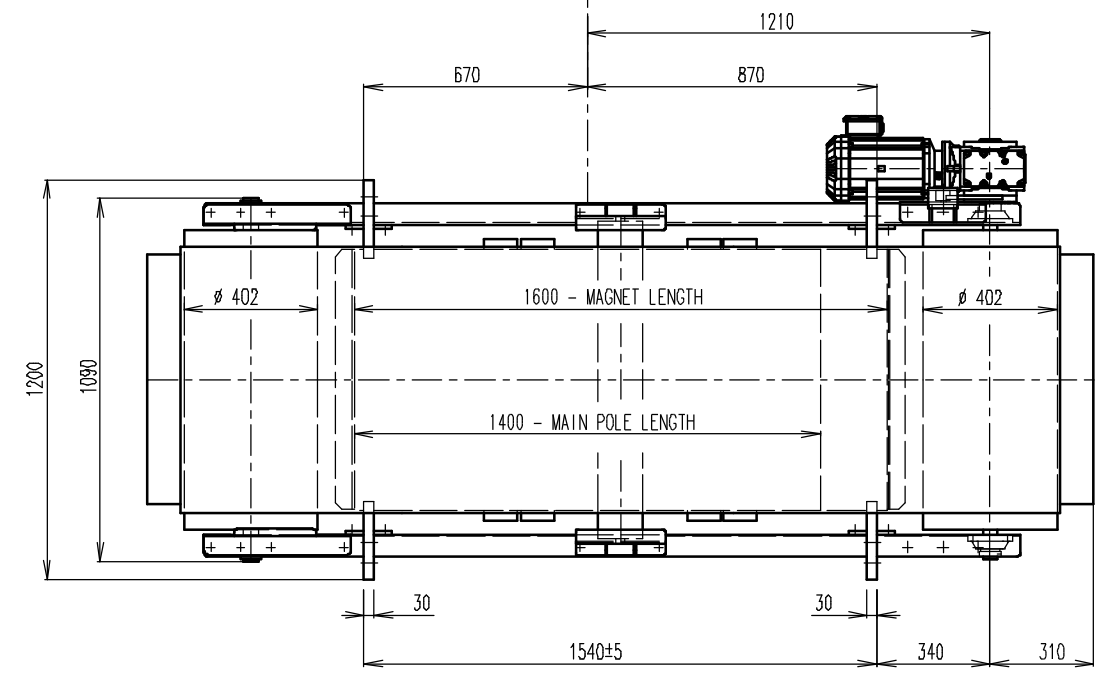
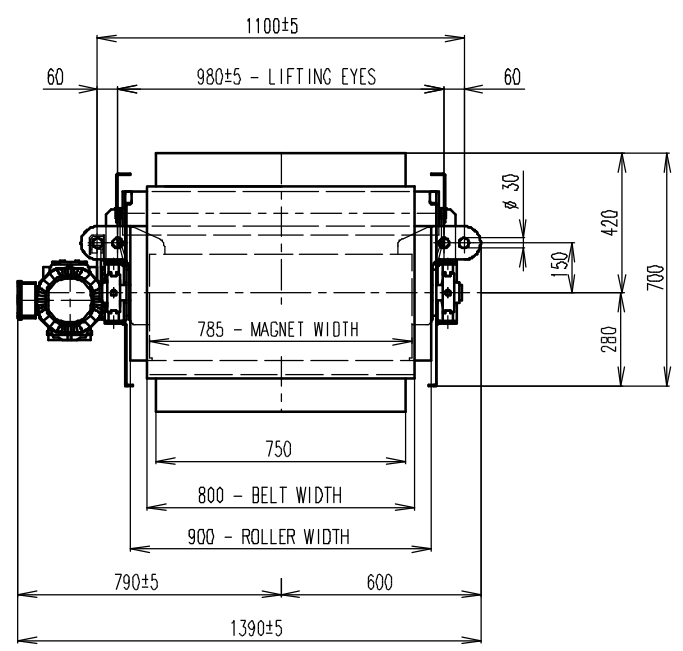
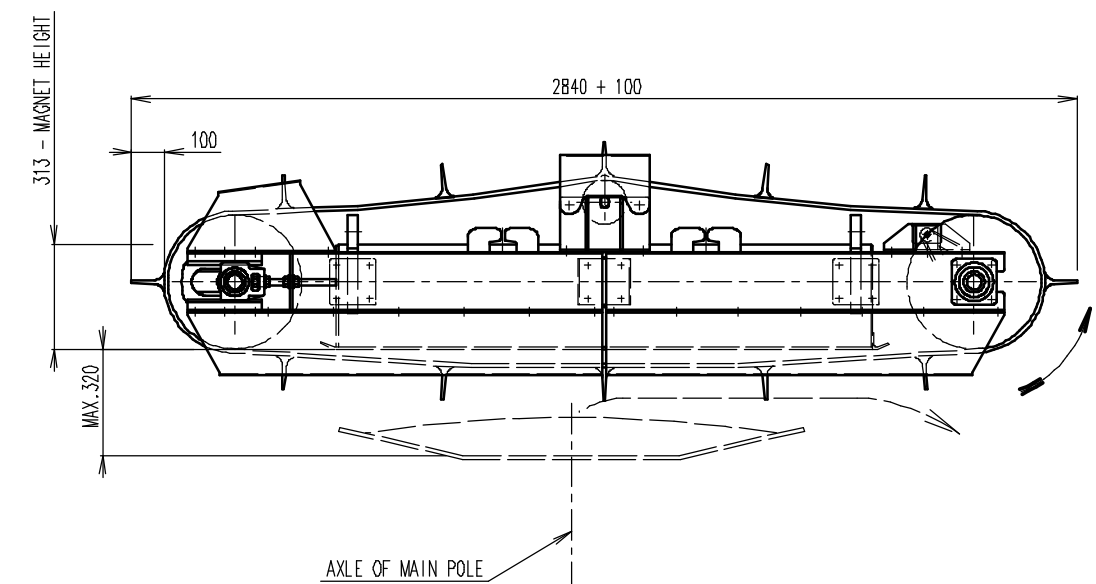


REV	DATE	BY	DESCRIPTION
C	16.09.2016	LF	MAGNET WIDTH 785 (WAS 780)



- GEARED BOX SEW SA67/TDRN100L4, i=20,37 (71RPM), MOTOR 230/400V, 3kW, 50Hz, IP54
- DRUM SPEED 71/min
- BELT EP500, LENGTH 5770, WIDTH 800, 12 CLEATS T100/10, WIDTH 750
- BELT SPEED 1,5 m/s

RAW MAT.	QTY	MAT. NUMBER	MAT. DESCRIPTION	LENGTH (mm)	WIDTH (mm)
Sheet: A2		Extra info:		General tolerance: ISO 2768 - cL	
Drawn by: LF		Weight (kg): 2165		Drawn according: ISO268; ISO1101; ISO2553	
Date: 16.09.2016		<b>GOUDSMIT</b> <b>MAGNETIC SYSTEMS</b> <small>© All rights reserved. Reproduction is not permitted without written permission of GOUDSMIT Magnetic Systems BV</small>		Status:	
Scale: 1:15				Customer reference number:	
Quick search: ROFC		Description: PERMANENT OVERBELT MAGNET FOR CROSS MOUNTING		Product key: ROP-F4-C-140-W-G-L-B-B-NA	
				Part number: ROFC140340	
				Rev: C	