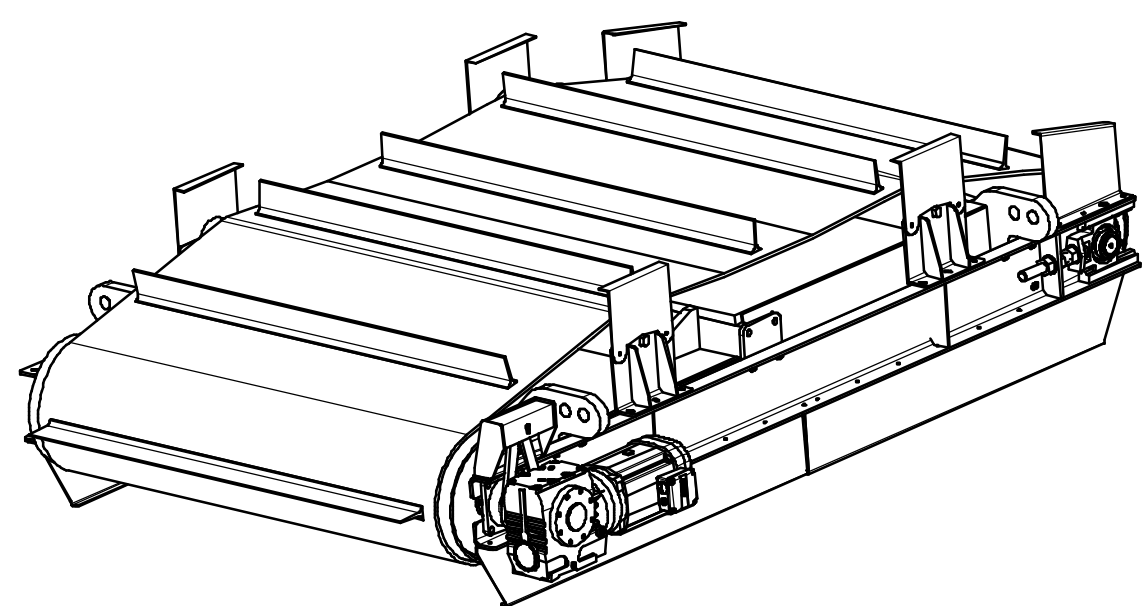
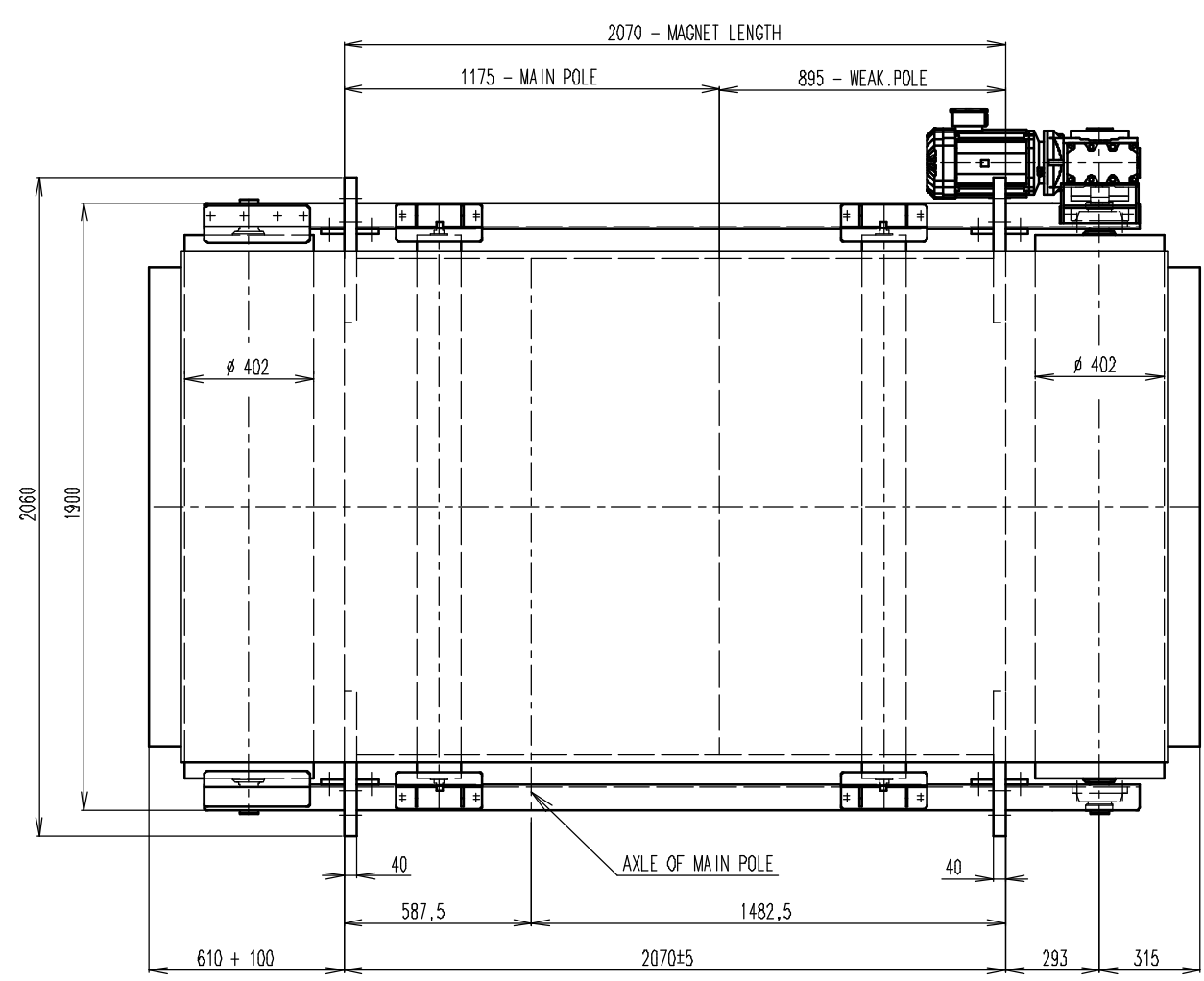
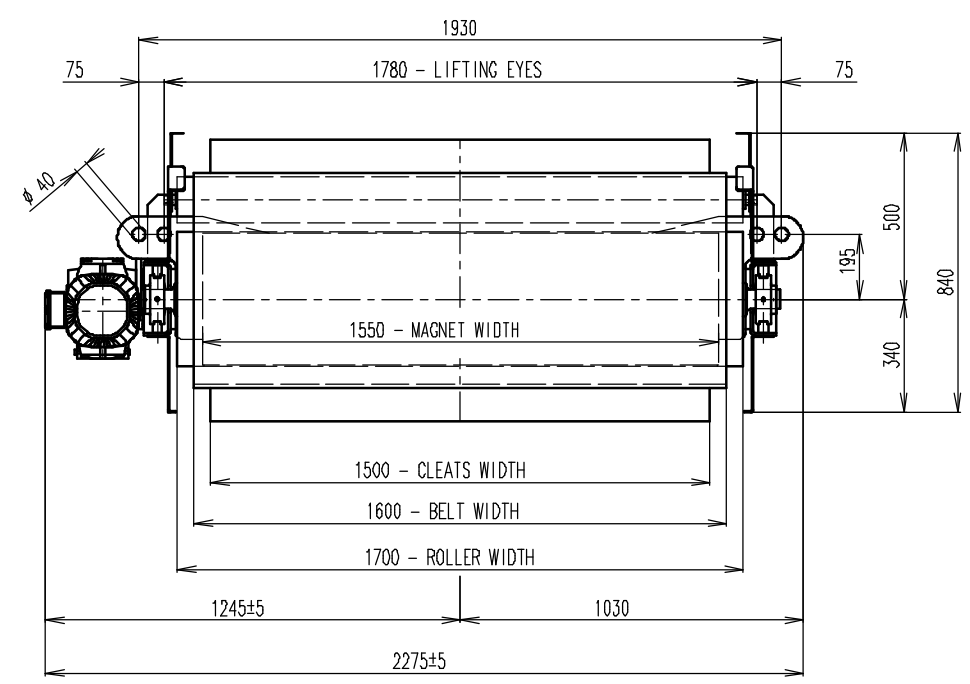
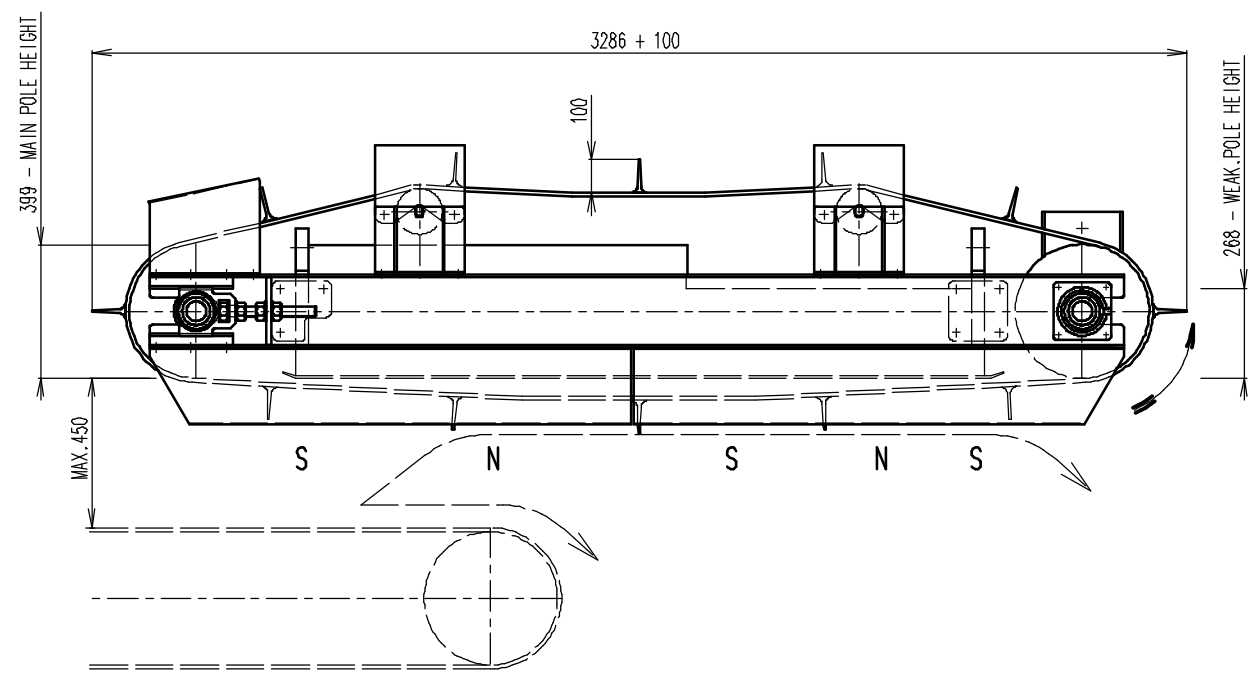


REV	DATE	BY	DESCRIPTION
B	12.10.2016	LF	NEW SYSTEM OF PRODUCT KEY



- GEARED BOX SEW SA77/TDRN112M4, i=20,99 (70RPM), MOTOR 230/400V, 4kW, 50Hz, IP 54
- DRUM SPEED 70/min
- BELT TYPE EP500, LENGTH 6700, WIDTH 1600, 12 CLEATS T100/10, WIDTH 1500
- BELT SPEED 1,45 m/s

RAW MAT.	QTY	M6D_000000	MAT. NUMBER	MAT. DESCRIPTION	LENGTH (mm)	WIDTH (mm)
Sheet: A2	Extra Info:		General tolerance: ISO 2768 - cL			
Drawn by: LF	Weight (kg): 5600	Drawn according: ISO268; ISO1101; ISO2553		Status:		
Date: 12.10.2016	Scale: 1:15		Customer reference number:			
Quick search: ROF1	Description: PERMANENT OVERBELT MAGNET FOR IN LINE MOUNTING		Product key: ROP-F6-1-160-W-G-L-B-B-B-NA		Part number: ROF1160360	
© All rights reserved. Reproduction is not permitted without written permission of GOUDSMIT Magnetic Systems BV		Rev. B				