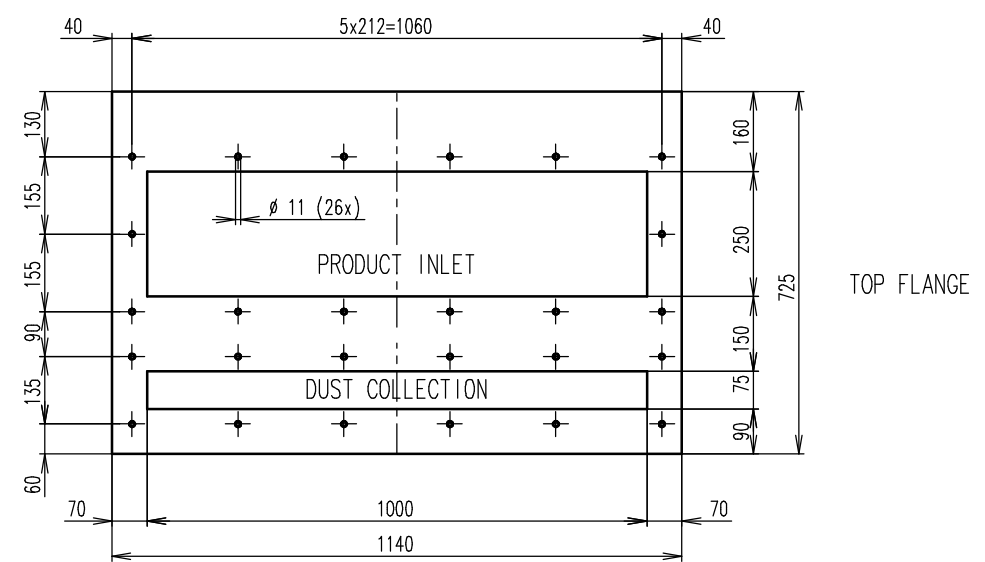
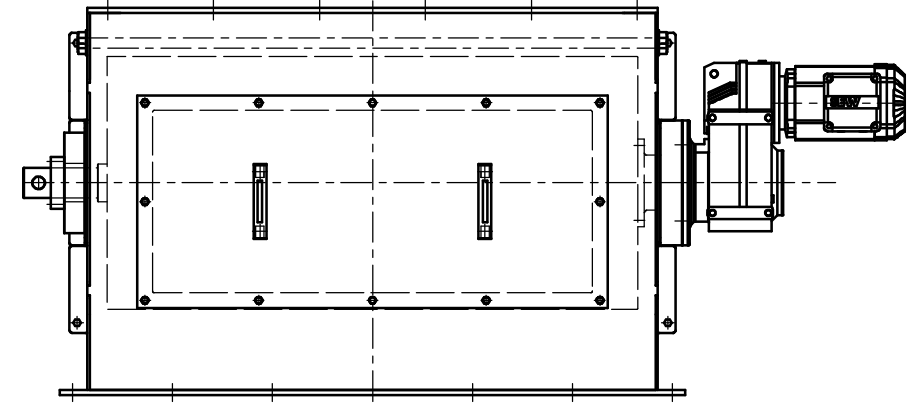
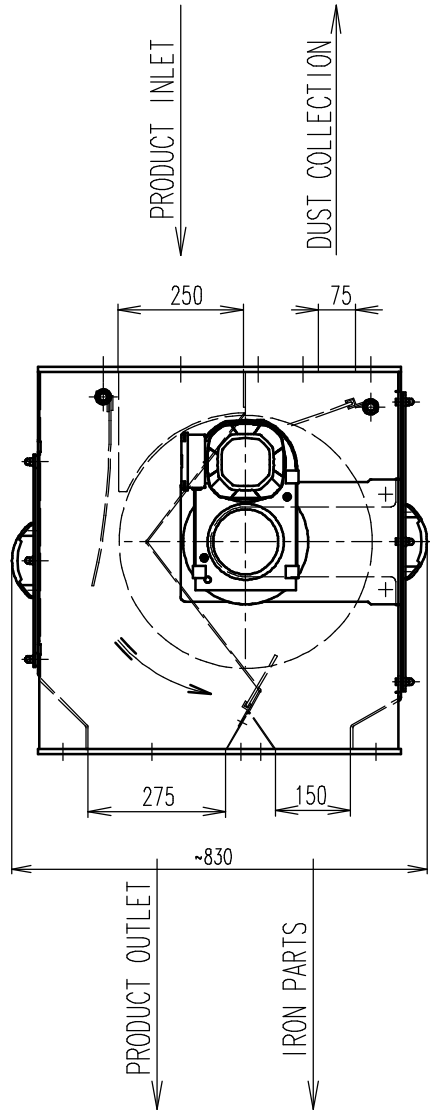
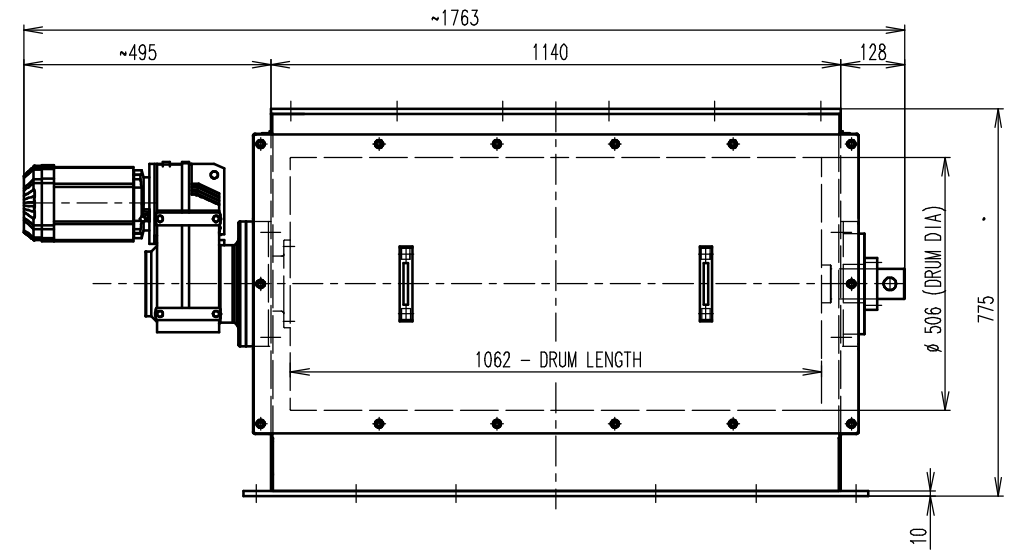
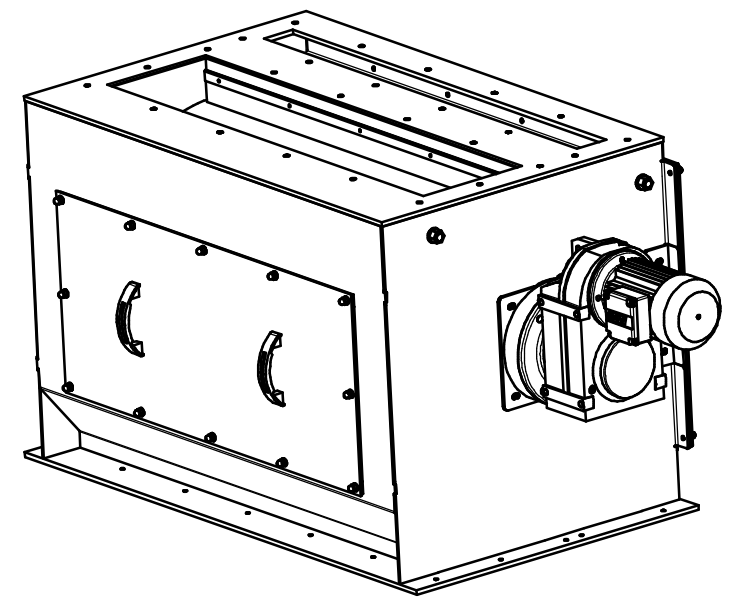
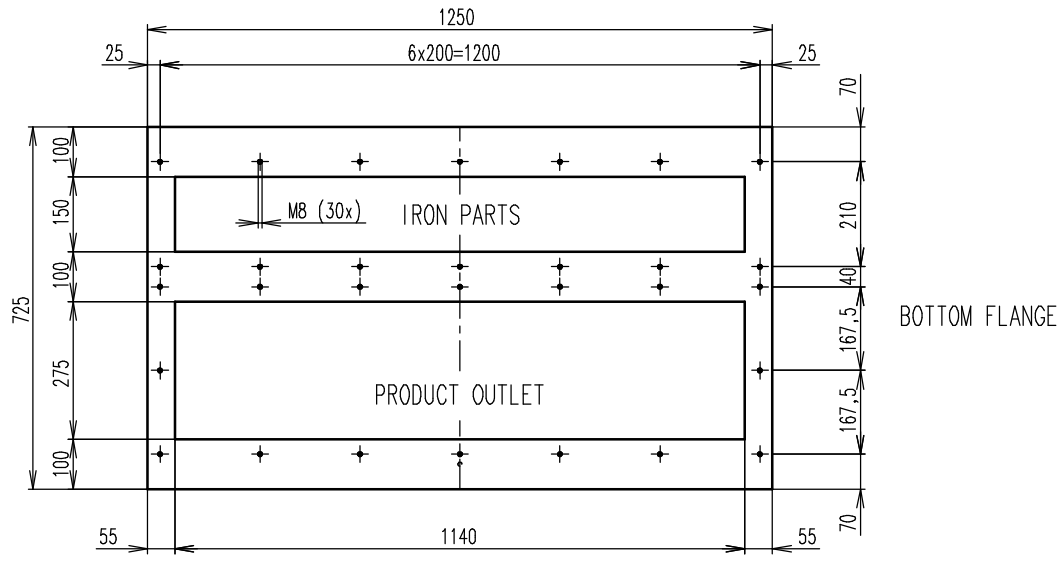


Revis. Name: LF	ORIGINAL DRAWING	Revis. Name: LF	SUPPORT OF BRUSH CLEANING STRIP CHANGED
A Date: 30.01.07		C Date: 12.03.11	
Revis. Name: LF	DRIVE SEW FF67DRS80S4 (WAS FF67DT80N4)	Revis. Name: LF	DRIVE SEW FF67DRE80M4 (WAS FF67DT80N4)
B Date: 22.04.09		D Date: 15.01.13	



GEARED BOX SEW FF67DRE80M4,
0,75kW, 21 RPM

DRUM SPEED = CCA 33 m/min
CAPACITY = CCA 180 m³/Hr

Reference WAMAG: 991_000000_C

General Tolerances (not tol. measures) ISO 2768 - cL	General Tolerances on weld length 0/20%	Drawing rules acc. ISO 286 ISO 1101 ISO 1302 ISO 2553	
Drawn: LF	Scale: 1:10	Order:	Quant:
Date: 15.01.2013	Status:	Partorder:	
Title: DRUM MAGNET IN HOUSING DRUM DIA=500, LENGTH 1000, CROSS POLE TOTAL WEIGHT 700 kg			
GOUDSMIT® Magnetic systems		Number: SRTK100054w	Rev: D