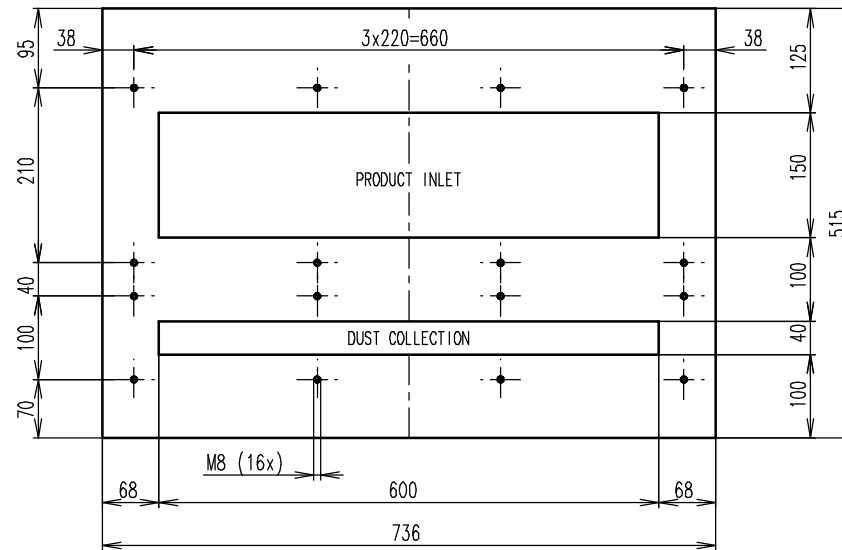
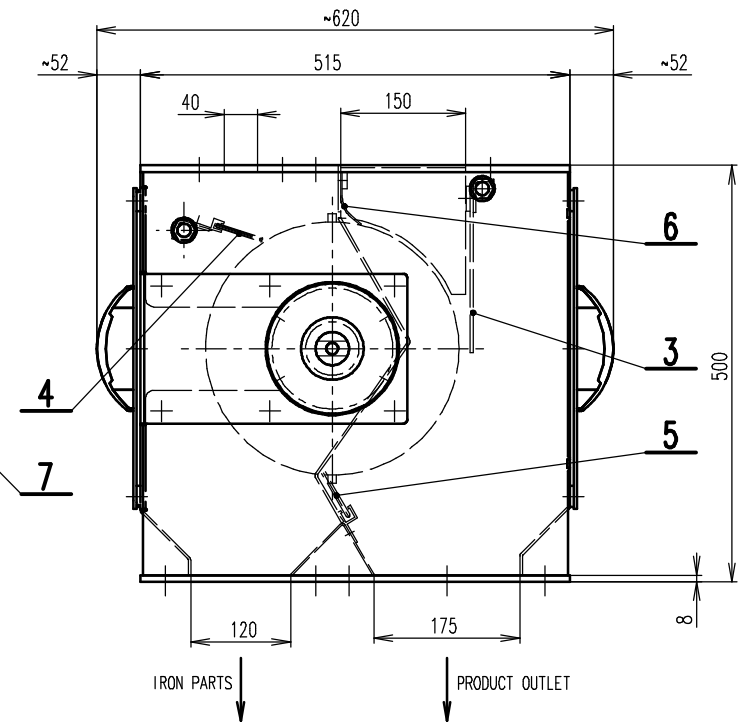
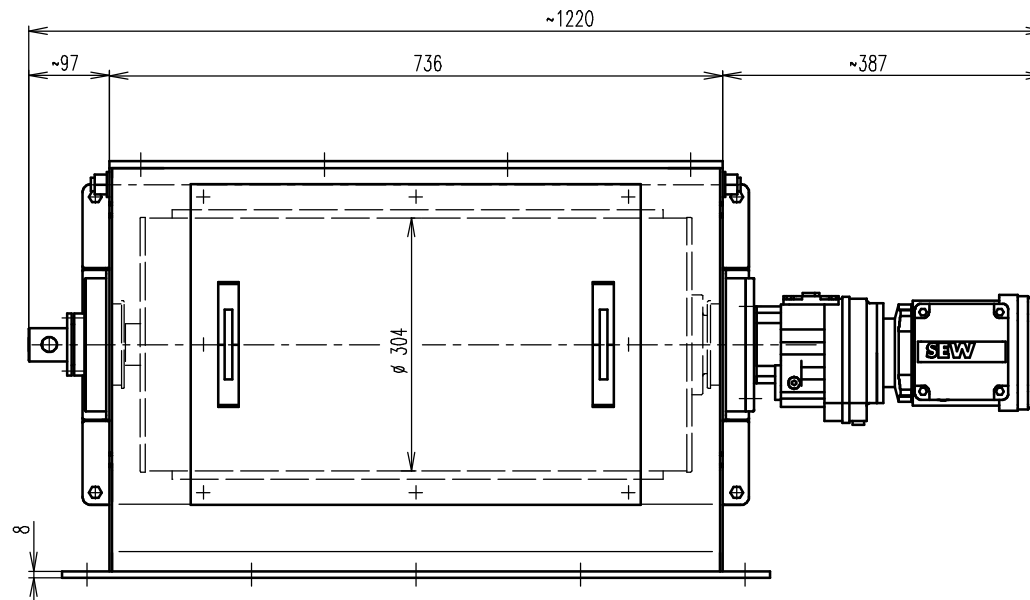
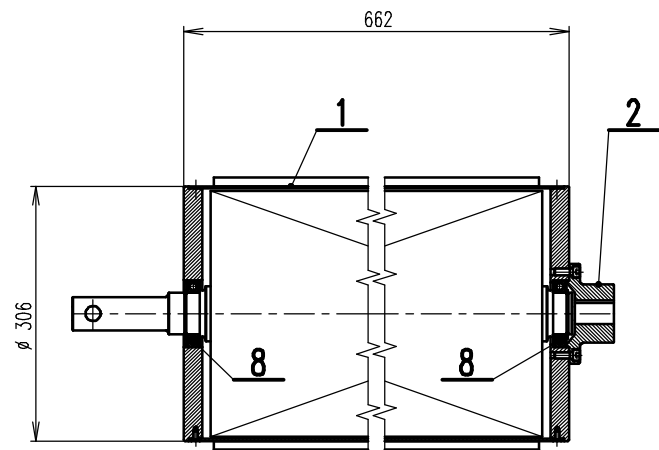
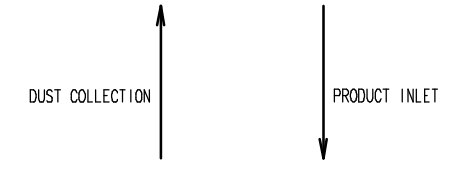


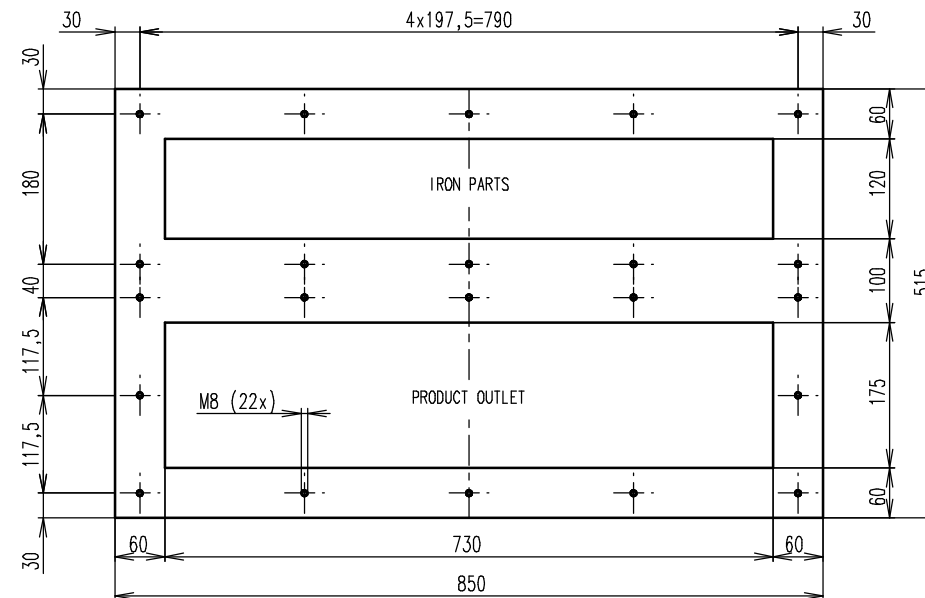
TOP FLANGE



- GEARED BOX SEW RF37DRS71S4, i=55,76, 25 RPM, FLANGE Ø160,  
 MOTOR 0,37kW, 400V, 50Hz, IP54  
 - DRUM SPEED 24 m/min  
 - CAPACITY = 52 m<sup>3</sup>/hr



BOTTOM FLANGE



Position	Reference number	Specification	Size 1	Size 2	Material	Unit	Number	Mass
8	15_0406010	BEARING 6010-2RS					2	0.26
7	MS03702504	SEW RF37DRS71S4, P=0,37kW				SEW	1	18
6	845_010011_B	INPUT RUBBER SLAT	600	77			1	0.12
5	845_000001	BOTTOM BRUSH STRIP SRTK060034	725				1	0.5
4	845_070001	TOP BRUSH STRIP SRTK060034	620				1	0.6
3	845_060002	RUBBER FLAP	620	200			1	0.6
2	819_000003	DRIVE SHAFT SRTM040034w	62			11523	1	2
1	845_020200_B	SHELL SRTM060034w					1	15.3

General Tolerances (not tol. measures) <b>ISO 2768 -</b>	General Tolerances on weld length <b>0/20%</b>	Drawing rules acc. <b>ISO 286 ISO 1101 ISO 1302 ISO 2553</b>	
Drawn: LF	Scale: 1:6	Order:	
Date: 08.01.2013	Status:	Partorder:	
Title: <b>SPARE PARTS FOR SRTK060034w</b> VALID FOR SRTK060034w.D (ASSEMBLY 845_000000.D)			
<b>GOUDSMIT®</b> Magnetic systems		Number: <b>SRTK060034w_SP</b>	Rev: <b>A</b>