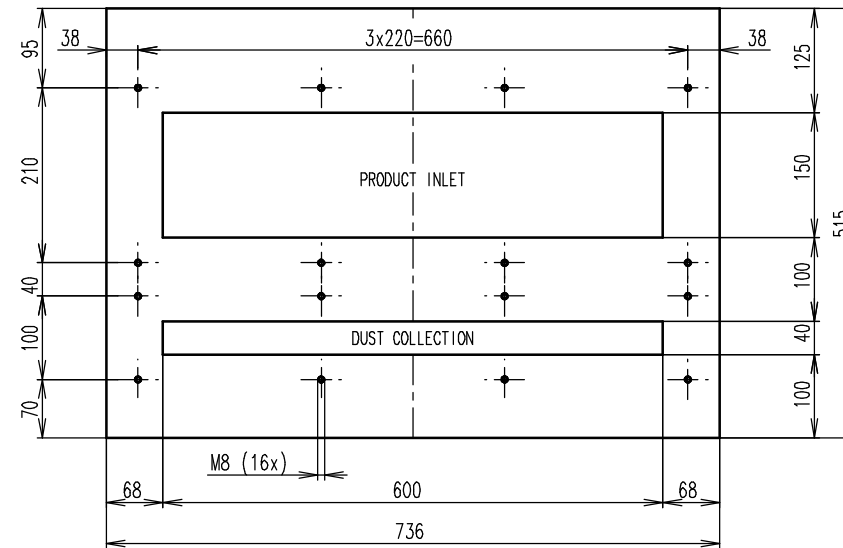


Revis. Name: LF	REFERENCE DRAWING: SRTK060034 B
A Date: 01.10.04	
Revis. Name: LF	DRUM DIAMETER 306 WAS 298 (STANDARD PIPE 306x3 APPLY)
B Date: 06.02.07	
Revis. Name: LF	GEARED BOX SEW RF37DRS71S4 (WAS RF37DT71D4)
C Date: 05.12.09	
Revis. Name: LF	ADDED UPPER CLEANING BRUSH
D Date: 07.01.13	

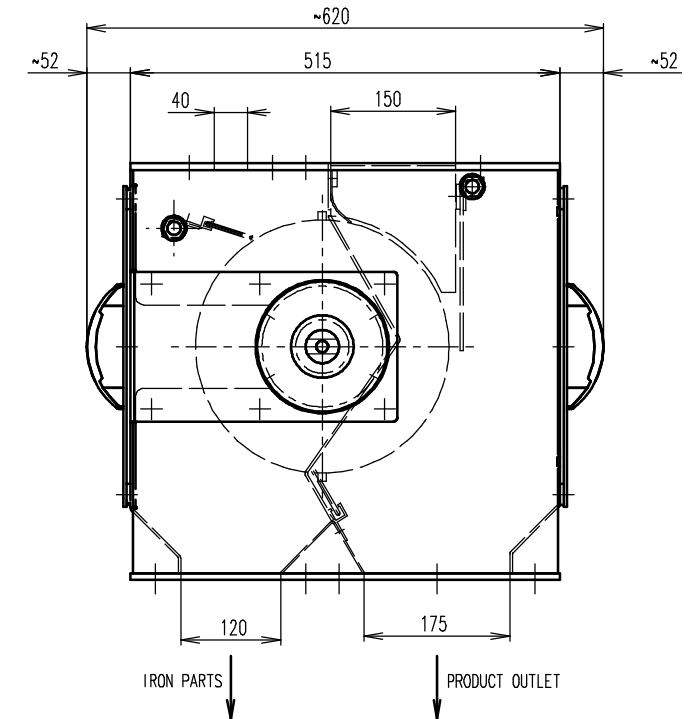
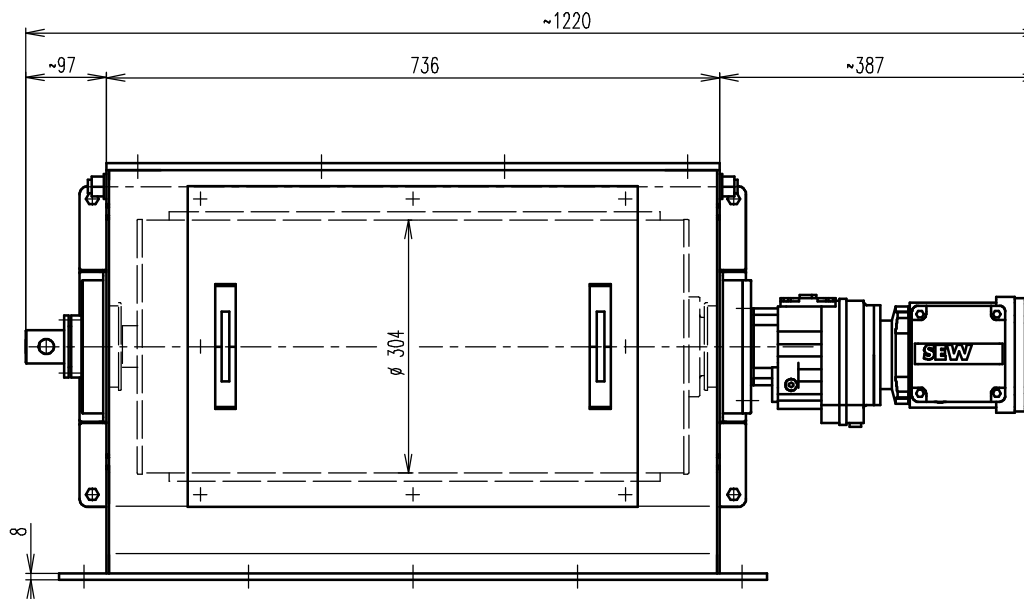
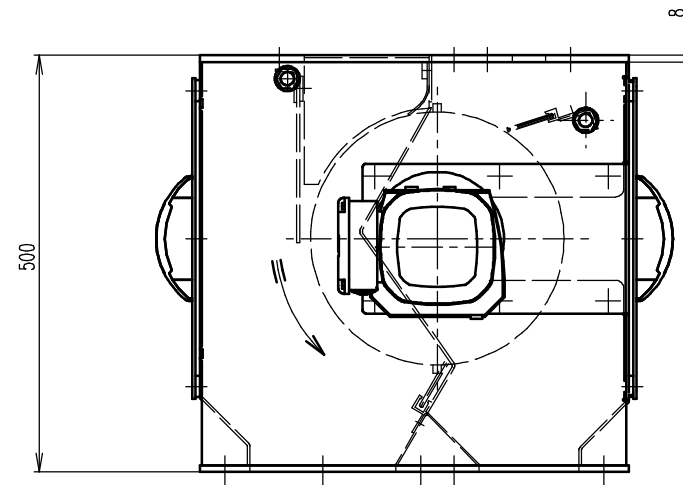
- GEARED BOX SEW RF37DRS71S4, i=55,76, 25 RPM, FLANGE $\phi 160$, MOTOR 0,37kW, 400V, 50Hz, IP54
- DRUM SPEED 24 m/min
- CAPACITY = 52 m³/hr

TOP FLANGE

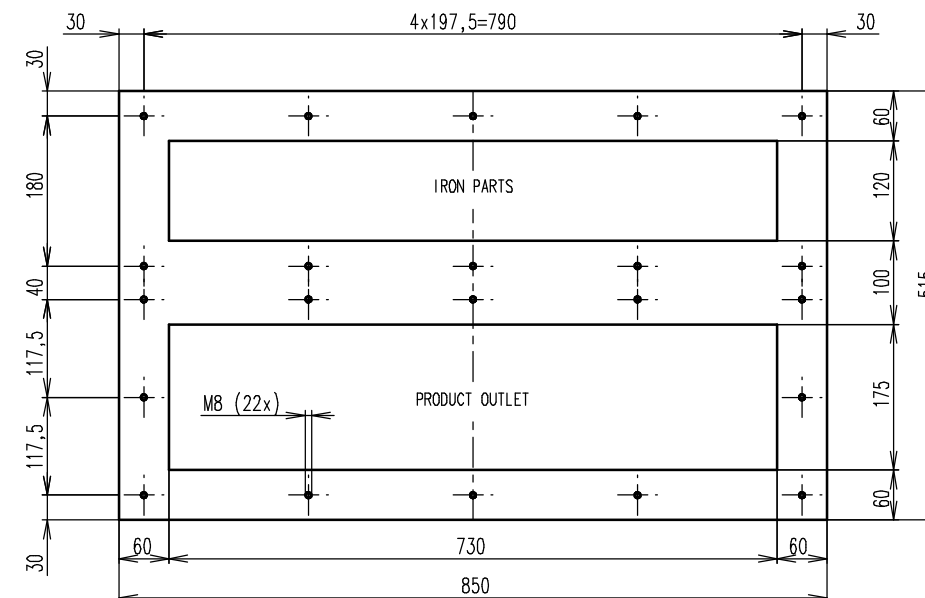


DUST COLLECTION

PRODUCT INLET



BOTTOM FLANGE



Reference WAMAG: 845_000000_E

General Tolerances (not tol. measures) ISO 2768 - cL	General Tolerances on weld length 0/20%	Drawing rules acc. ISO 286 ISO 1101 ISO 1302 ISO 2553	
Drawn: LF	Scale: 1:6	Order:	Quant:
Date: 07.01.2013	Status:	Partorder:	
Title: DRUM MAGNET IN HOUSING DRUM DIA: 300 LENGTH 600 CROSS POLE TOTAL WEIGHT 210 kg			
GOUDSMIT® Magnetic systems		Number: SRTK060034w	Rev: D