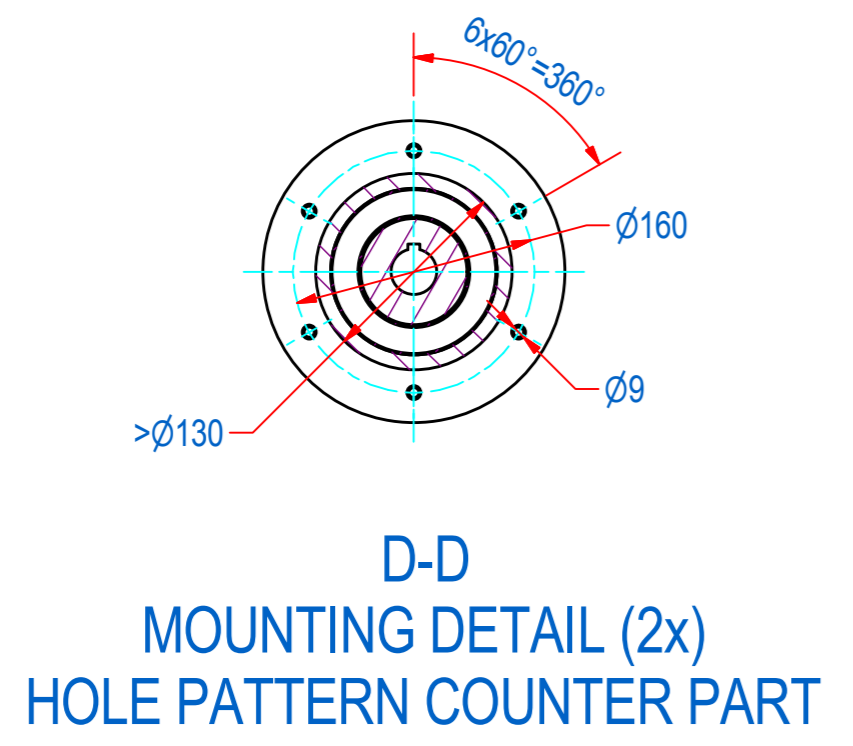
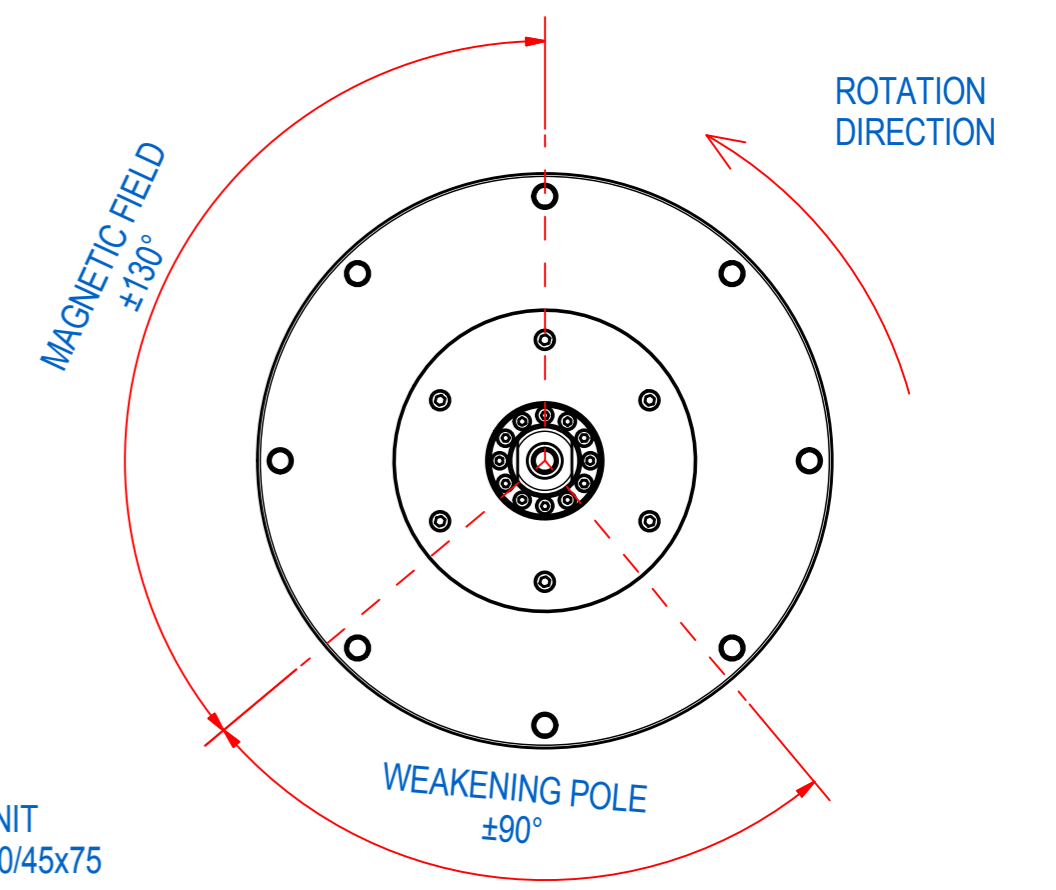
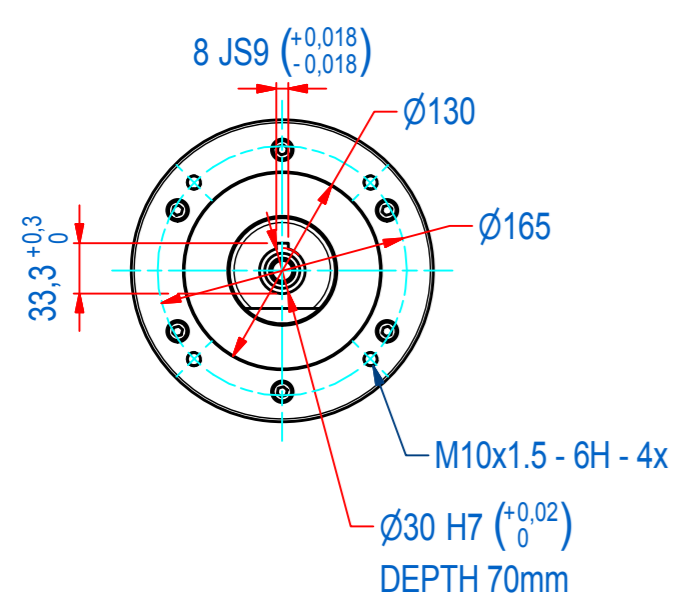
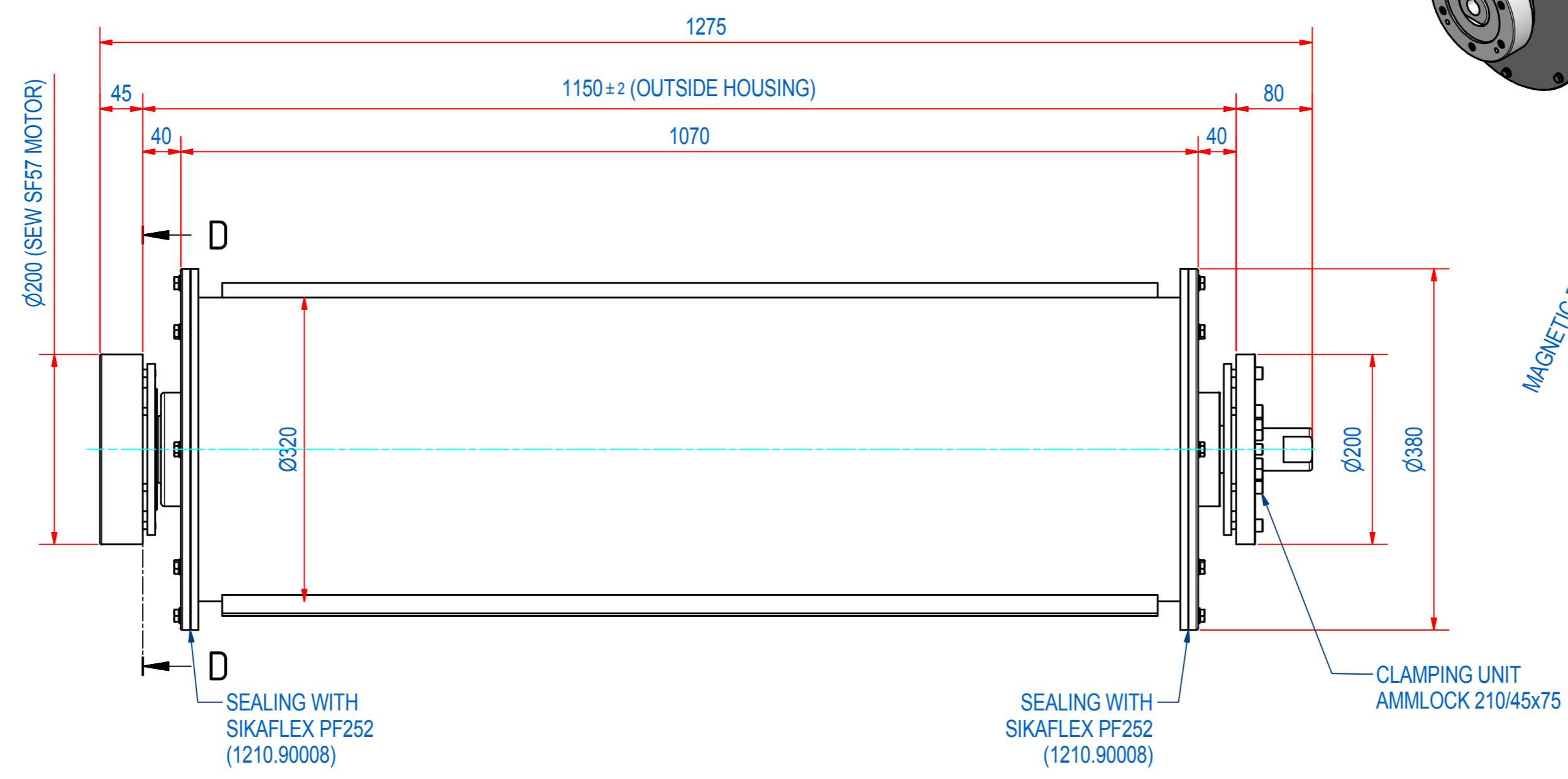
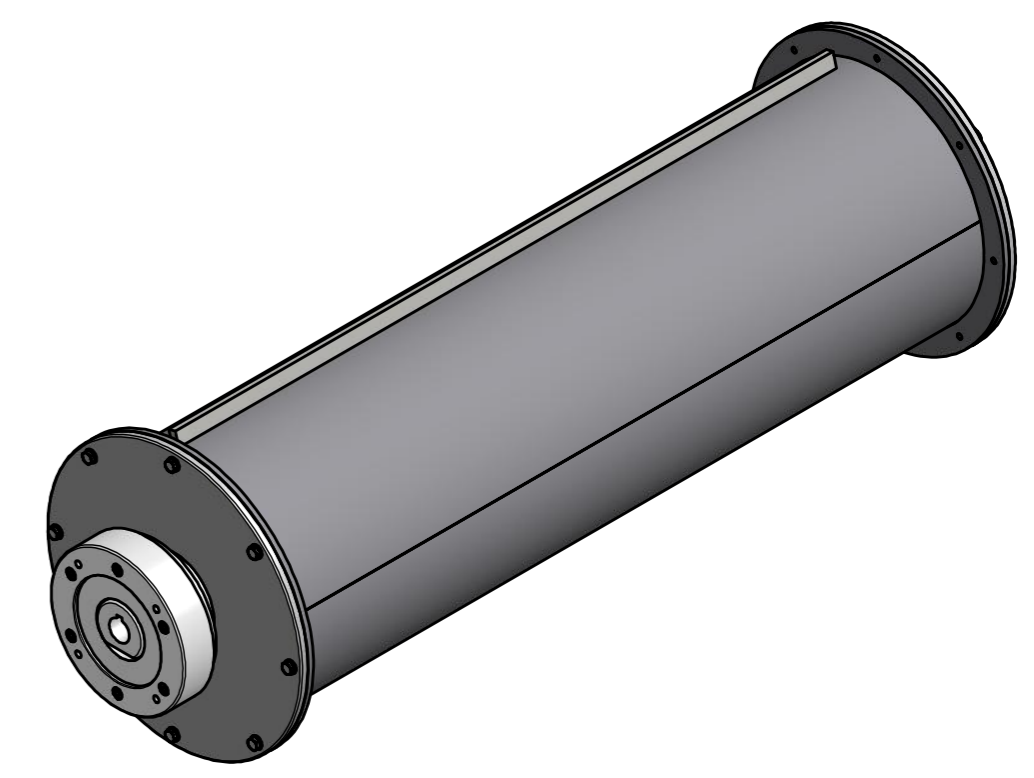


REV	DATE	BY	DESCRIPTION
B	23-9-2015	TD	
C	3-2-2016	GS	DIMENSIONS, SHELL CHANGED
D	19-10-2016	DD	PRODUCT KEY CHANGED



ITEM	QTY	PART NUMBER	DESCRIPTION	Dimensions	
3	1	E0047941	SHELL WITH CLEATS RECD 10		
2	1	E0011058	DR-00 FLANGE ASSY ALU		
1	1	E0019870	DR-10-H MAGNET PACK		
RAW MAT.	QTY	MAT. NUMBER	MAT. DESCRIPTION	LENGTH (mm)	WIDTH (mm)
⊕	1		Sheet: A2 Weight (kg): 281,6 Date: 15-12-2014 Spare part: False Quick search: RMD-10 Description: RMD-10-32-RN-H-OR-20S2	General tolerance: ISO 2768 - mK Drawn according: ISO268; ISO1101; ISO2553 Status: Released Customer reference number: Document number: E0026229 Part number: E0026228	