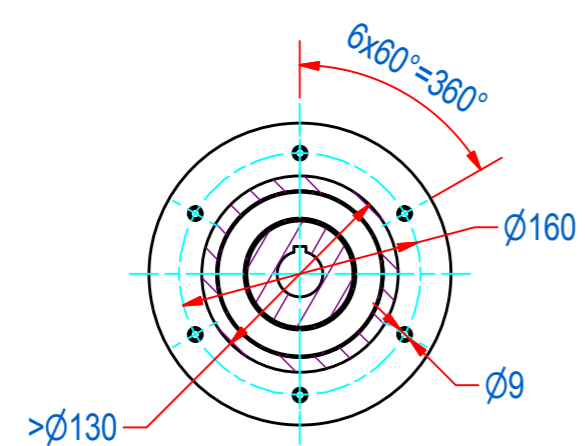
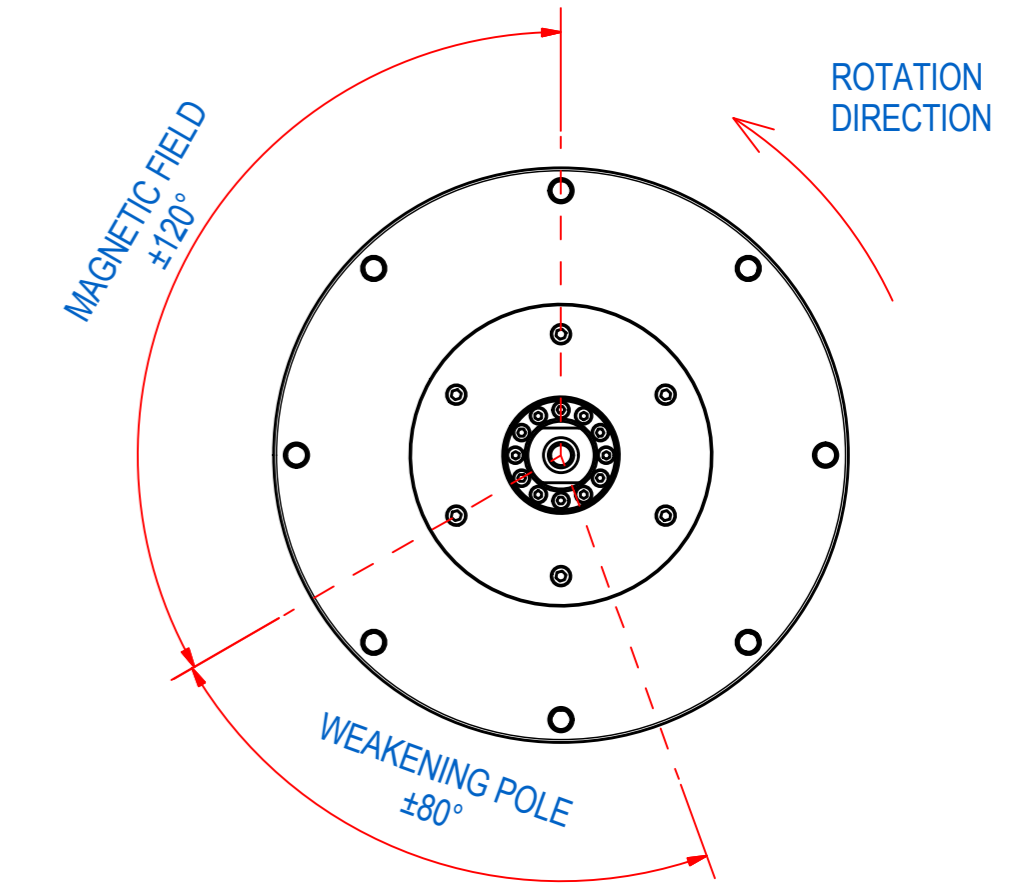
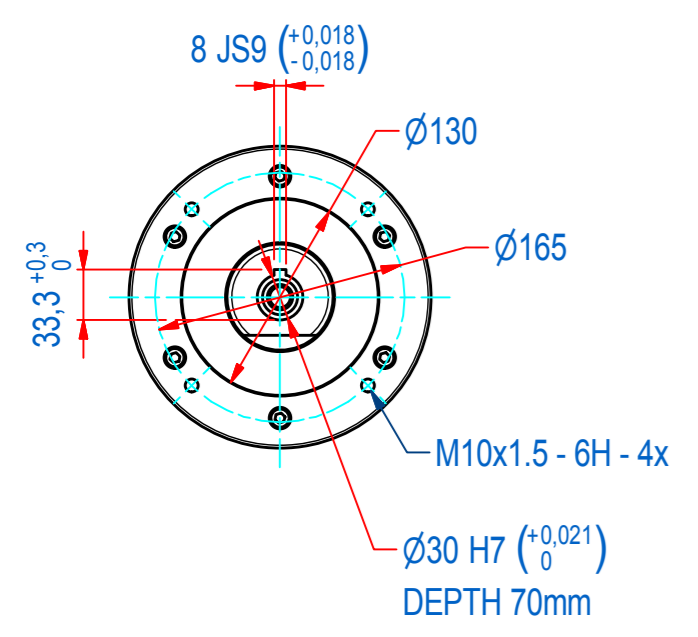
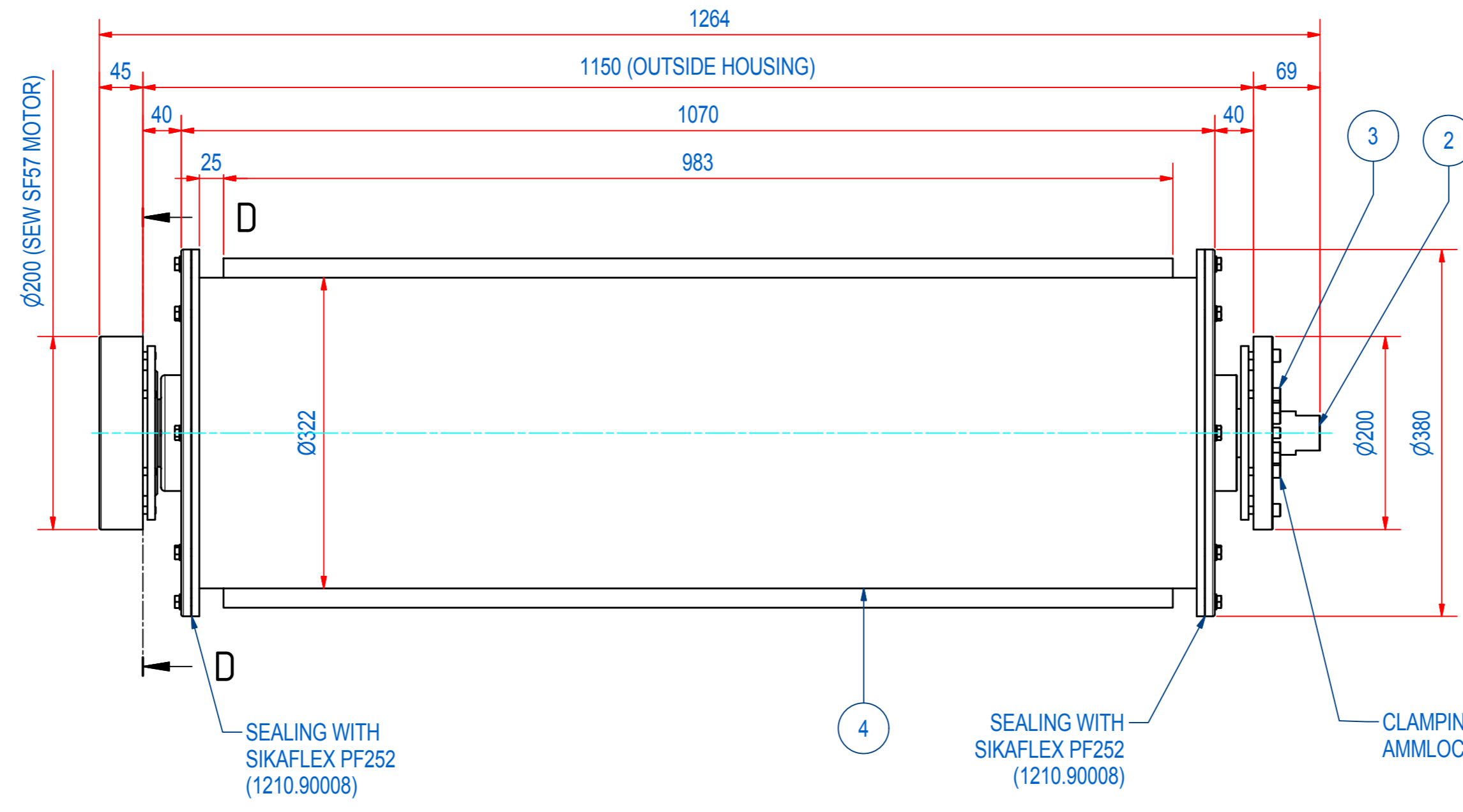
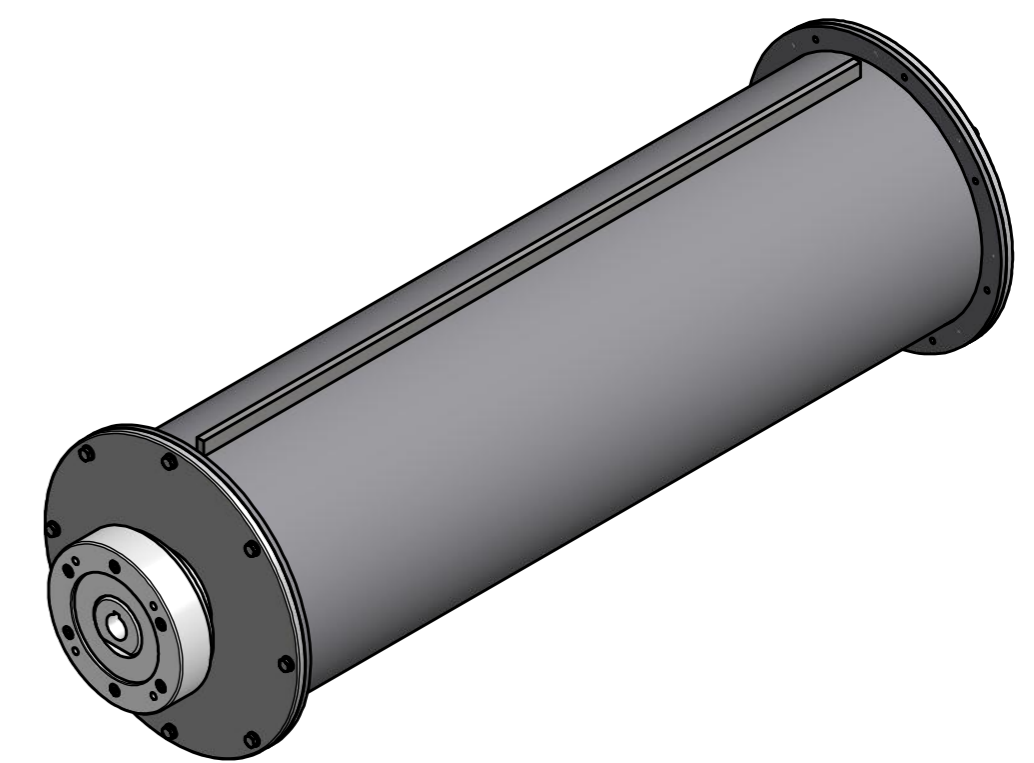


REV	DATE	BY	DESCRIPTION
A	23-9-2015	TD	
B	25-1-2016	GS	BENDED SHELL (E0019842) CHANGED FOR ROLLED SHELL (E0041311)
C	19-10-2016	DD	DIMENSIONS ADDED, SHELL CHANGED, PRODUCT KEY CHANGED



ITEM	QTY	PART NUMBER	DESCRIPTION	Dimensions	
4	1	E0060297	SHELL WITH CLEATS RECD 10		
3	1	E0011058	DR-00 FLANGE ASSY ALU		
2	1	E0017824	DR-10 AXLE ST		
1	1	E0019943	DR-10-P MAGNET PACK		
RAW MAT.	QTY	MAT. NUMBER	MAT. DESCRIPTION	LENGTH (mm)	WIDTH (mm)
	1				
Sheet: A2		Extra info:		General tolerance: ISO 2768 - mK	
Drawn: TD		Weight (kg): 283,1		Drawn according: ISO268; ISO1101; ISO2553	
Date: 9-12-2014		Goudsmit MAGNETIC SYSTEMS		Status: Released	
Spare part: False		© All rights reserved. Reproduction is not permitted without written permission of GOUDSMIT Magnetic Systems BV		Customer reference number:	
Quick search: RMD-10		Description: RMD-10-32-RN-P-OR-30S2		Document number: E0025960 Doc.Rev: C	
				Part number: E0025960 Rev: C	