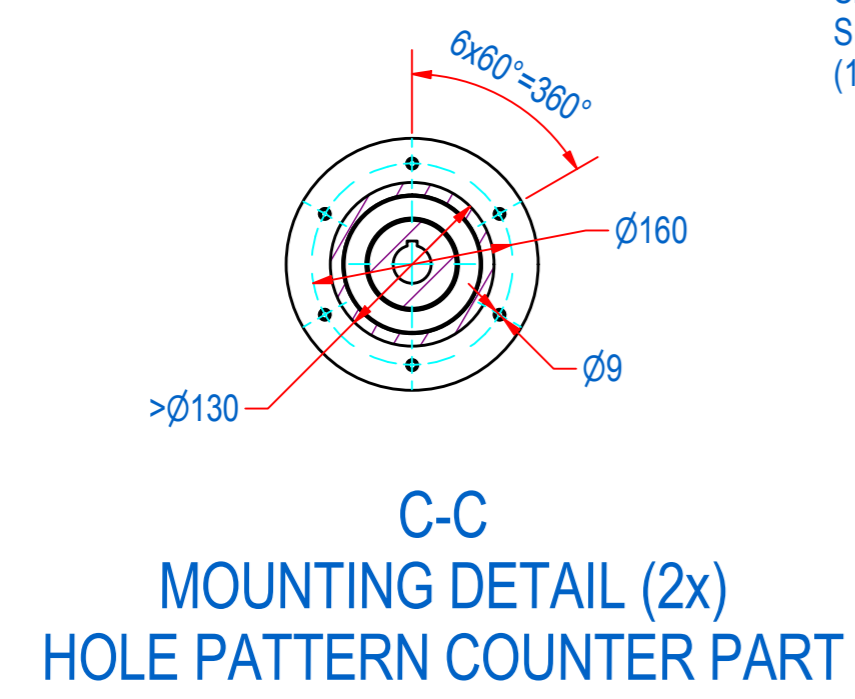
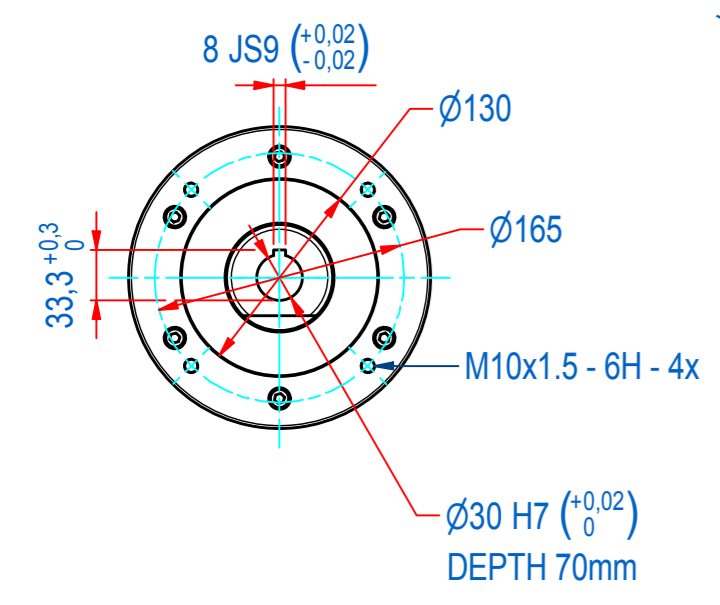
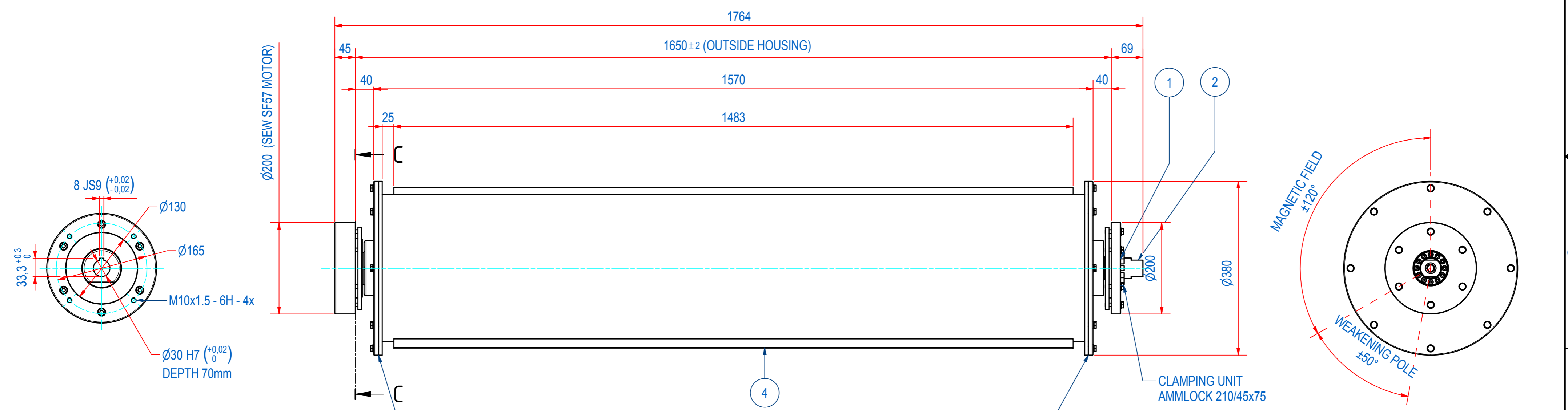
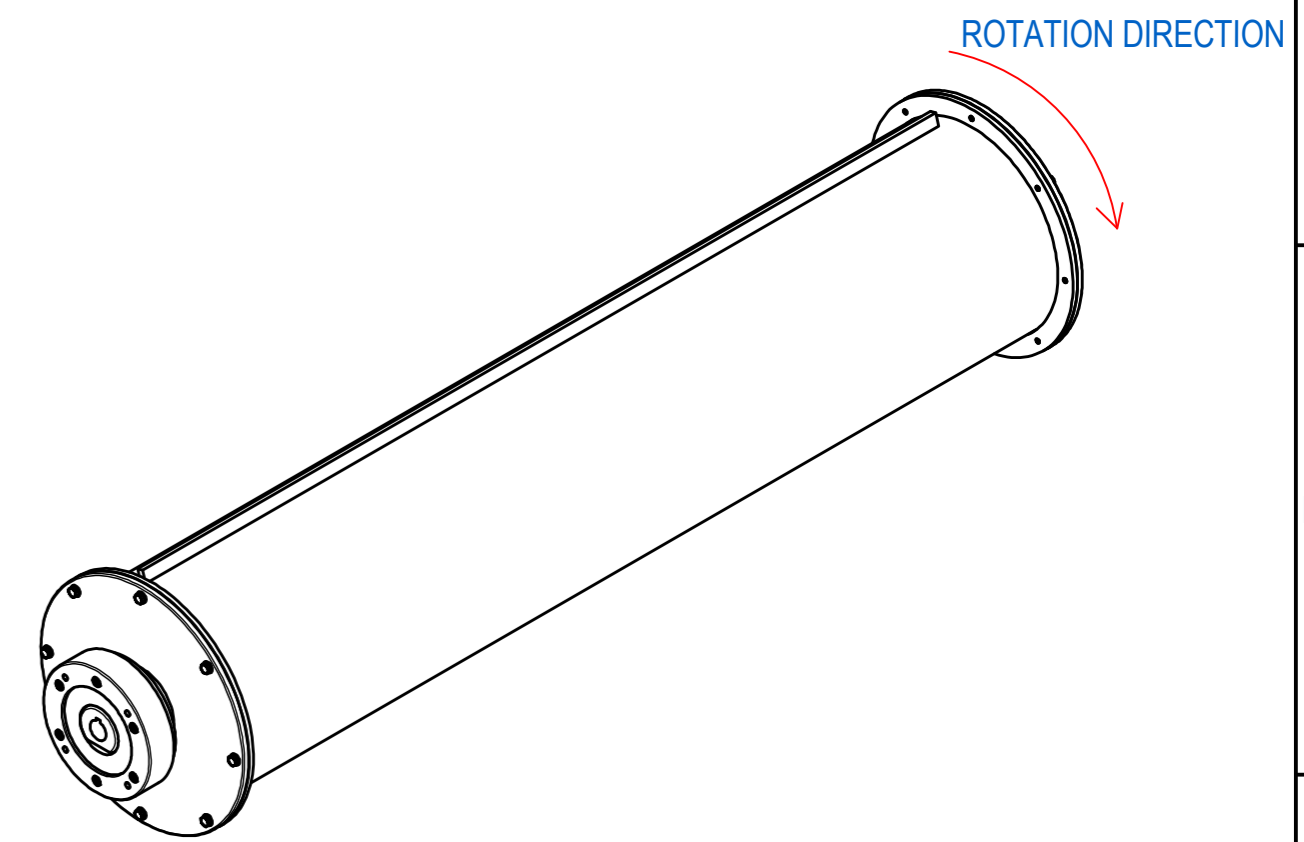


REV	DATE	BY	DESCRIPTION
B	15-2-2016	GS	SHELL E0049003 WAS E0019843
C	27-9-2016	DD	TEXT ADDED, PRODUCT KEY CHANGED
D	12-3-2018	TT	ADDED POSITIONS AND ROTATION DIRECTION



SEALING WITH SIKAFLEX PF252 (1210.90008)

SEALING WITH SIKAFLEX PF252 (1210.90008)

CLAMPING UNIT AMMLOCK 210/45x75

ITEM	QTY	PART NUMBER	DESCRIPTION	Dimensions
4	1	E0049003	ROLLED SHELL ASSY	
1	1	E0011058	FLANGE ASSY	
2	1	E0017827	SUPPORTING AXLE	
3	1	E0019900	B-TYPE MAGNET PACK	

RAW MAT.	Quantity	Material Number	Material Description	Length (mm)	Width (mm)
	1				

Sheet:	A2	Extra info:	General tolerance:	ISO 2768 - mK	
Drawn:	TT	Weight (kg):	253,5	Drawn according:	ISO268; ISO1101; ISO2553
Date:	1-5-2019	Status:	Released		
Spare part:	False	Source:	MO-C	Customer reference number:	
Quick search:	RMD-15	Document number:	E0025951	Doc.Rev:	D
Description:	RMD-15-32-RN-B-OR-30S2			Part number:	E0025952
				Rev:	D



© All rights reserved. Reproduction is not permitted without written permission of GOUDSMIT Magnetic Systems BV