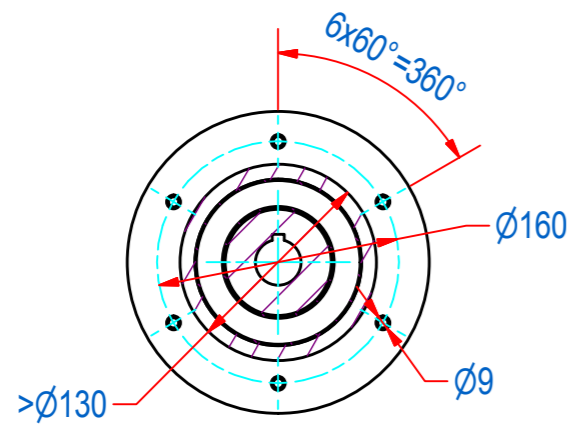
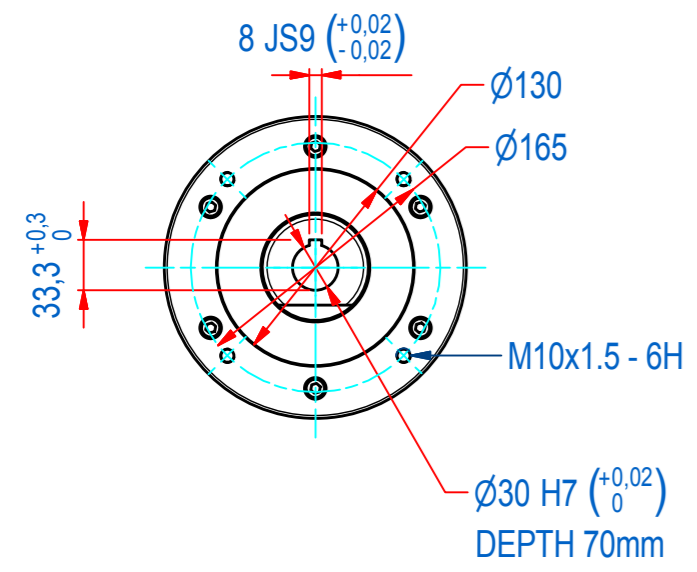
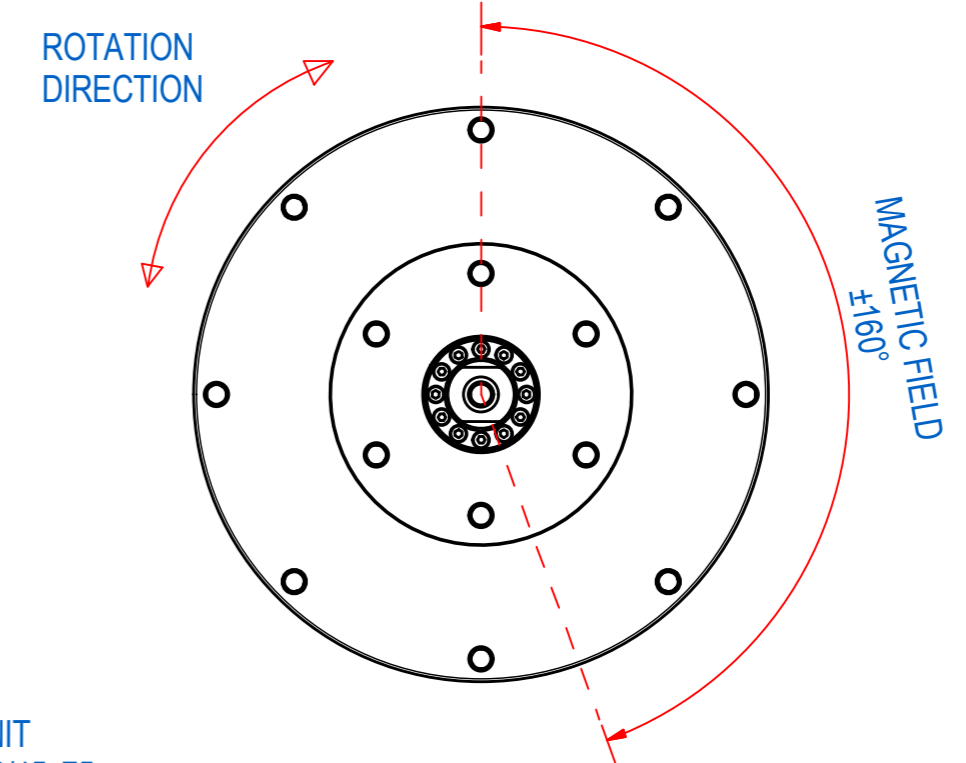
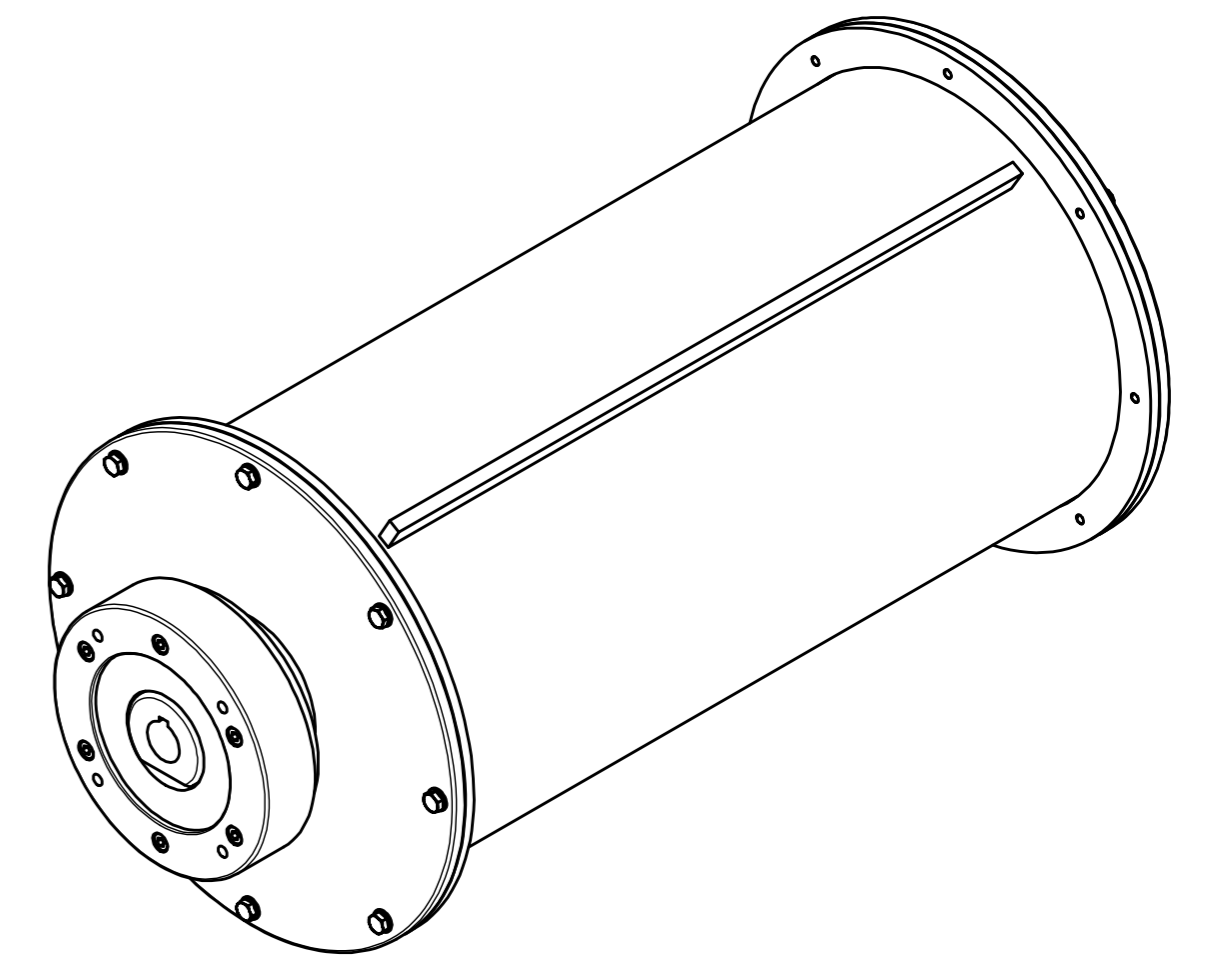
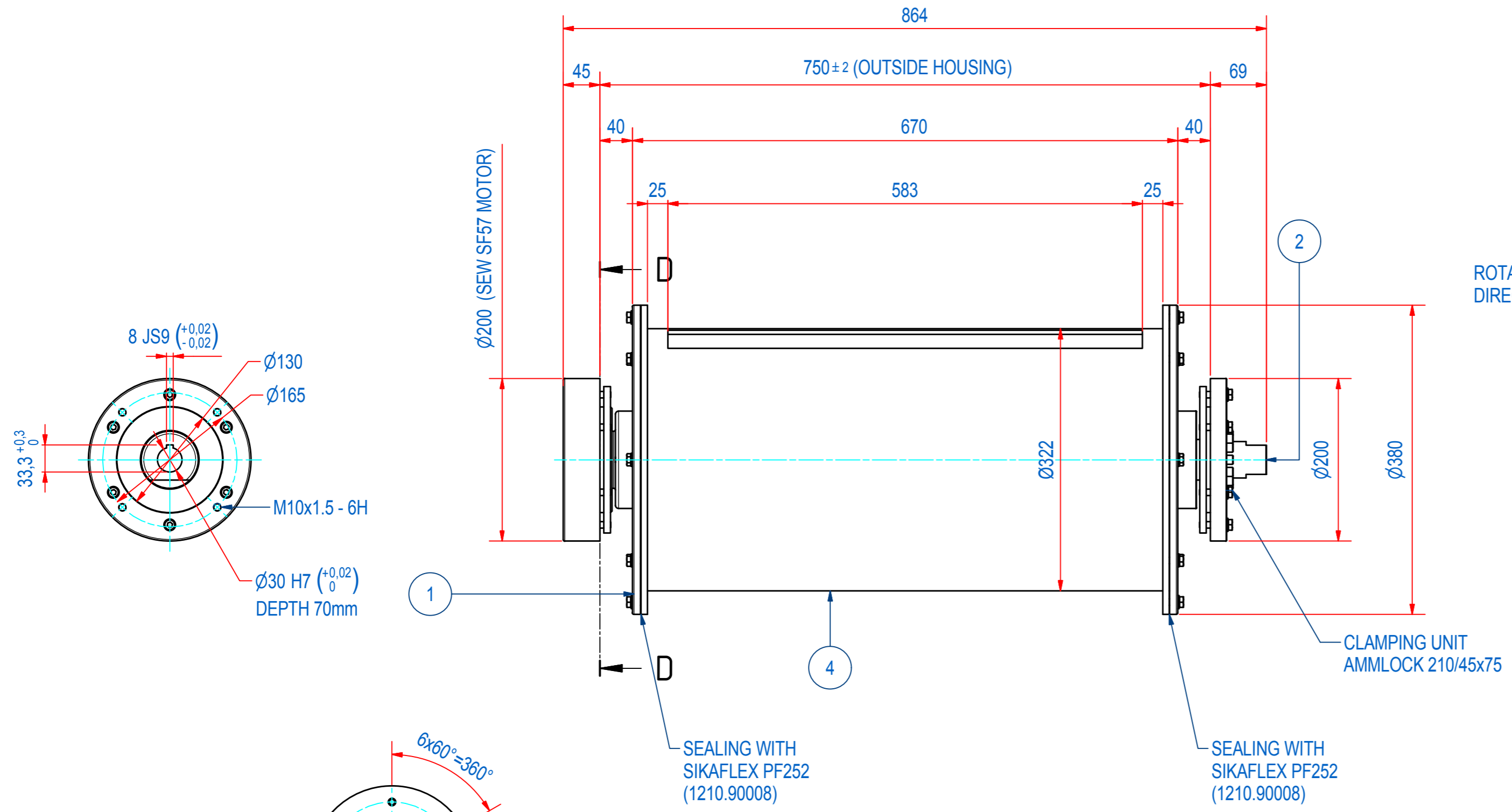


REV	DATE	BY	DESCRIPTION
A	23-9-2015	TD	
B	14-9-2016	DD	SHELL CHANGED, PRODUCT KEY CHANGED
C	13-2-2018	TT	CHANGED DRUM ASSY



**D-D  
MOUNTING DETAIL (2x)  
HOLE PATTERN COUNTER PART**

ITEM	QTY	PART NUMBER	DESCRIPTION	Dimensions
4	1	E0060208	SHELL WITH CLEATS RECD 06	
3	1	E0026021	DR-06-F DRUM ASSY	
2	1	E0017822	DR-06 AXLE R304	
1	1	E0011058	DR-00 FLANGE ASSY ALU	

RAW MAT.	QTY	MAT. NUMBER	MAT. DESCRIPTION	LENGTH (mm)	WIDTH (mm)
1	1				

Sheet: <b>A2</b>	Extra info: <b>SOFT DRUM 0.18 T</b>	General tolerance: <b>ISO 2768 - mK</b>
Drawn: <b>TD</b>	Weight (kg): <b>113,1</b>	Drawn according: <b>ISO268; ISO1101; ISO2553</b>
Date: <b>10-12-2014</b>		Status: <b>Released</b>
Spare part: <b>False</b>		Customer reference number:
Quick search: <b>RMD-06-32</b>	<b>GOUDSMIT</b> MAGNETIC SYSTEMS	File number: <b>E0026047</b> Rev: <b>C</b>
Description: <b>RMD-06-32-RN-F-OR-30S2</b>	© All rights reserved. Reproduction is not permitted without written permission of GOUDSMIT Magnetic Systems BV	Part number: <b>E0026046</b> Rev: <b>C</b>