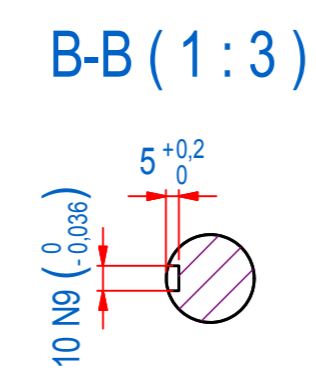
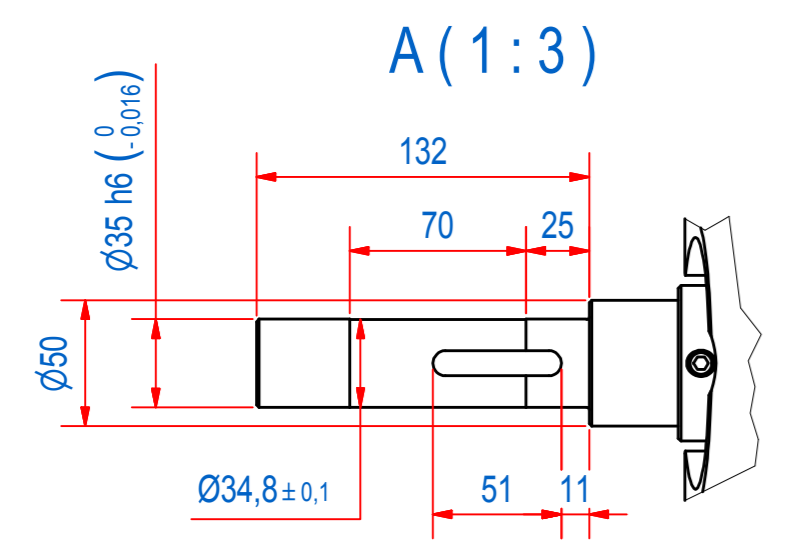
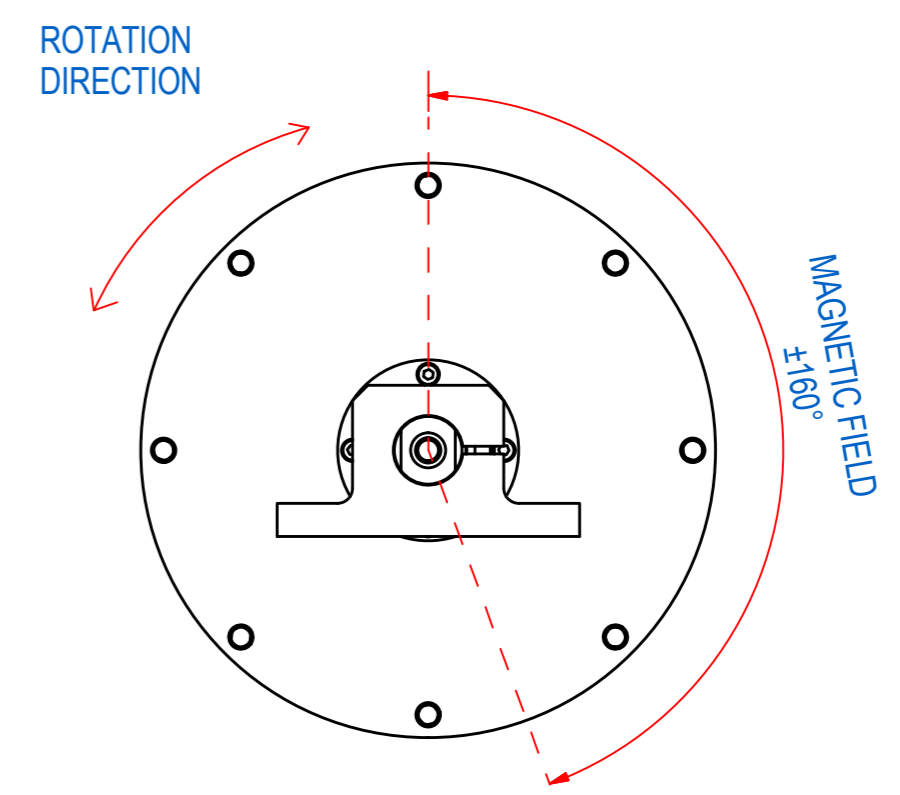
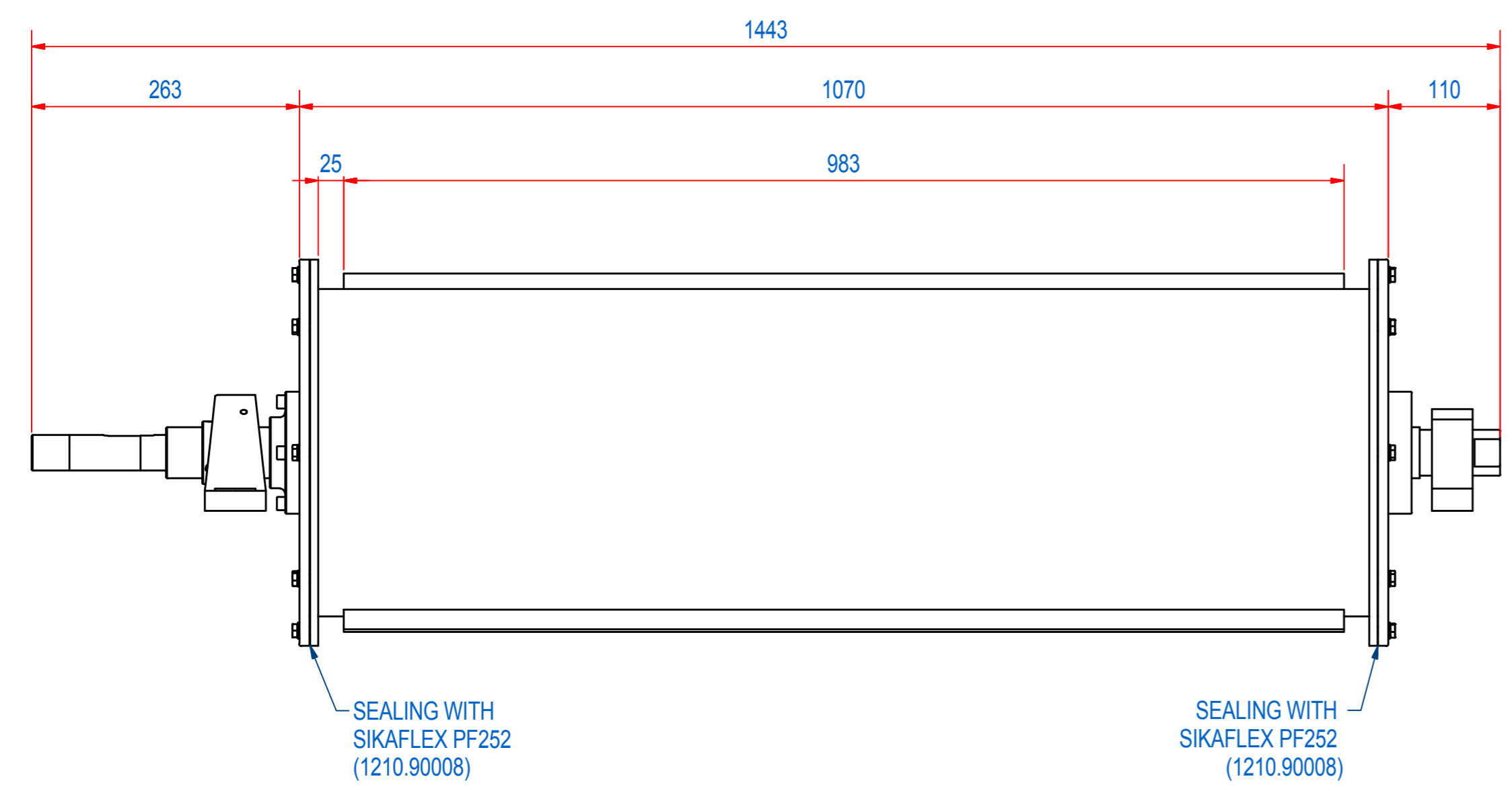
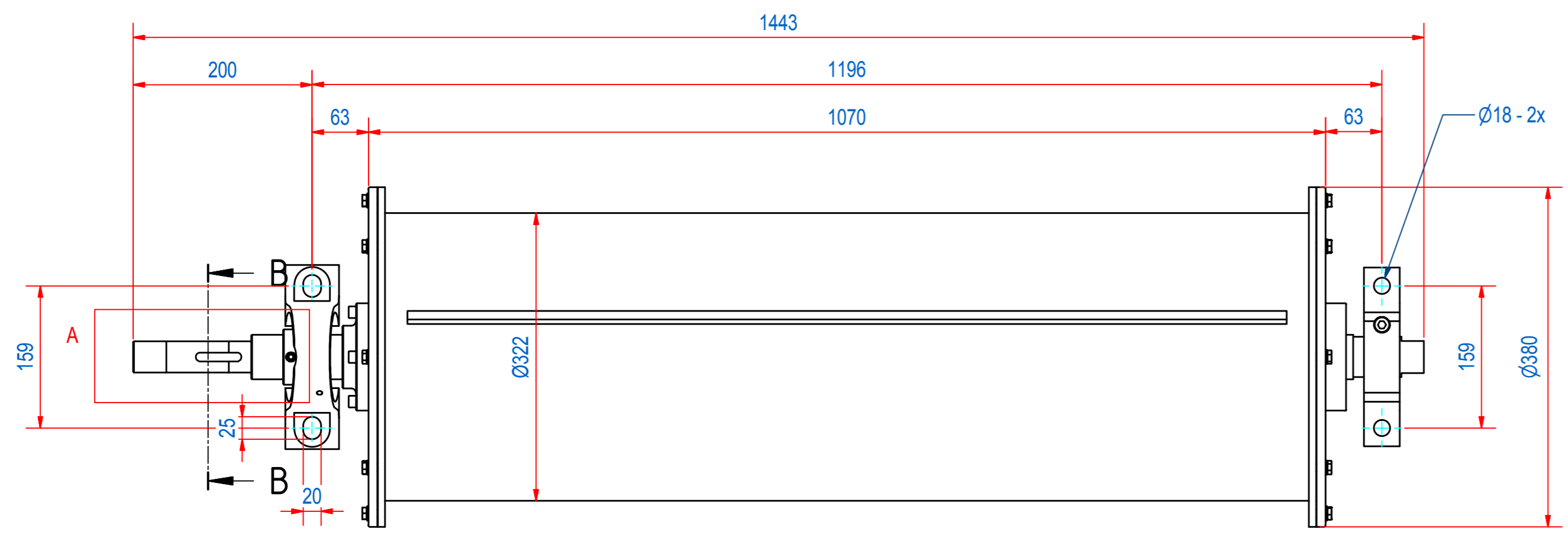


3	DOC.NR.	REV	DATE	BY	2	DESCRIPTION
E0061170	-	30-9-2016	DD			ORIGINAL DRAWING



4	1	E0061072	DR-00 FLANGE WITH AXLE ASSY	
3	1	E0060297	SHELL WITH CLEATS RECD 10	
2	1	E0025980	DR-10-F DRUM ASSY	
1	1	E0017824	DR-10 AXLE ST	
ITEM	QTY	PART NUMBER	DESCRIPTION	Dimensions
RAW MAT.	1			Length (mm) Width (mm)
Quantity		Material Number	Material Description	
Sheet: A2		Extra info:		General tolerance: ISO 2768 - mK
Drawn: DD		Weight (kg): 141,8		Drawn according: ISO268; ISO1101; ISO2553
Date: 29-9-2016		Goudsmit MAGNETIC SYSTEMS		Status: Released
Spare part: False		© All rights reserved. Reproduction is not permitted without written permission of GOUDSMIT Magnetic Systems BV		Customer reference number:
Quick search: RMD-10		Description: RMD-10-32-RS-F-OR-30S2		Document number: E0061170 Doc.Rev: -
				Part number: E0061164 Rev: -