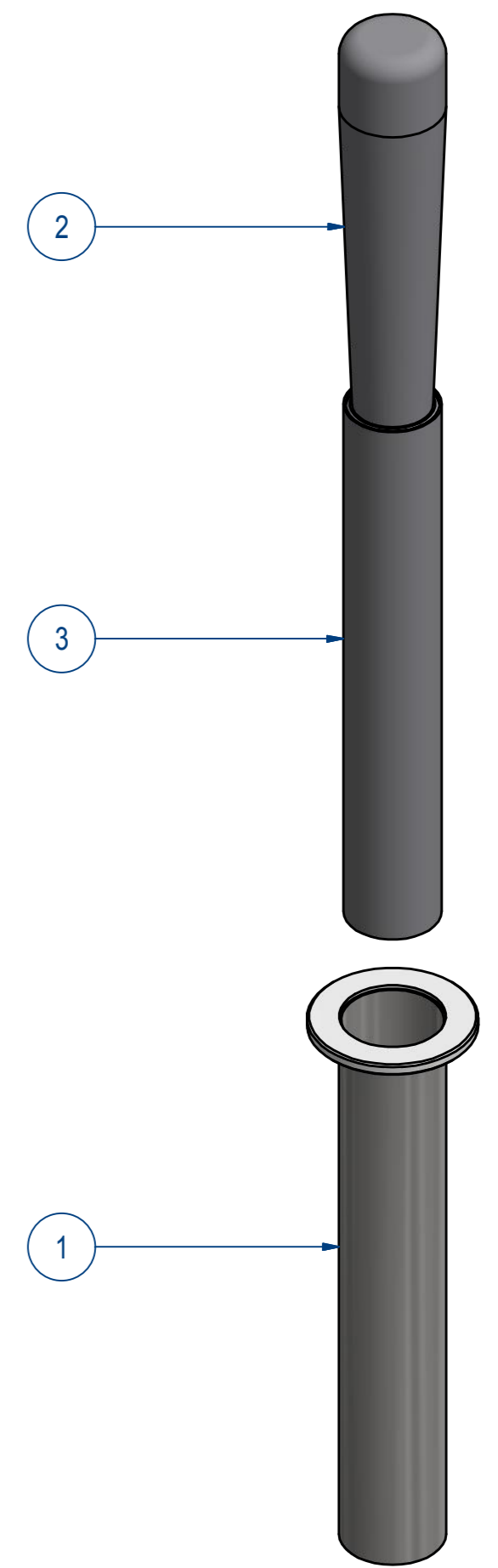
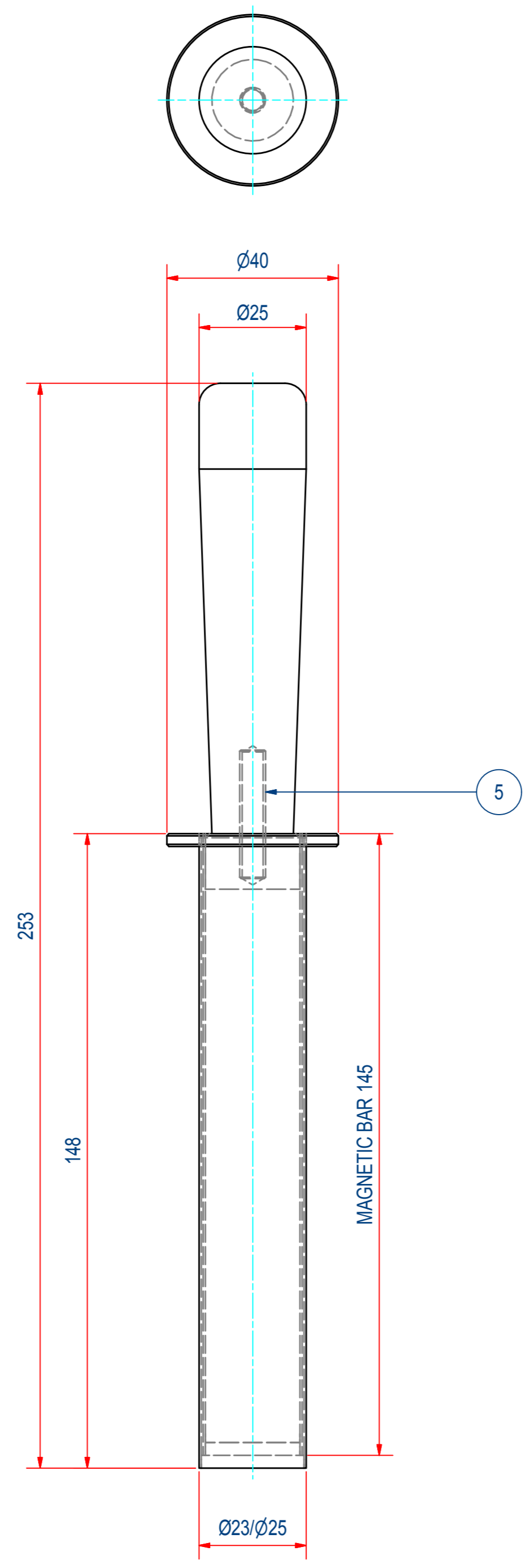


REV	DATE	BY	DESCRIPTION
-	19-9-2013	CR	NEW REVISION VAULT, NOTHING CHANGED, OLD REV WAS C
A	19-9-2013	CR	ITEM 2 CHANGED: M15637 WAS 1005.10001



ITEM	QTY	PART NUMBER	DESCRIPTION	Dimensions
5	1	E0003844	THREADED ROD M6x1 - AISI 316 - L30	M6-30
4	1	1216.00102	SUITCASE + INTERIOR SPI JUMP	
3	1	SBAQA100010-145	BAR-ES-23-145-25-1M6-NW-B	
2	1	M15637	GRIP D25 L105 AISI316L	
1	1	M24630	EXTRACTOR TUBE L=148	

RAW MAT.	1				
QTY		MAT. NUMBER	MAT. DESCRIPTION	LENGTH (mm)	WIDTH (mm)
Sheet: A2		Extra info:		General tolerance: ISO 2768 - mK	
Drawn: CR	Weight (kg): 0,9			Drawn according: ISO268; ISO1101; ISO2553	
Date: 19-9-2013			Status: Standard		
Spare part: False			Customer reference number:		
Quick search: SXNB0148	 <small>© All rights reserved. Reproduction is not permitted without written permission of GOUDSMIT Magnetic Systems BV</small>		File number: SESX015048	Rev: A	
Description: BAR+EXTR+SUITCASE NdFeB ES			Part number: SESX015048	Rev: A	