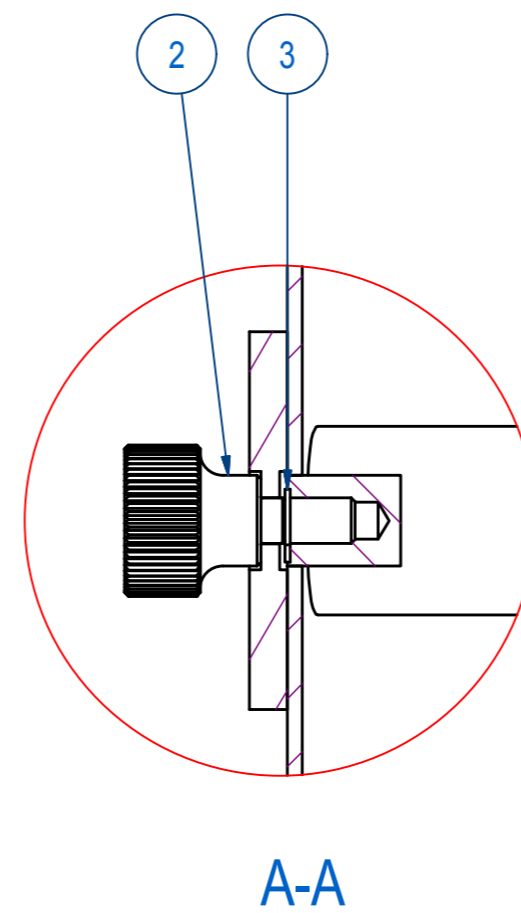
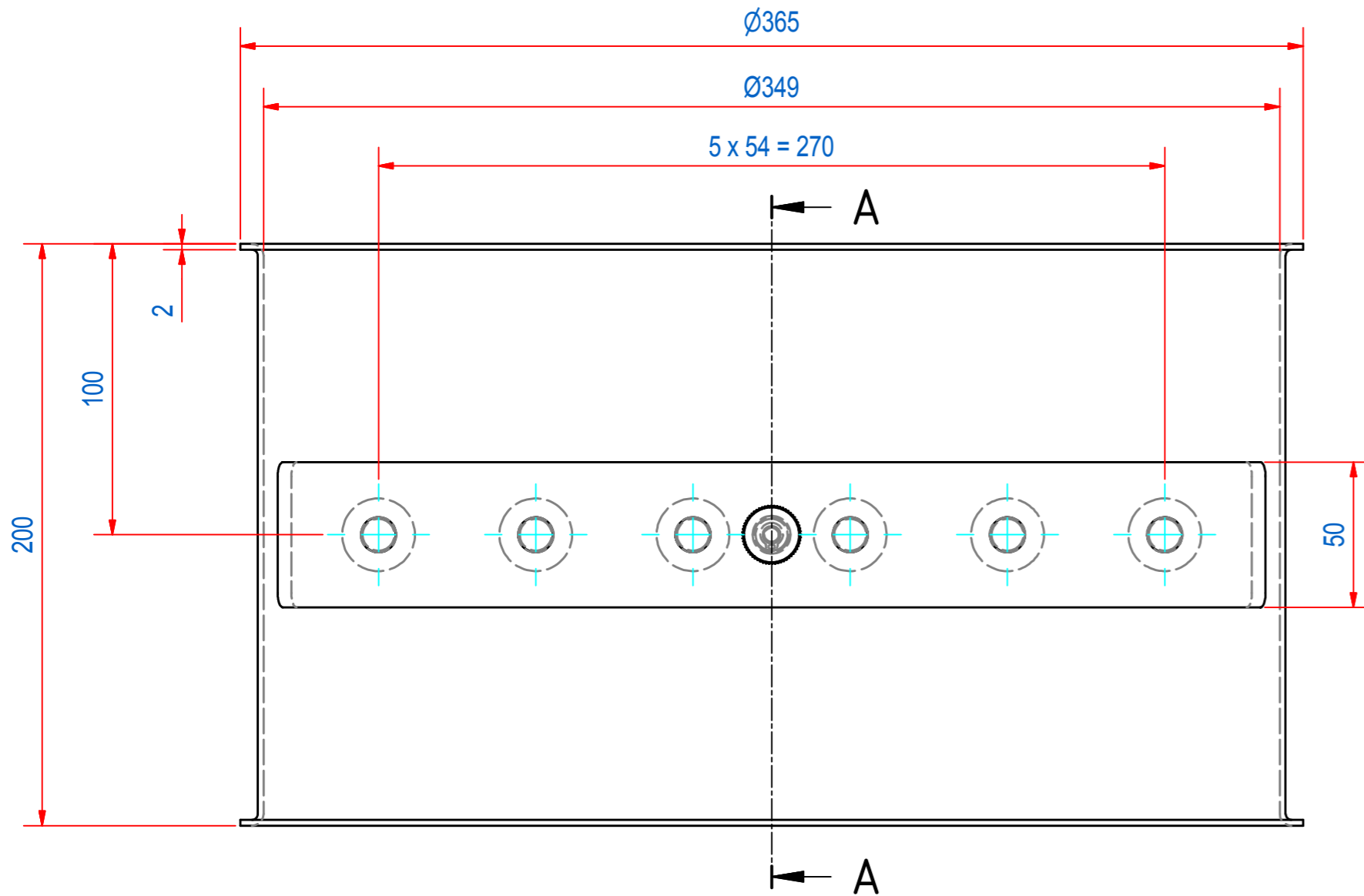
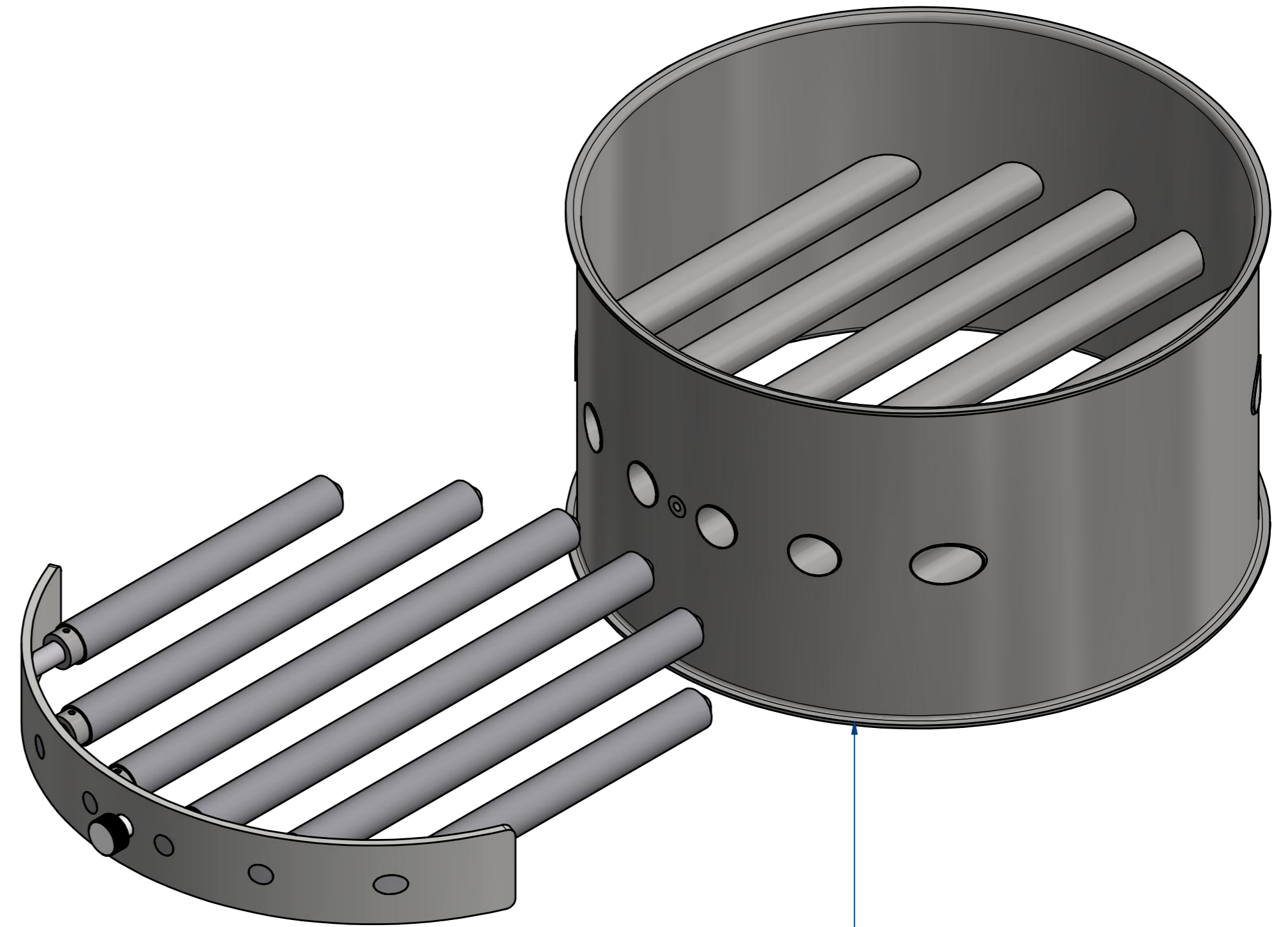
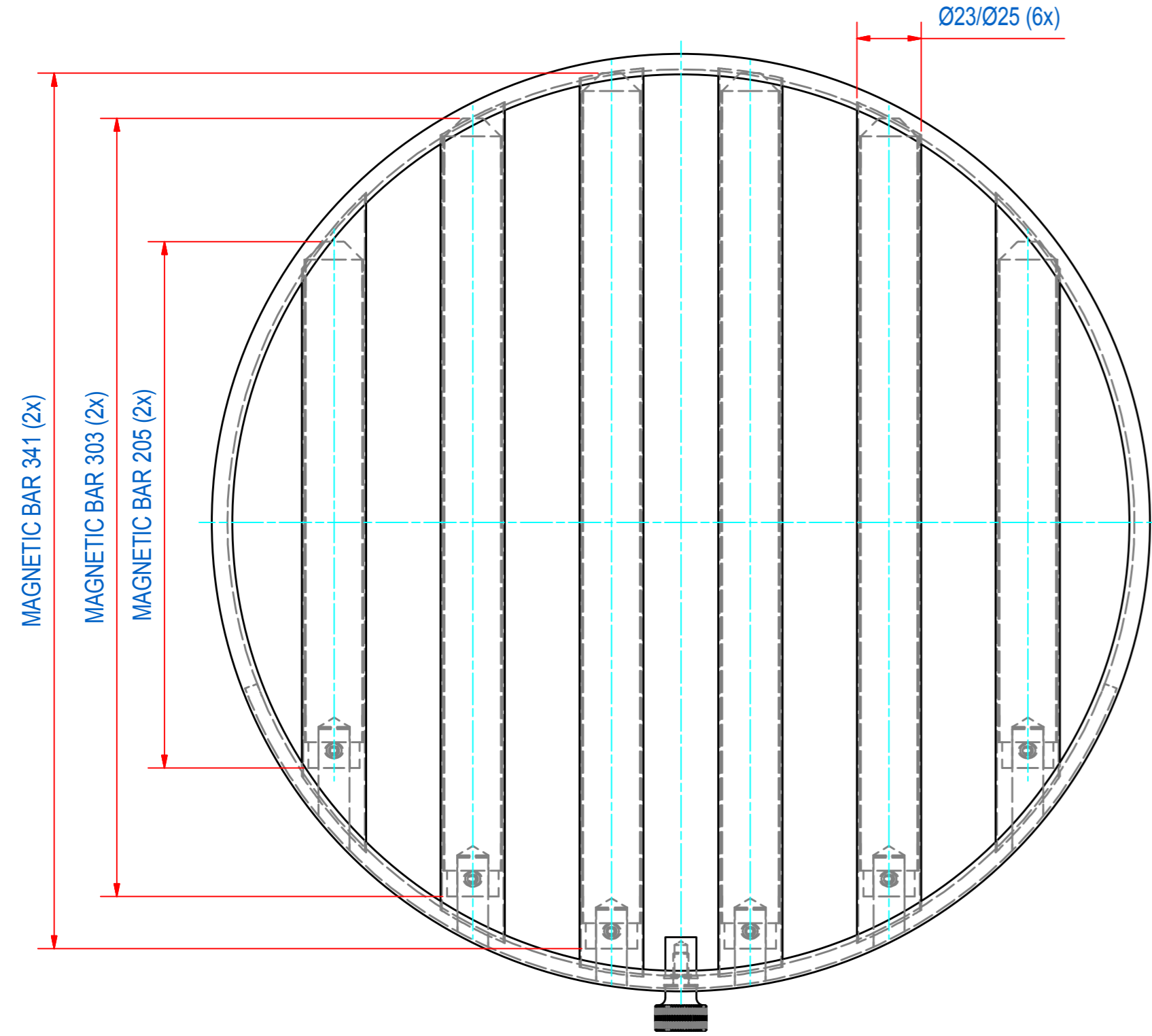


REV	DATE	BY	DESCRIPTION
-	9-9-2014	CR	NEW REVISION VAULT, NOTHING CHANGED, OLD REV WAS B
A	21-4-2015	CR	KNOB ADDED FOR SECURING FRONT PLATE ON GRID, SUPPORT PLATES (IN ITEM 1) DELETED



ITEM	QTY	PART NUMBER	DESCRIPTION	Dimensions
3	1	70.4200006	CIRCLIPS, EXT 6x0,7 - A2	6x0,7
2	1	E0028964	KNOB M6 316L KNURLED	
1	1	A250558	GRID ASSY D350x200 NdFeB P25	

RAW MAT.	QTY	MAT. NUMBER	MAT. DESCRIPTION	LENGTH (mm)	WIDTH (mm)
	1				

Sheet: A2	Extra info:	General tolerance: ISO 2768 - mK
Drawn: CR	Weight (kg): 9,6	Drawn according: ISO268; ISO1101; ISO2553
Date: 5-6-2012		Status: Standard
Spare part: False		Customer reference number:
Quick search: MRNB0350	© All rights reserved. Reproduction is not permitted without written permission of GOUDSMIT Magnetic Systems BV	File number: E0081406
Description: SMR-N-D350x200-06E-S4-S		Part number: SEMR035078