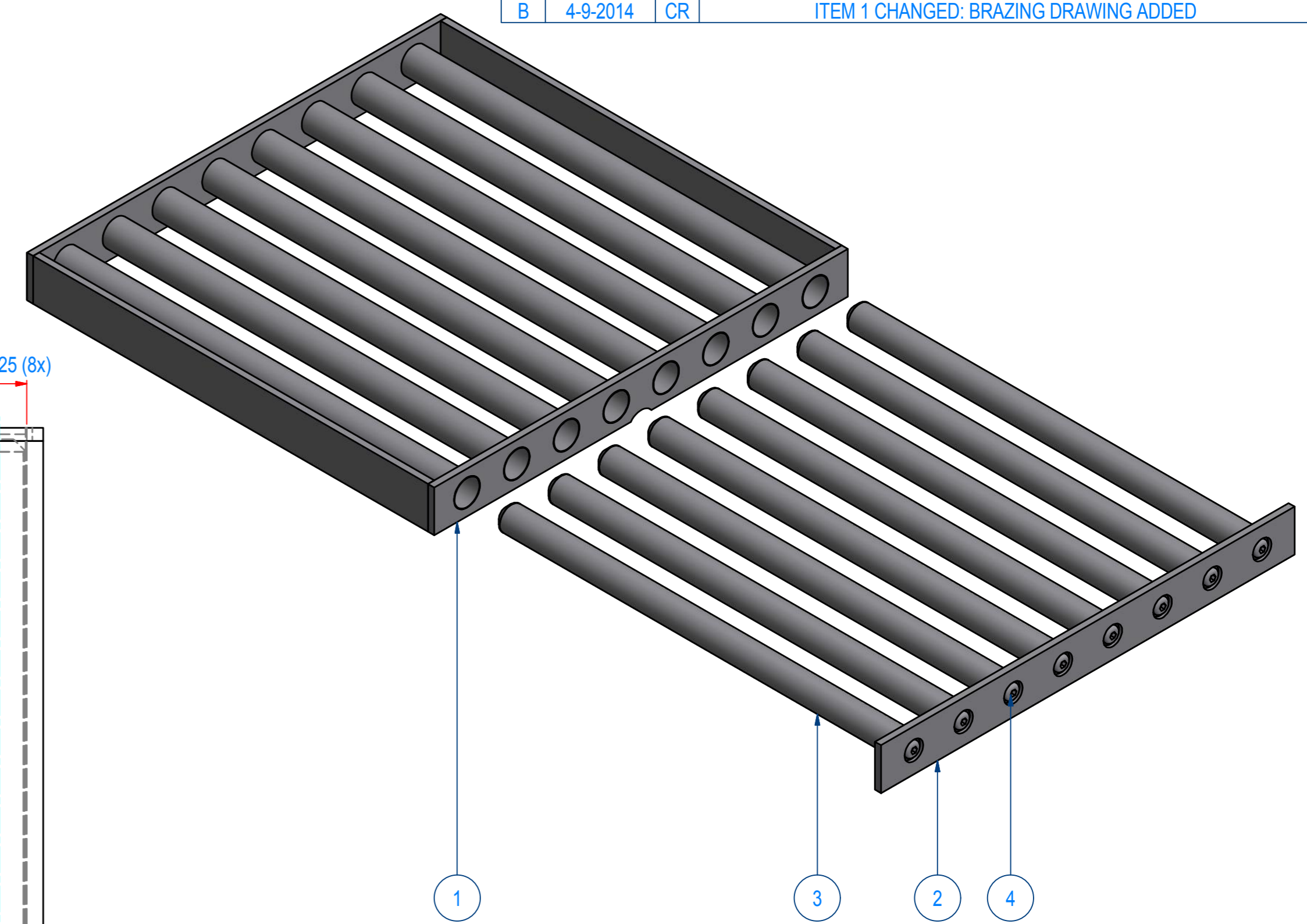
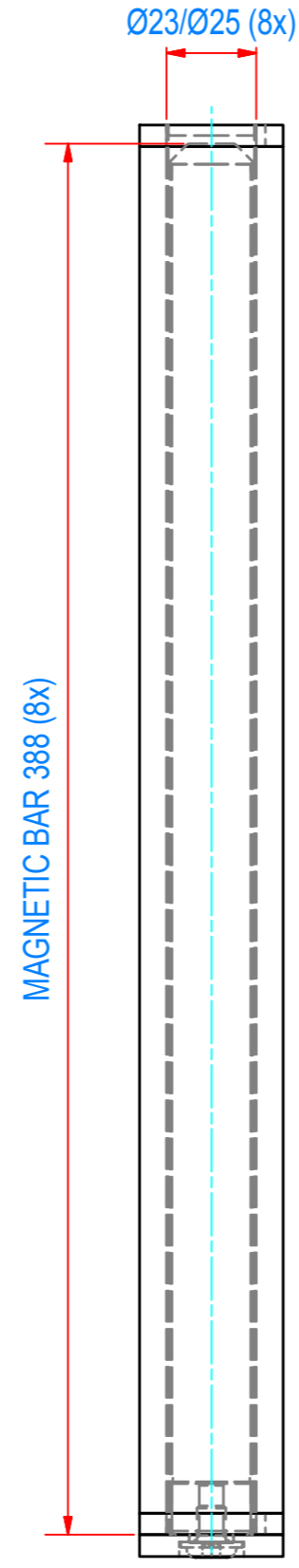
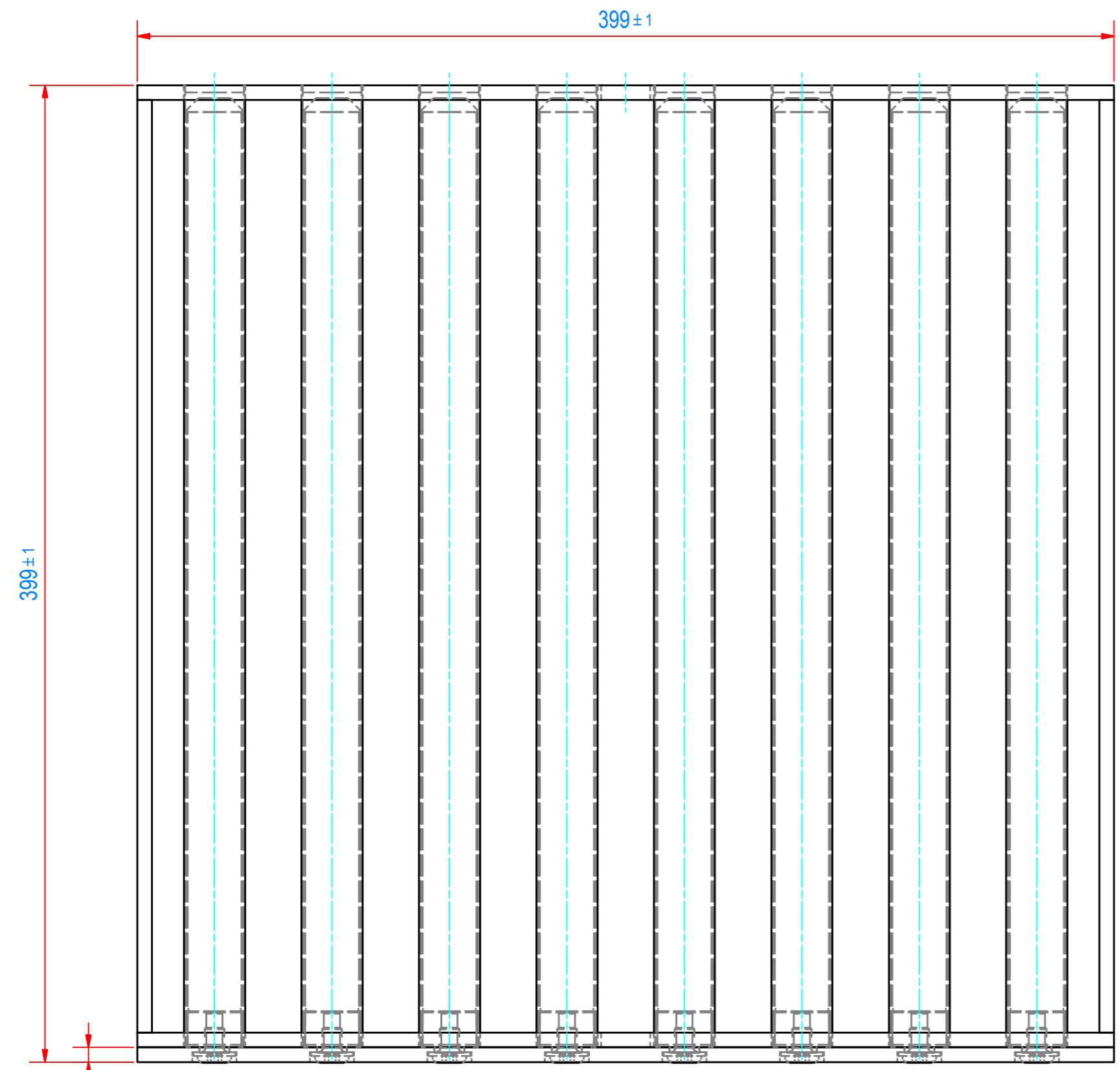


REV	DATE	BY	DESCRIPTION
-	14-3-2013	FS	NEW VAULT, NOTHING CHANGED, IS EQUAL TO OLD REVISION D
A	2-4-2013	CR	NOTHING CHANGED
B	4-9-2014	CR	ITEM 1 CHANGED: BRAZING DRAWING ADDED



ITEM	QTY	PART NUMBER	DESCRIPTION	Dimensions
4	8	54.9208010	SCR HEX S HC FL M08x10 AISI304	
3	8	SBAMB100030-388	BAR-N-23-388-25-CM8-NW-B	
2	1	S240059	FRONT MAGNET STRIP 40x6 L399	
1	1	E0020982	EXTRACTOR #399x40 8B BRAZE	

RAW MAT.	QTY	MAT. NUMBER	MAT. DESCRIPTION	LENGTH (mm)	WIDTH (mm)
	1				

Sheet: A2	Extra info:	General tolerance: ISO 2768- mK
Drawn: FS	Weight (kg): 14,1	Drawn according: ISO268; ISO1101; ISO2553
Date: 14-3-2013		Status: Standard
Spare part: False		Customer reference number:
Quick search: MRNB4040	© All rights reserved. Reproduction is not permitted without written permission of GOUDSMIT Magnetic Systems BV	File number: SEMR404038
Description: SMR-N-0400x400x40-08E-S6-S		Part number: SEMR404038