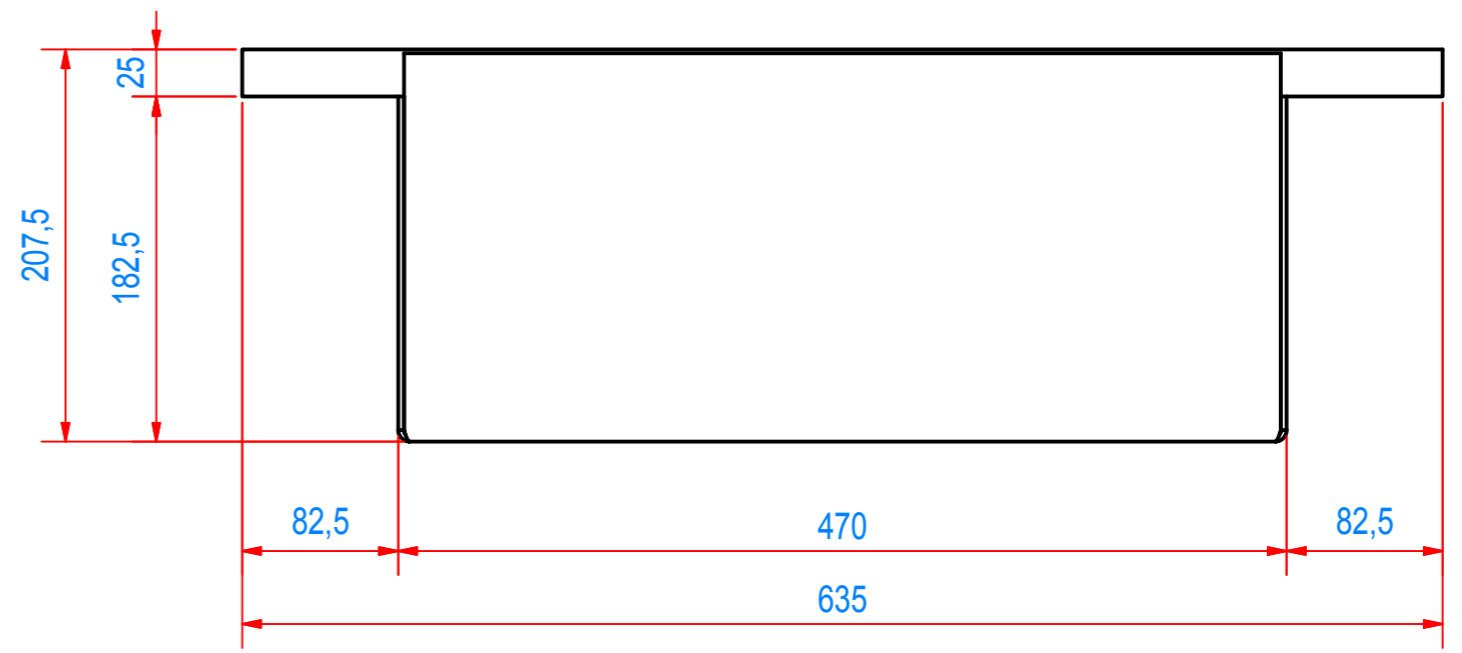
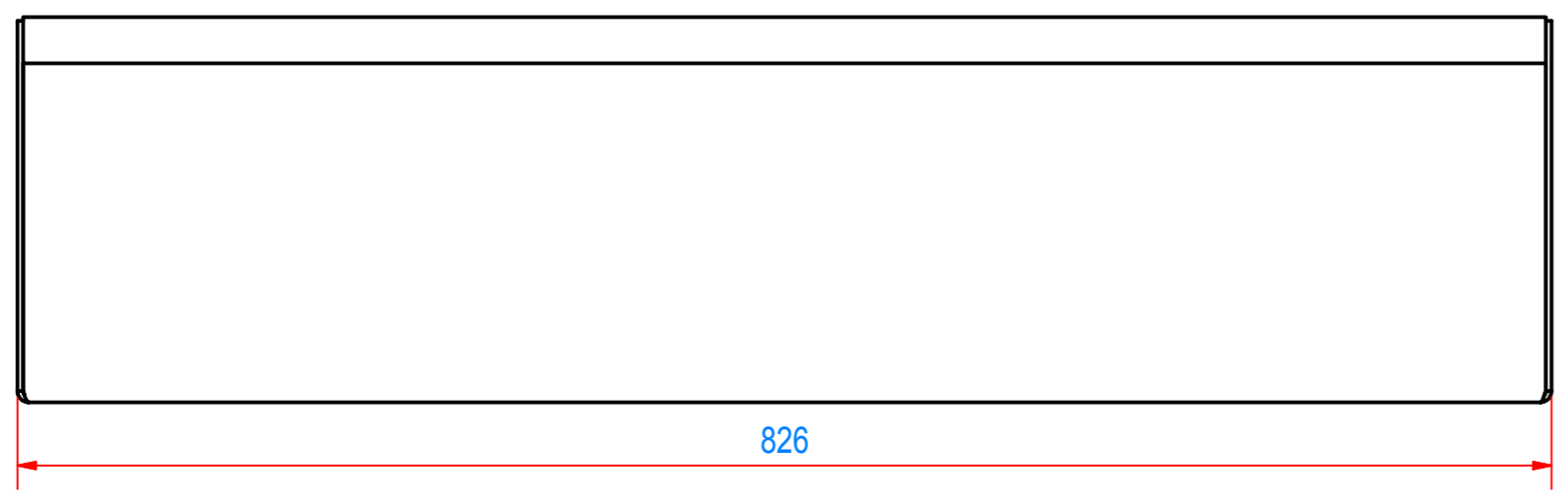
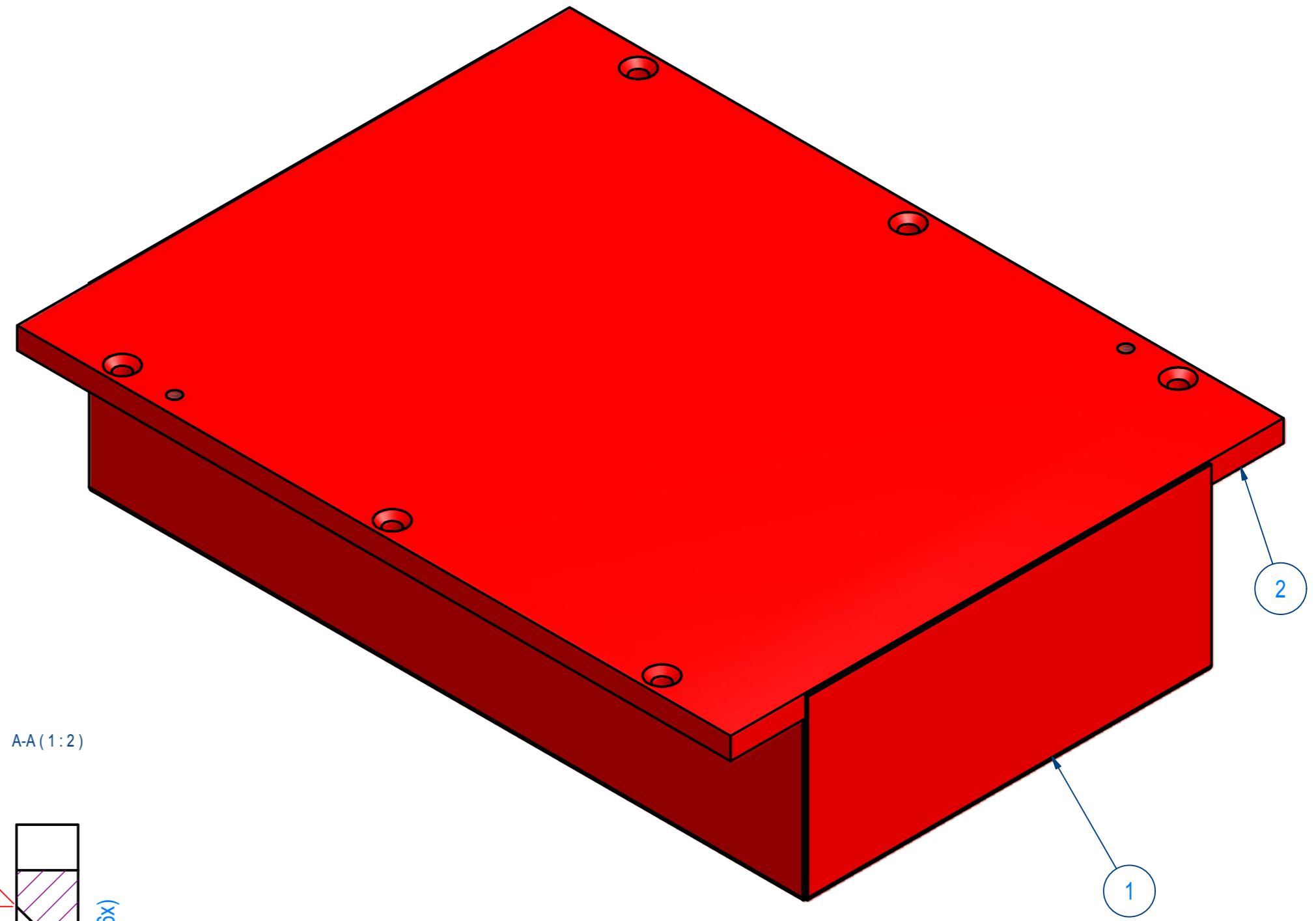
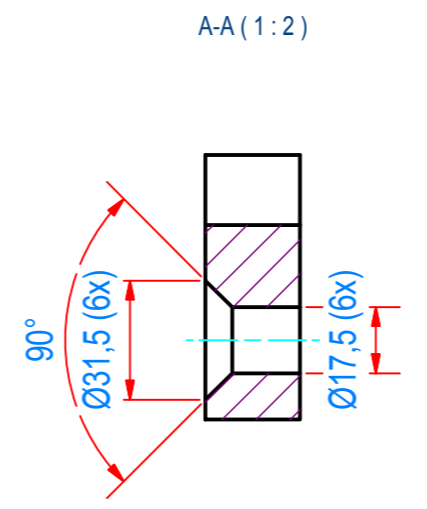
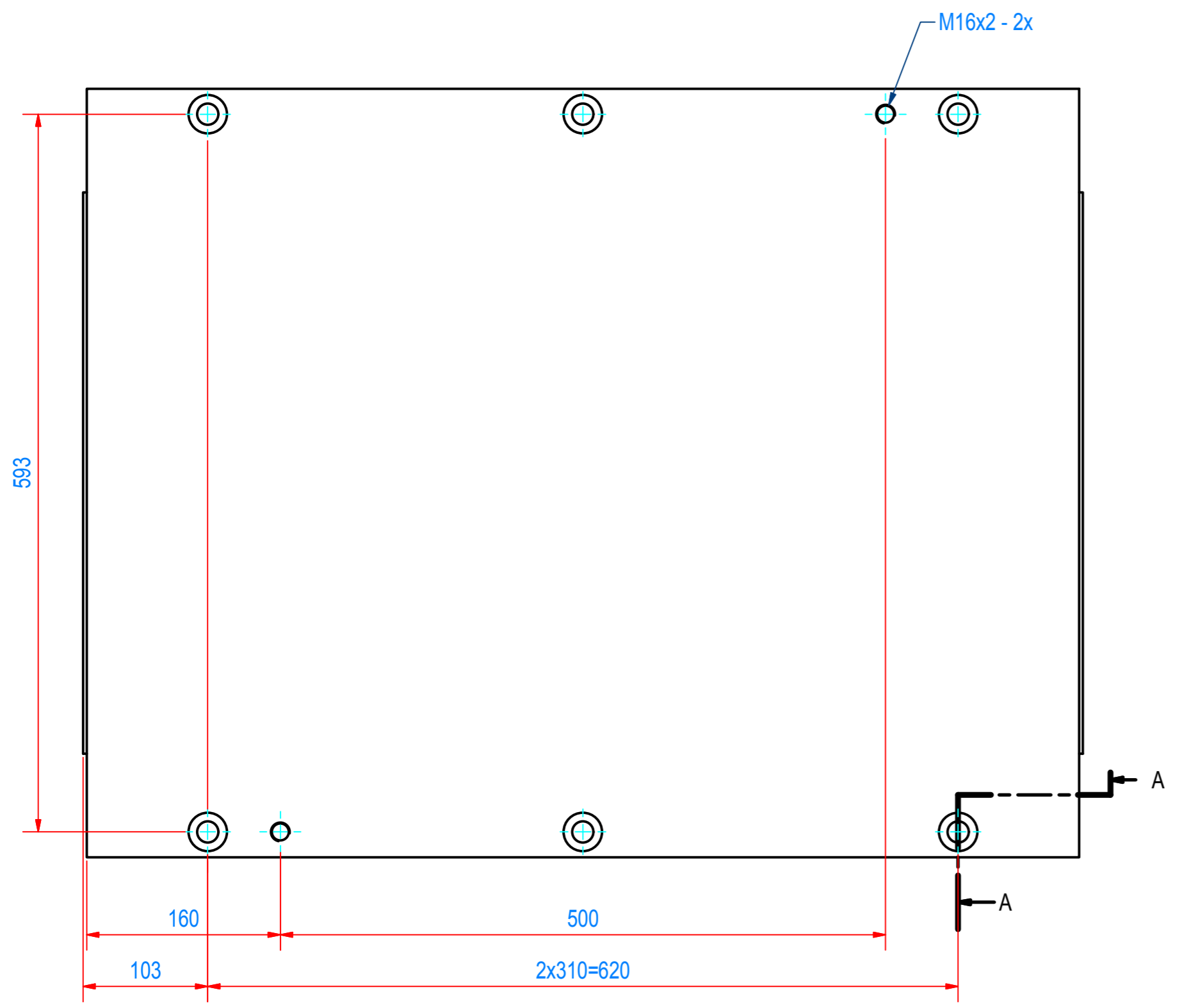


REV	DATE	BY	DESCRIPTION
A	09-09-2009	EK	REFERENCE DRAWING SVMF060800
B	31-03-2010	EK	WIDTH BASE PLATE CHANGED FROM 700 TO 635MM



Item	Quant	Ref. Nr.	Description	Dimensions
2	1	A200058	MAGNET SCHEME RBPFO20800	
1	1	S200058	HOUSING RBPFO20800	

Scale: 1:4	Sheet: A2	Order: x	Qty: x
Drawn: ek	Date: 15-08-2008	Unit: st	Length: 0,826 m
Group: XRBP	Customer nr:	Height: 0,208 m	Width: 0,7 m
Title: PLATE MAGN FXD 470x207 L=826		Mass: N/A	Artnr: RBPFO20800

**GOUDSMIT**  
 www.goudsmit-magnetics.nl  
 © All rights reserved. Reproduction is not permitted without written permission of GOUDSMIT MAGNETIC SYSTEMS BV.  
 General Tolerance: ISO2768-cl  
 Drawn Acc.: ISO268 ISO1101 ISO2553

Printed by EK on 14-01-2010 13:34