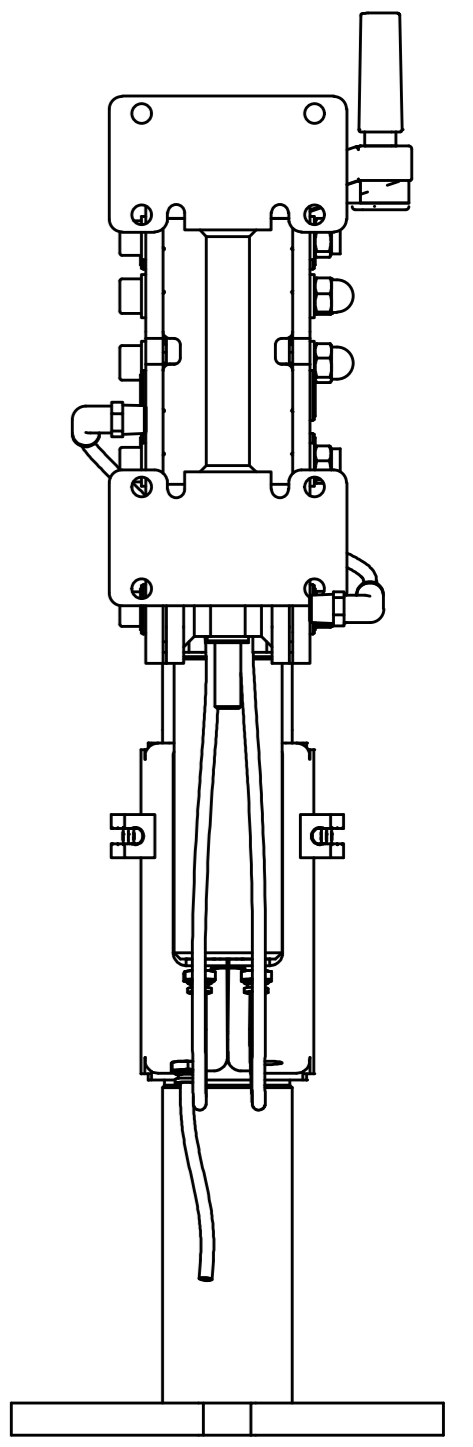
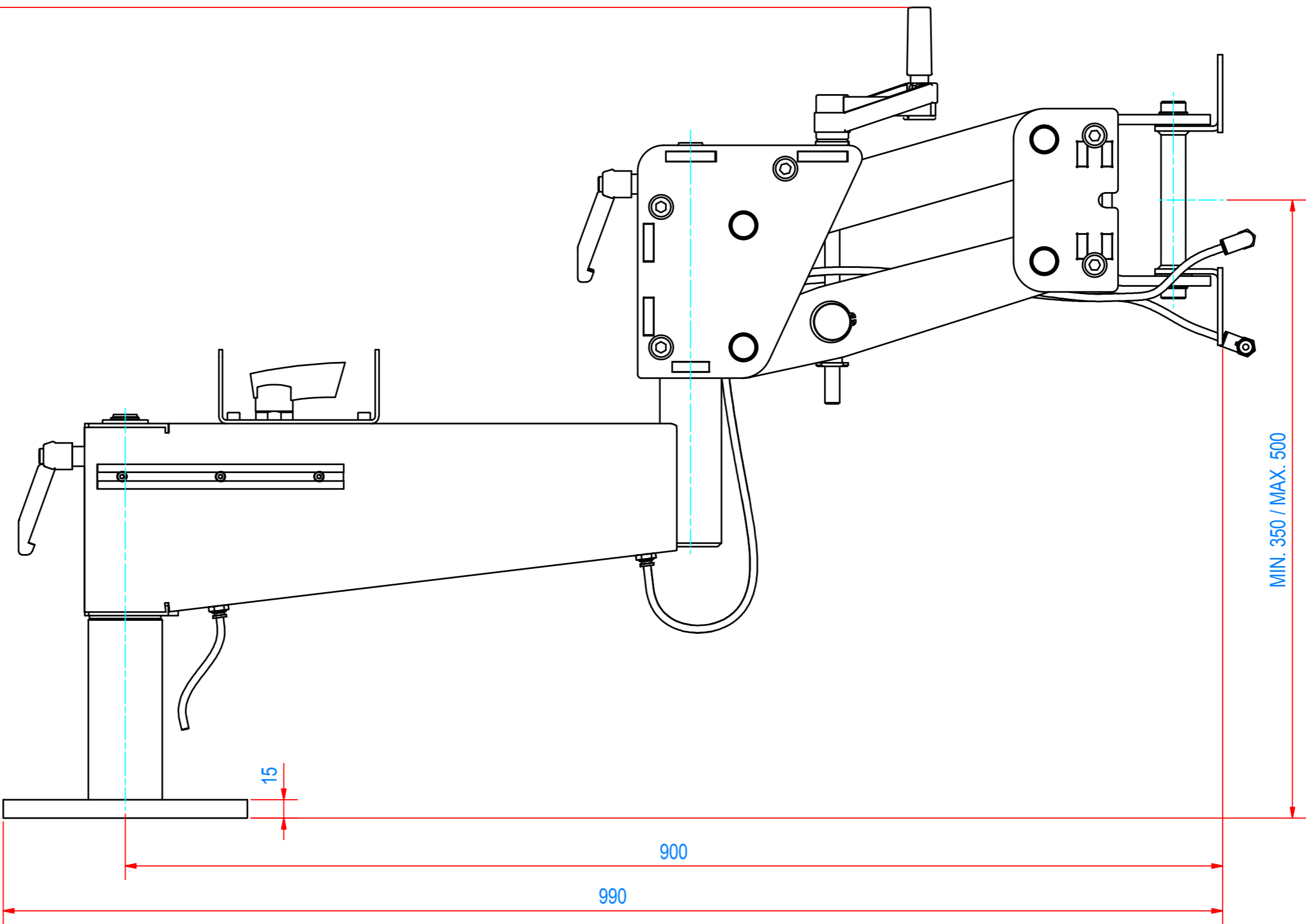
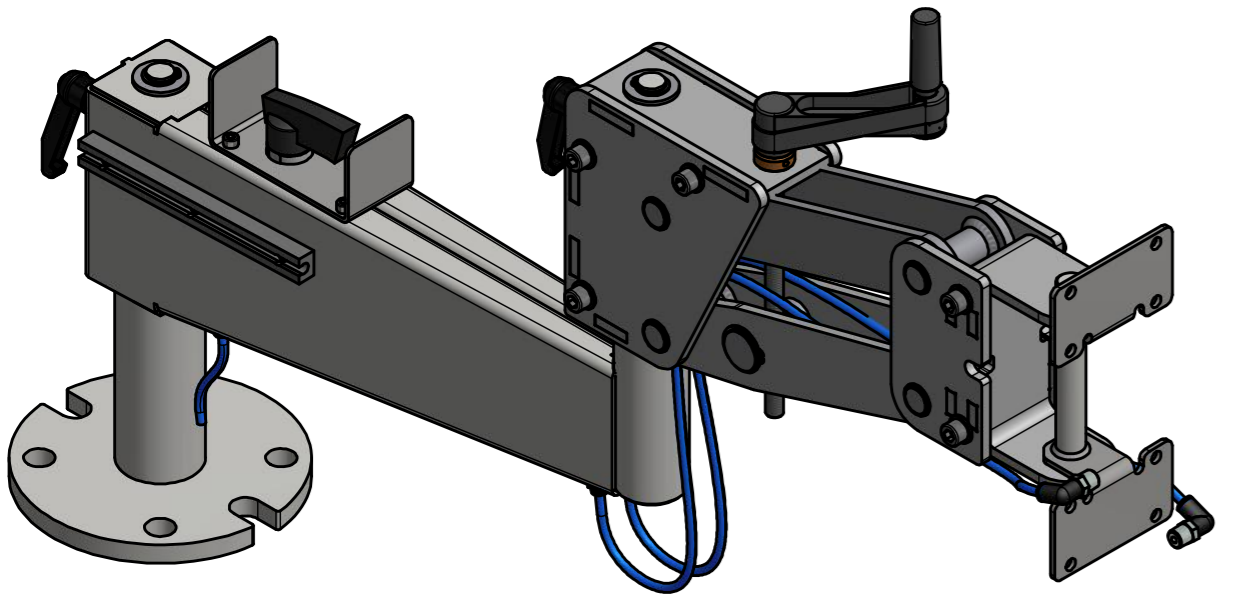
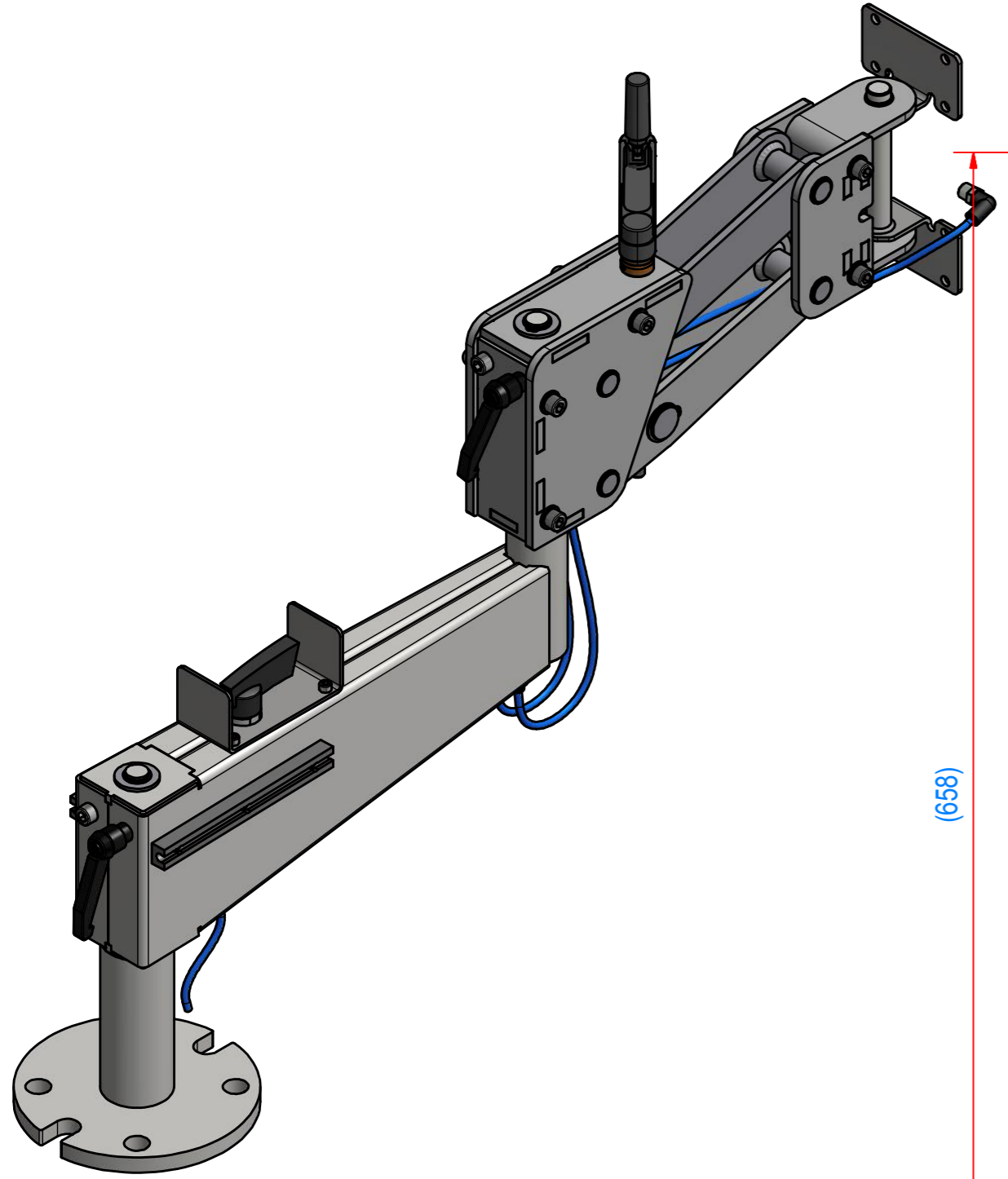
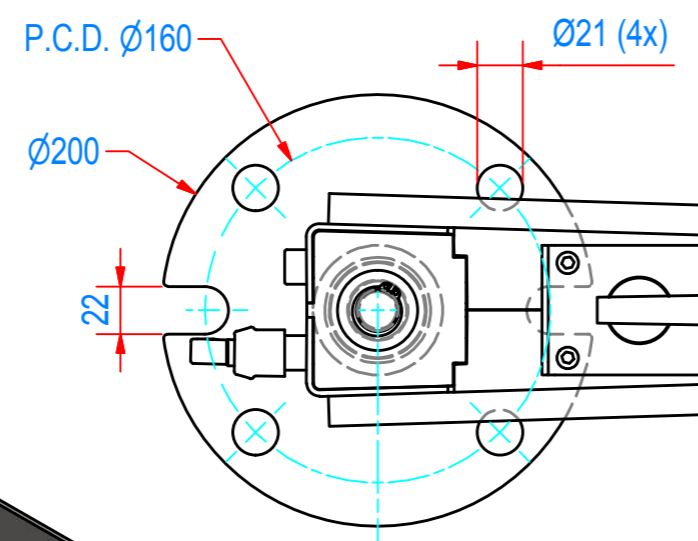


REV	DATE	BY	DESCRIPTION
-	18-6-2014	BS	NEW VAULT, NOTHING CHANGED, IS EQUAL TO OLD REVISION A



ITEM	QTY	PART NUMBER	DESCRIPTION	Dimensions	
1	1	A240023	ARM SHEET SEPARATOR		
RAW MAT.	1			LENGTH (mm)	WIDTH (mm)
Sheet: A2		Extra info:		General tolerance: ISO 2768 - mK	
Drawn: fs		Weight (kg): 33,1		Drawn according: ISO268; ISO1101; ISO2553	
Date: 15-9-2008		Goudsmit MAGNETIC SYSTEMS		Status: Standard	
Spare part: False		© All rights reserved. Reproduction is not permitted without written permission of GOUDSMIT Magnetic Systems BV		Customer reference number:	
Quick search: TPSP MODUL		ARM SHEET SEPARATOR		Document number: TUSM000016	
Description:		ARM SHEET SEPARATOR		Part number: TUSM000016	
				Doc.Rev: -	
				Rev: -	