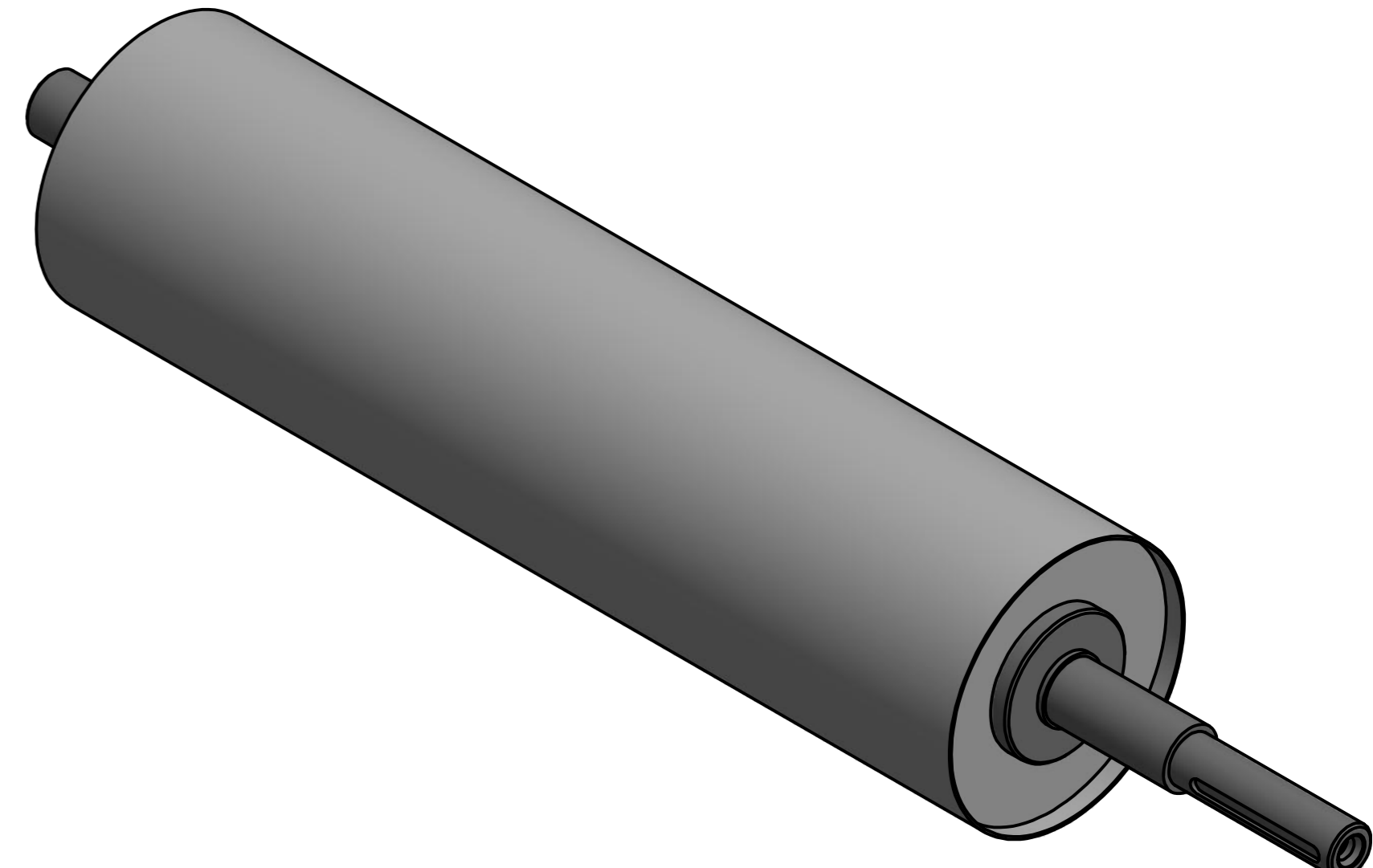
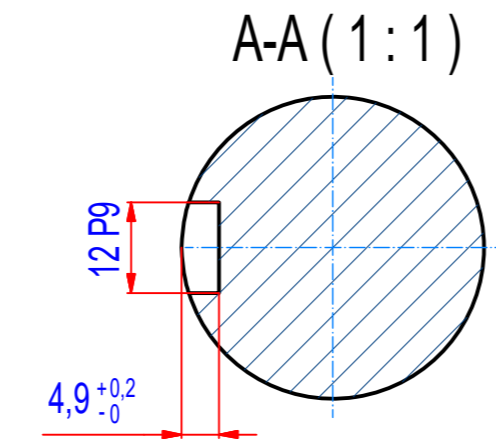
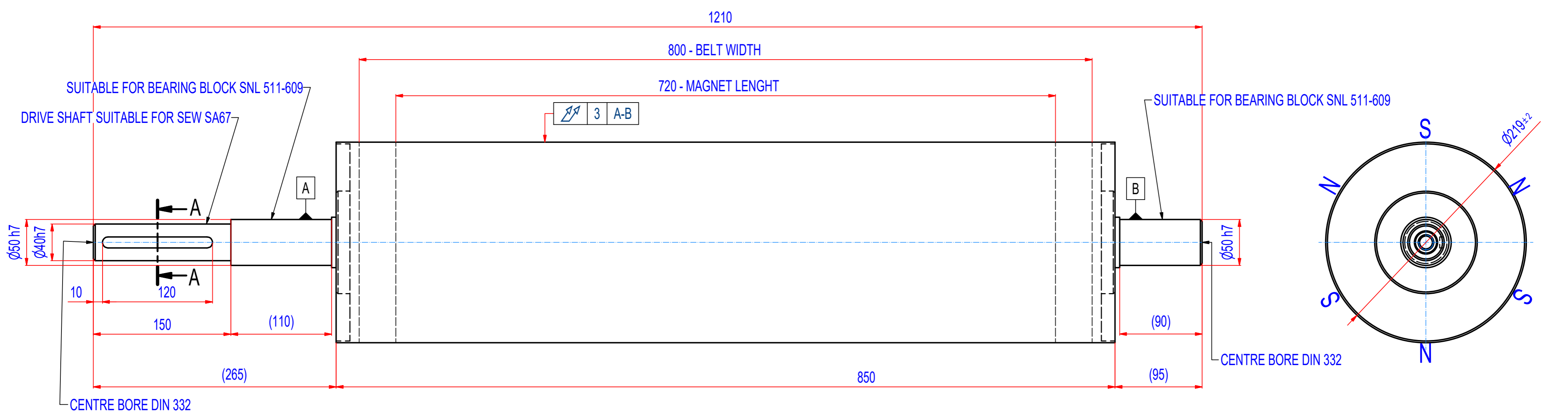


REV	DATE	BY	DESCRIPTION
A	13.2.2013	JDL	ORIGINAL DRAWING
B	09.11.2016	PH	NEW STANDARD LENGHT (850mm)



SPECIFICATIONS

- SUITABLE FOR BELT WIDTH:** 800 mm
- MAGNET TYPE:** Ferrite
- NUMBER OF POLES:** 6
- SURFACE MAG. INTENSITY:** 1800 Gauss
- SHAFT TYPE:** REMOVABLE, EQUIPPED WITH CLAMP BUSHINGS
- OVERALL WEIGHT:** 141 kg
- CROWNING:** NO
- RUBBER LAYER:** NO

IF NOT SPECIFIED ON DRAWING, LINEAR DIMENSION TOLERANCES PER ISO 2768-1 CLASS C, GEOMETRICAL TOLERANCES PER ISO 2768-1 CLASS L

Sheet: A2	Extra info:	General tolerance: ISO 2768 - cL
Drawn: PH	Weight (kg): 141	Drawn according: ISO268; ISO1101; ISO2553
Date: 25.02.2019		Status:
Predecessor:		Customer reference number:
Quick search: XRHR D219	<p>© All rights reserved. Reproduction is not permitted without written permission of GOUDSMIT Magnetic Systems BV</p>	Product key: RHP-F219A06-080-RSD-BA
Description: Magnetic headroller, Ferrite, D219 -W850		Part number: RHAF22080000