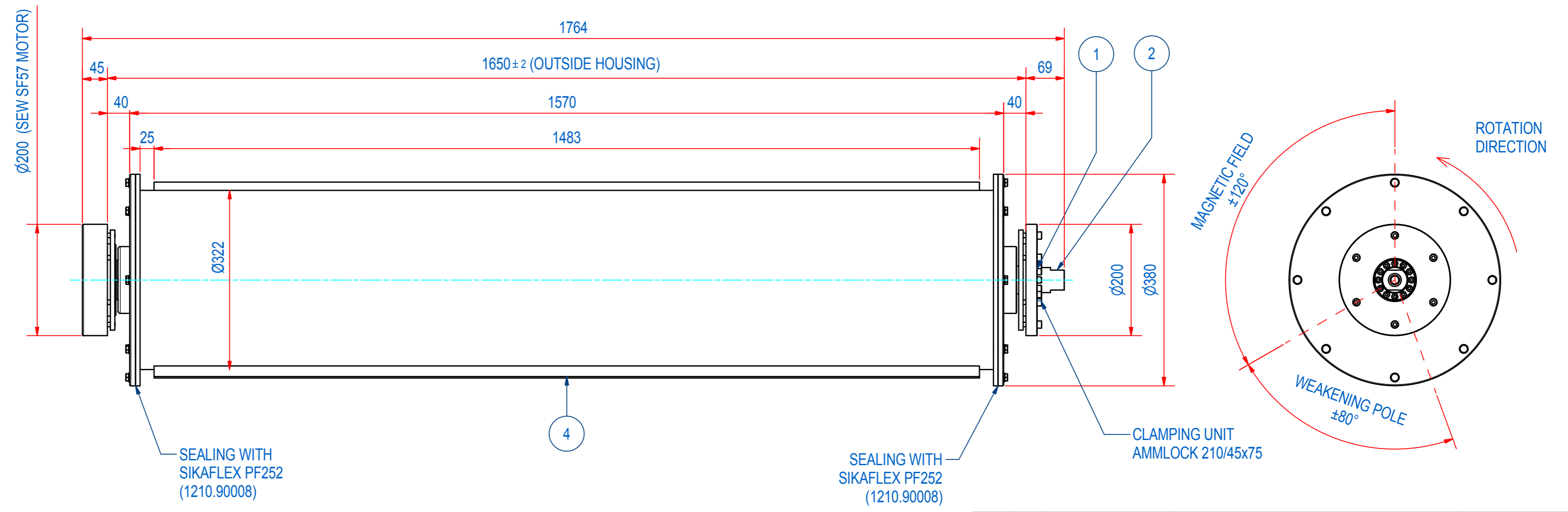
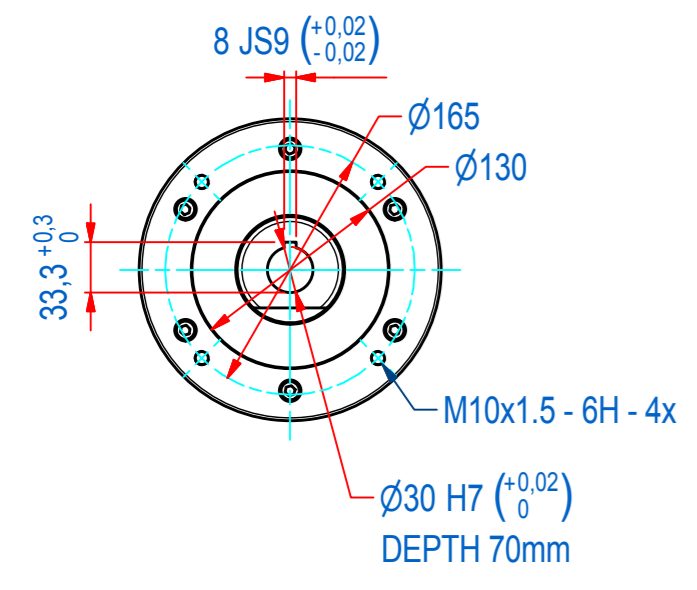
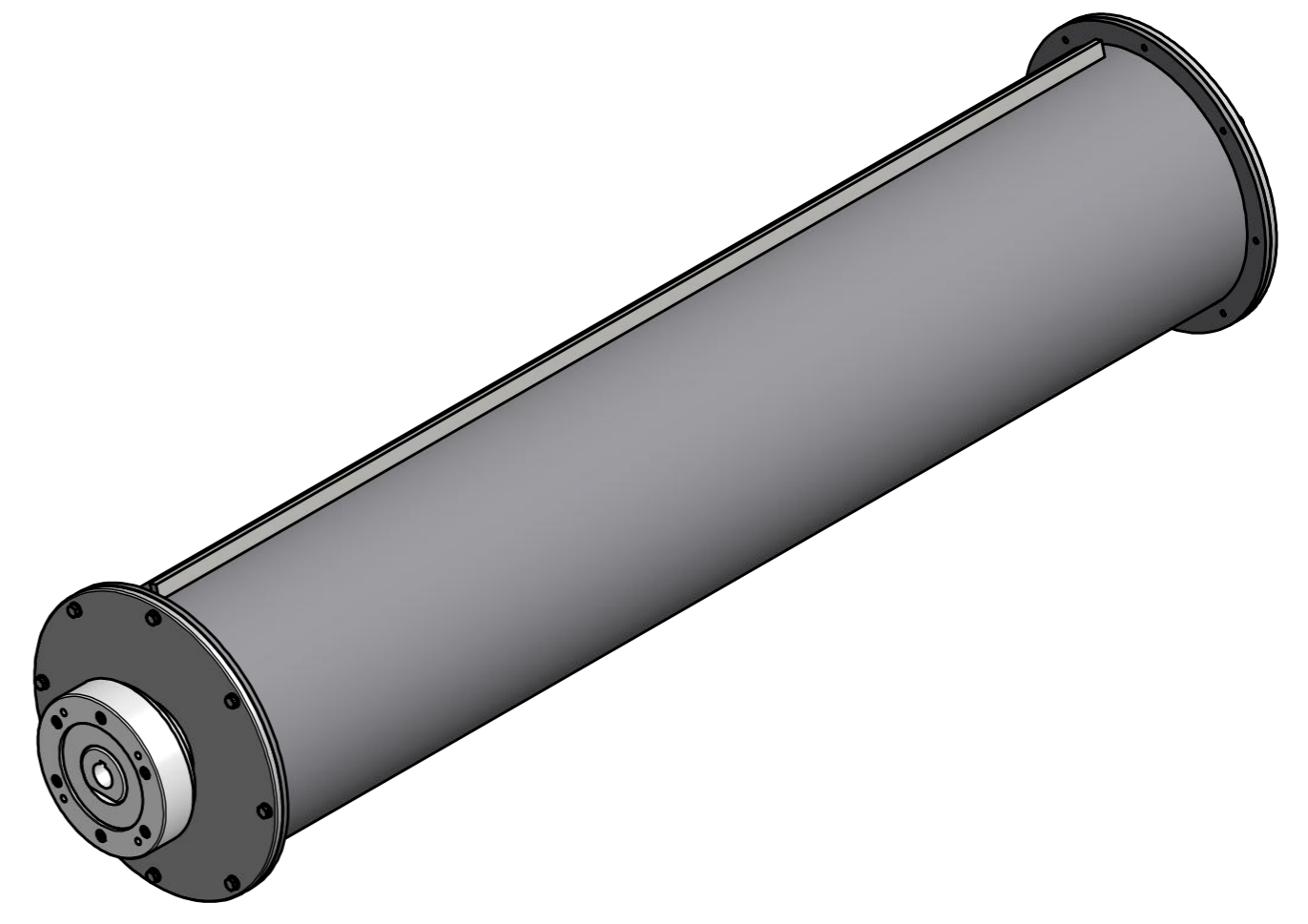
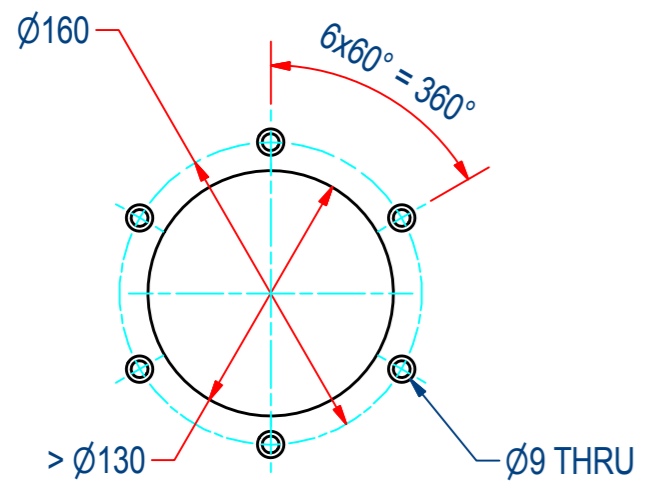


REV	DATE	BY	DESCRIPTION
-	9-12-2014	TD	Reference drawing = E0025951
A	15-2-2016	GS	SHELL E0049003 WAS E0019843
B	19-10-2016	DD	DIMENSIONS ADDED, TEXT ADDED, PRODUCT KEY CHANGED

HOLE PATTERN FOR HOUSING



ITEM	QTY	PART NUMBER	DESCRIPTION	Dimensions
4	1	E0049003	SHELL WITH CLEATS RECD 15	
1	1	E0011058	DR-00 FLANGE ASSY ALU	
2	1	E0017827	DR-15 AXLE ST	
3	1	E0019955	DR-15-P MAGNET PACK	

RAW MAT.	QTY	MAT. NUMBER	MAT. DESCRIPTION	LENGTH (mm)	WIDTH (mm)
1	1				

Sheet: A2	Extra info:	General tolerance: ISO 2768 - mK
Drawn: TD	Weight (kg): 408,6	Drawn according: ISO268; ISO1101; ISO2553
Date: 9-12-2014		Status: Released
Spare part: False		Customer reference number:
Quick search: RMD-15	© All rights reserved. Reproduction is not permitted without written permission of GOUDSMIT Magnetic Systems BV	File number: E0025963
Description: RMD-15-32-RN-P-OR-30S2		Part number: E0025962