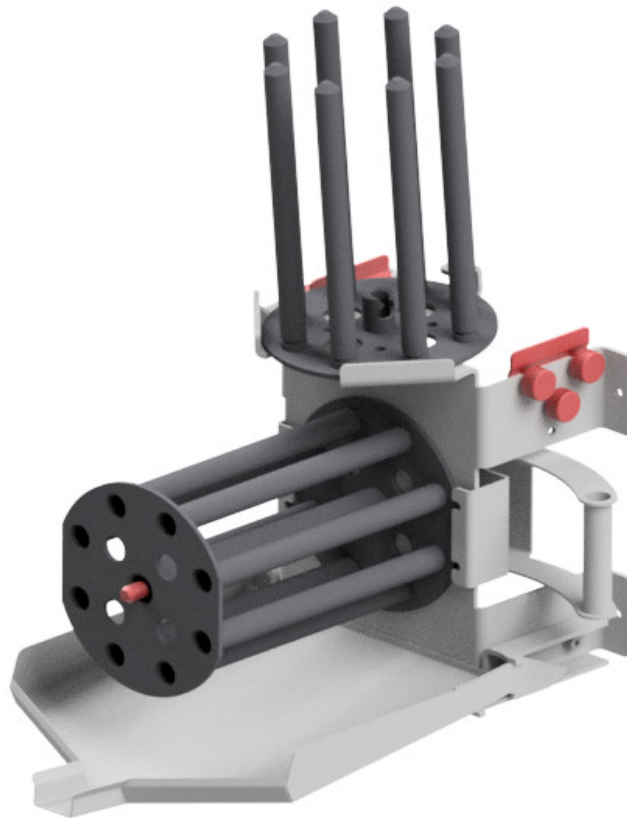


### Instructions



*The descriptions and pictures in this manual, used for explanation, may differ from your execution.*

---

**GOUDSMIT Magnetic Systems B.V.**

P.O. Box 18  
Petunialaan 19  
The Netherlands  
Tel.  
Internet  
E-mail

5580 AA Waalre  
5582 HA Waalre

(+31) (0)40 2213283  
[www.goudsmitmagnets.com](http://www.goudsmitmagnets.com)  
[info@goudsmitmagnets.com](mailto:info@goudsmitmagnets.com)



---

**Safety**



**Dangers of strong magnetic fields**

Ferromagnetic objects will be attracted, if you are closer than 30 cm to the magnet. Any ferromagnetic tools or components may be attracted and damage the device.



**Danger to people fitted with implanted medical devices**

The magnetic field around the devices could interfere with the functioning of active implanted devices. A safety distance of 0,5 meter must be maintained by wearers of those devices.



**Danger to electronic and mechanical devices**

Magnetic information carriers or electronic and mechanical devices, etc, may be destroyed if they enter the magnetic field.



**Warning Pictograms**

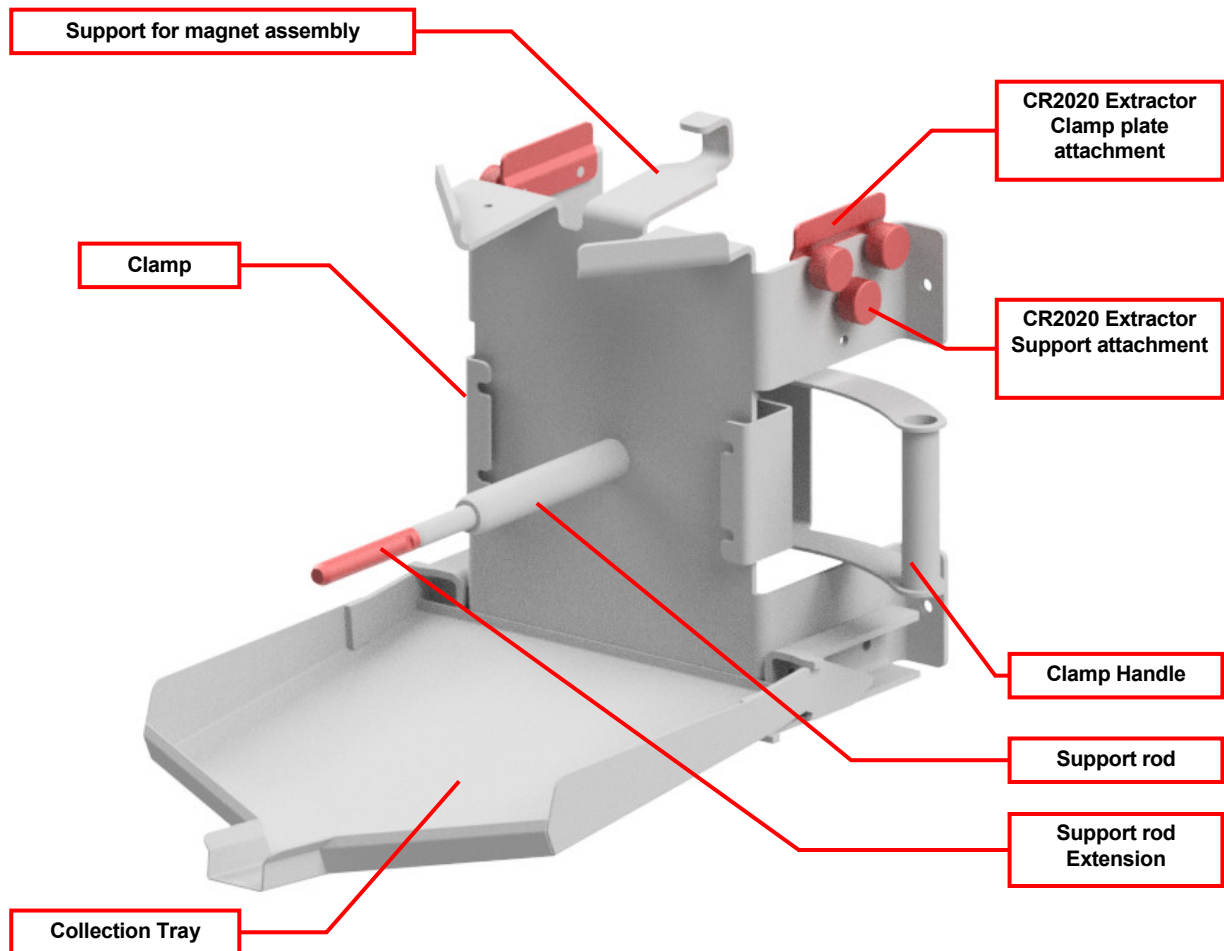
Ensure that all warning pictograms are legible. Replace if lost or damaged.



**General Protection**

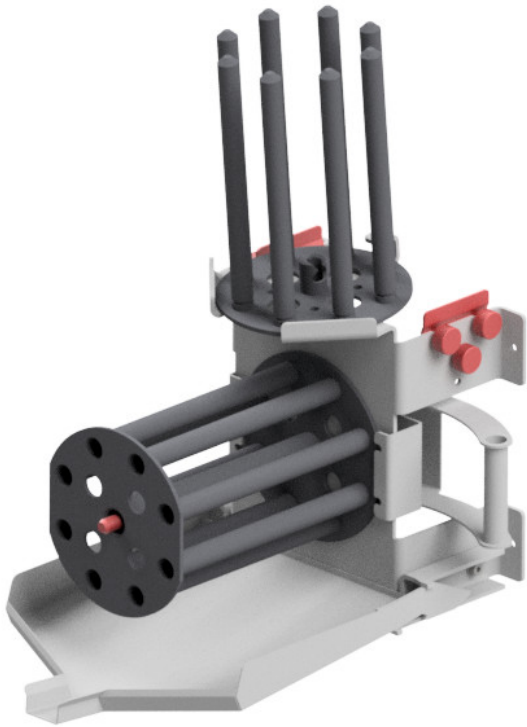
Wear all the personal safety equipment necessary for safe operation or maintenance. This may include; overalls, safety glasses, ear protection, helmet, safety shoes, etc.

---

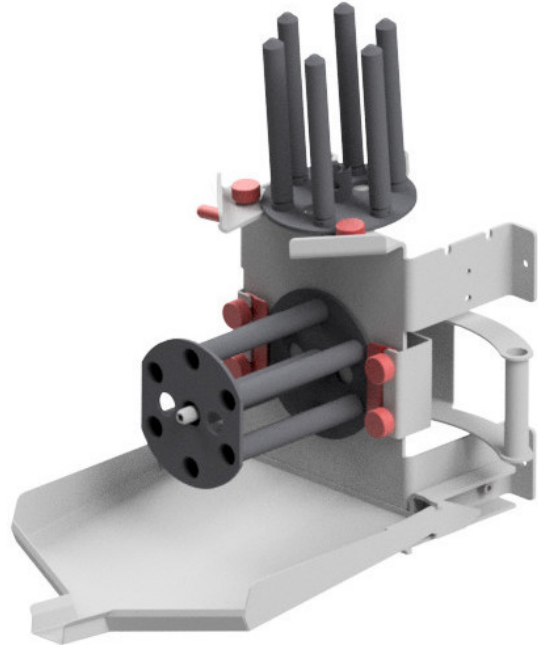
**Construction and Use**

1. The extractor cleaner is made up of a support rod, clamp and collection tray.
2. The extractor assembly is slid over the rod with the magnet rod back-plate facing outwards.
3. The clamp handle is then pulled forward. This creates a space between the clamped down extractor unit and the magnet assembly.
4. Simply pull the magnet assembly out of the extractor via the magnet rod back-plate and place it on the extractor support.
5. The ferromagnetic particles will fall into the collection tray, but a soft brush may also be used to clean any remaining debris.
6. Re-insert the magnet assembly into the extractor and release the clamp.
7. Re-insert the extractor assembly into your Rotating Cleanflow.
8. By tilting the collection tray, collect and dispose of the debris that has fallen in.

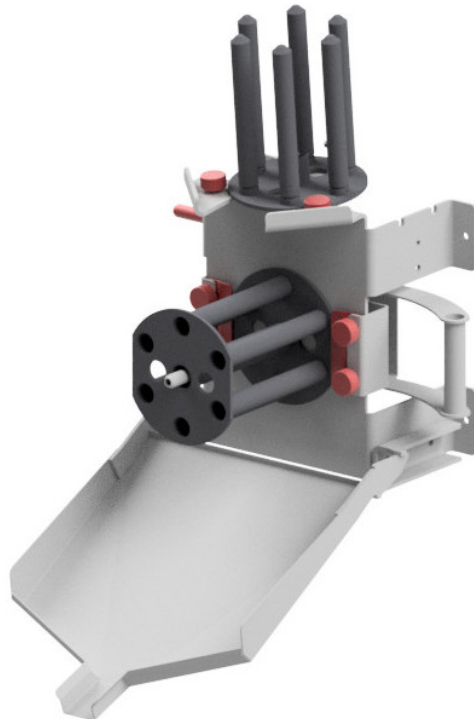
**Explanation Illustrations**



**Illustration 01**  
The Extractor Cleaner  
with **CR3030** extractor setup



**Illustration 02**  
The Extractor Cleaner  
with **CR2020** extractor setup

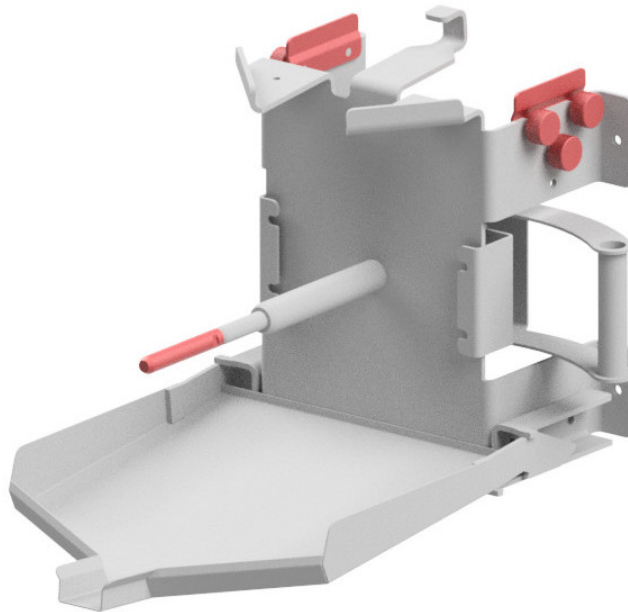


**Illustration 03**  
The Extractor cleaner with **CR2020** extractor setup and the collection tray tilted down.

---

**Changing the Extractor Cleaner Setup**

---



**Illustration 04**

For the **CR3030** Extractor, add the rod extension.

For the **CR2020** Extractor, add the two extractor support and clamp attachments.

Screw the unused attachments into the cleaner frame.