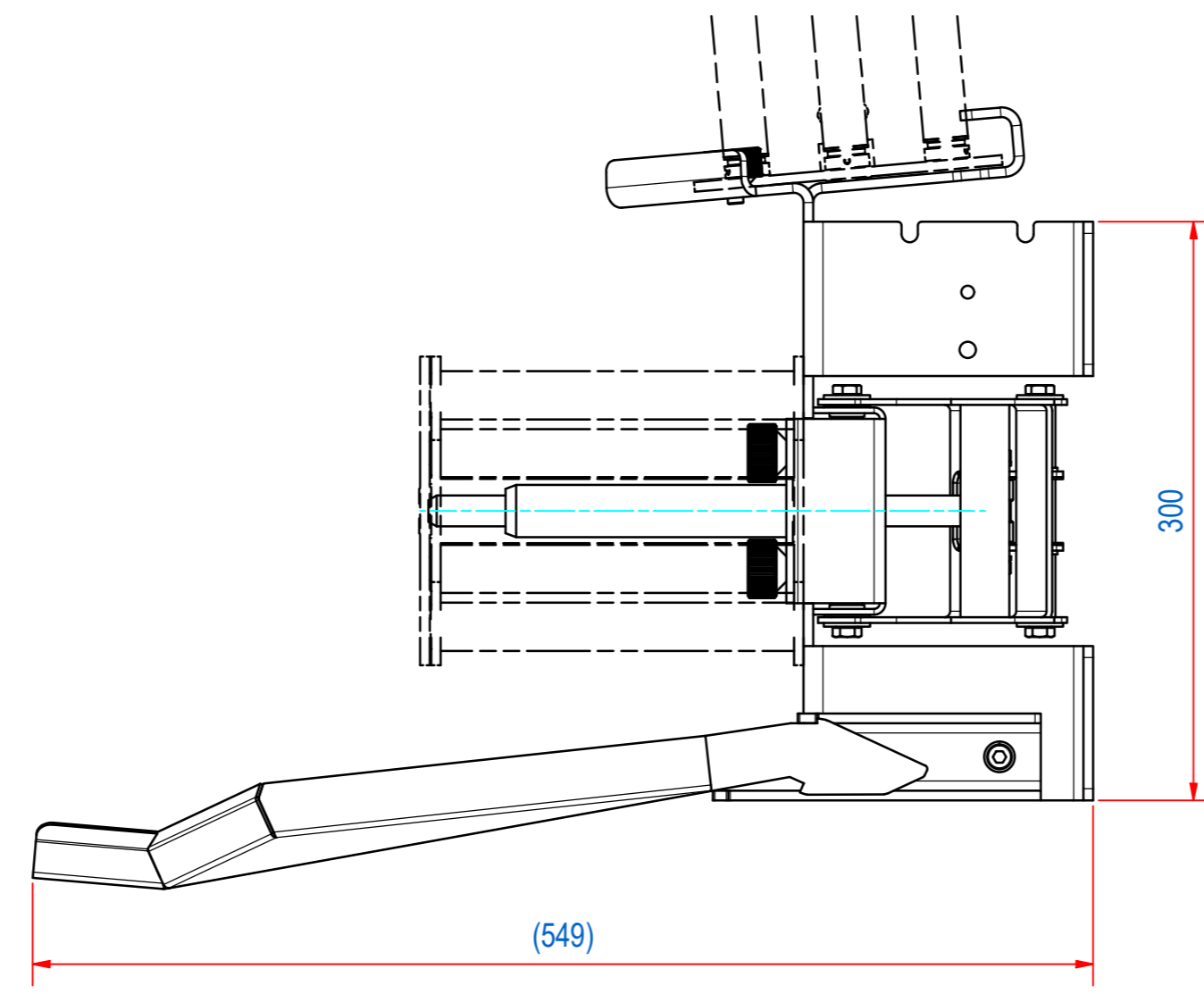
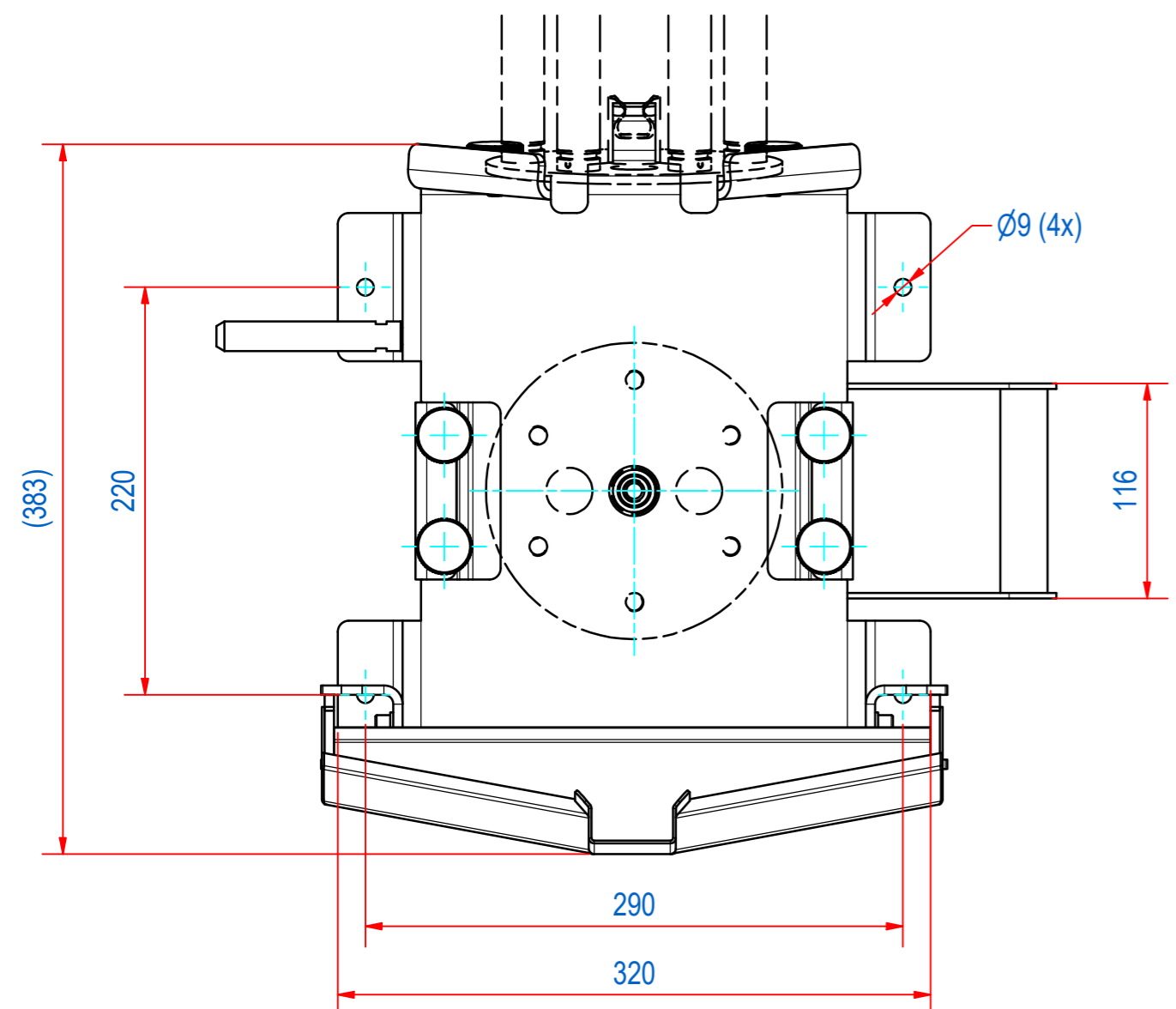
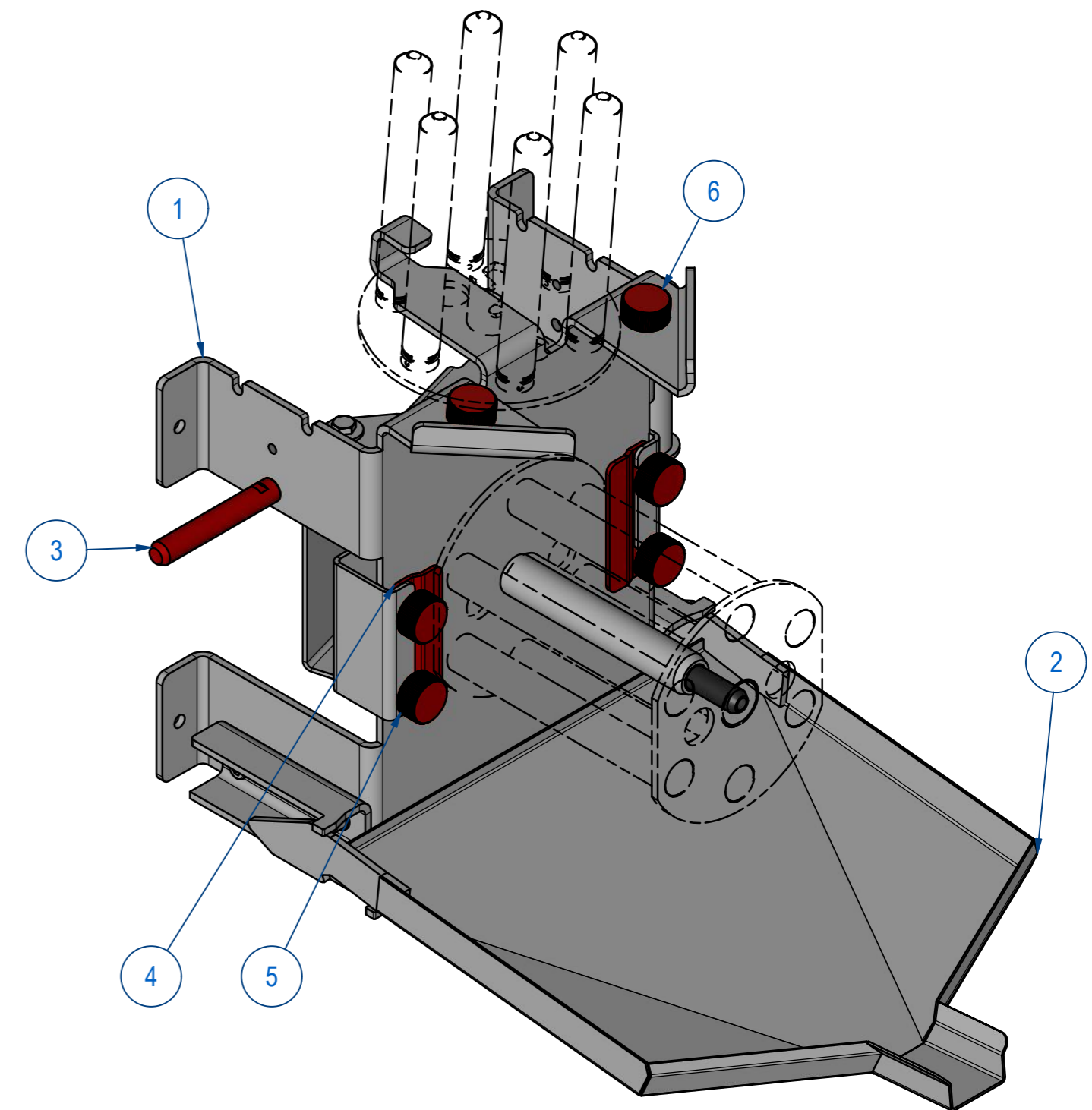
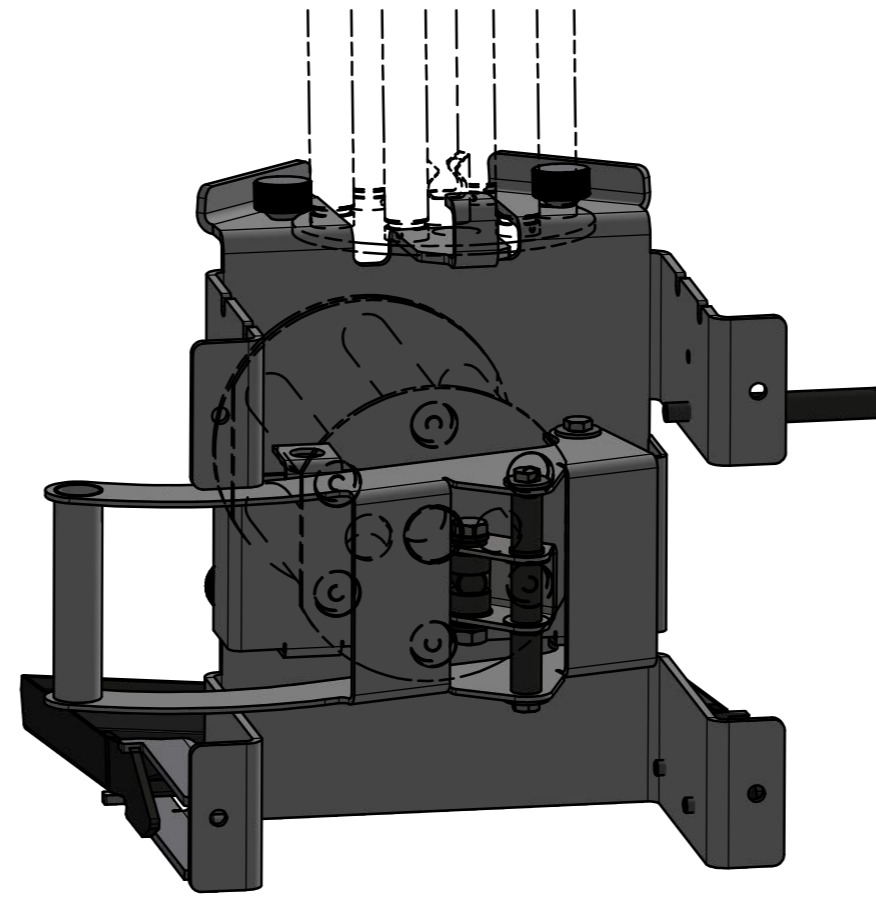
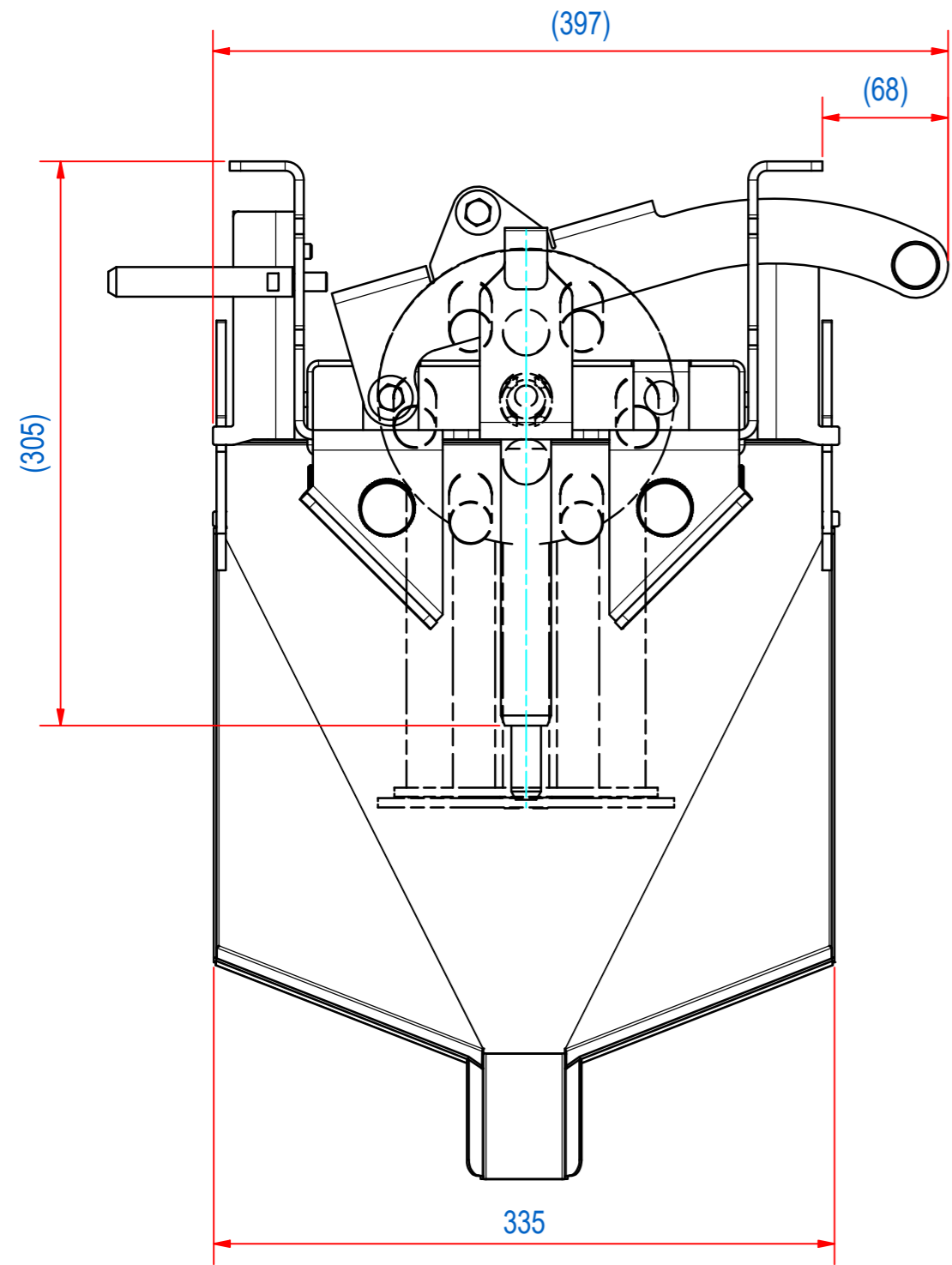


DOC.NR.	REV	DATE	BY	DESCRIPTION
E0106232	-	4-12-2018	AvD	REFERENCE DRAWING E0102869
E0106232	A	10-12-2019	AvD	BOM REDUCED BY UNDERLYING DRAWINGS



ITEM	QTY	PART NUMBER	DESCRIPTION	Dimensions
6	2	E0125375	KNOB KNURLED WITH TREADED ROD	
5	4	M37712	KNOB M8x12 316L KNURLED	
4	2	E0102926	CLEANER PLATE CR2020 WTHN M8	
3	1	E0102928	CLEANING AXLE CR3030	
2	1	E0058654	COLLECTOR EASY CLEAN 200	
1	1	E0125369	EXTRACTOR CLEANER BASE	

RAW MAT.	Quantity	Material Number	Material Description	Length (mm)	Width (mm)
⊕	1				
Sheet:	A2		Extra info:	General tolerance: ISO 2768- mK	
Drawn:	AvD		Weight (kg): 13,5	Drawn according: ISO268; ISO1101; ISO2553	
Date:	15-2-2018			Status: Standard	
Spare part:	False			Customer reference number:	
Quick search:	CR3030		 <small>© All rights reserved. Reproduction is not permitted without written permission of GOUDSMIT Magnetic Systems BV</small>	Document number:	Doc.Rev:
Description:	EXTR. CLEANER CR2020/3030 F5m			E0106232	A
				Part number:	Rev:
				E0106233	A

SUITABLE FOR MAGNETIC ROTORS OF MAGNETIC CLEANFLOWS CR3030 AND CR2020