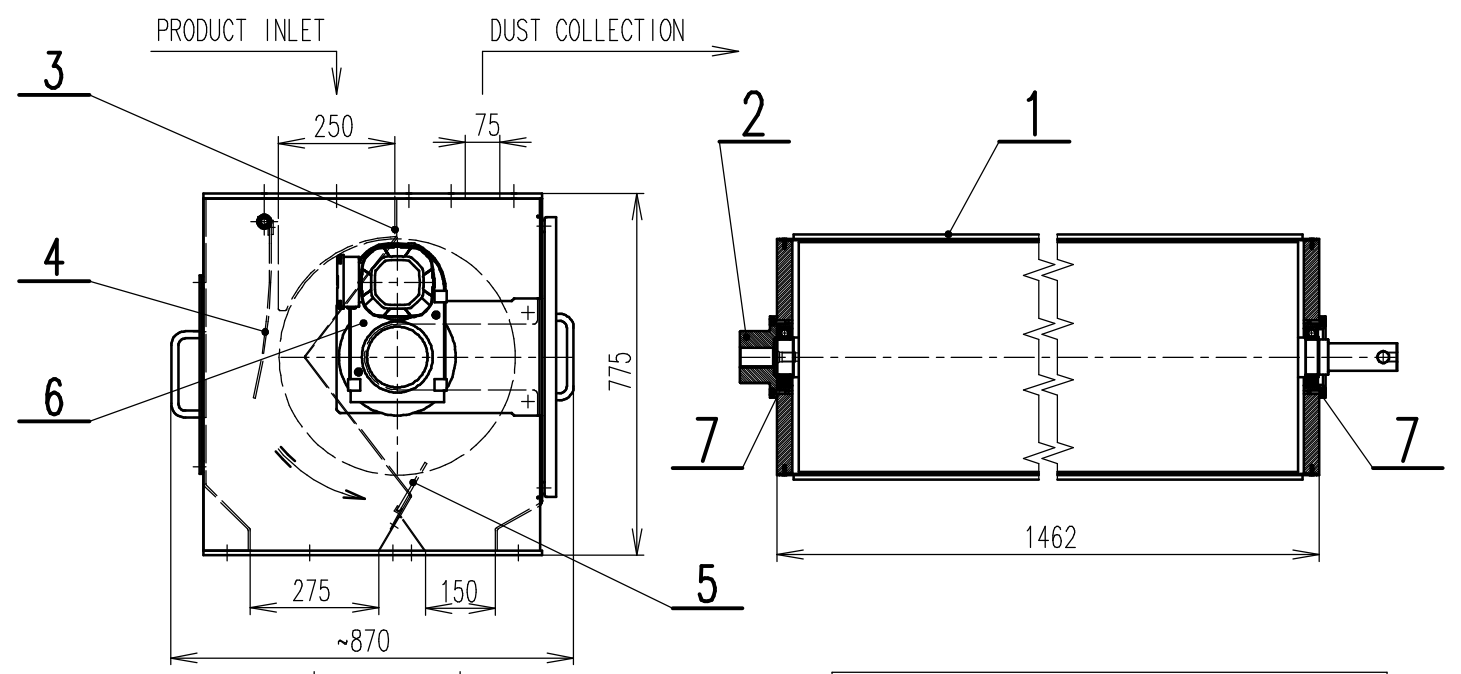
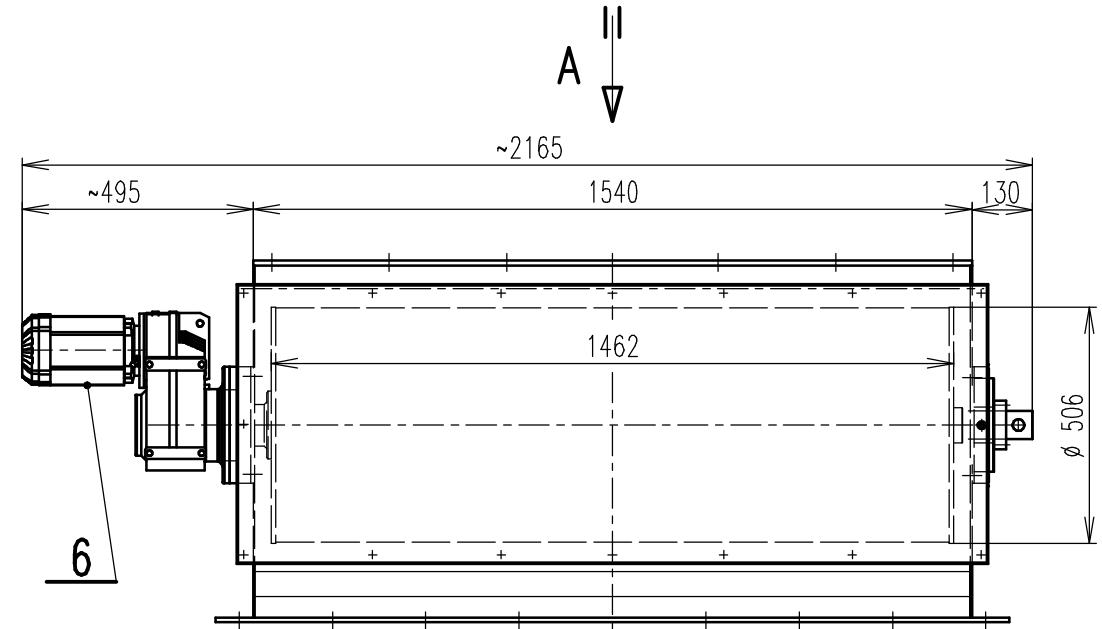
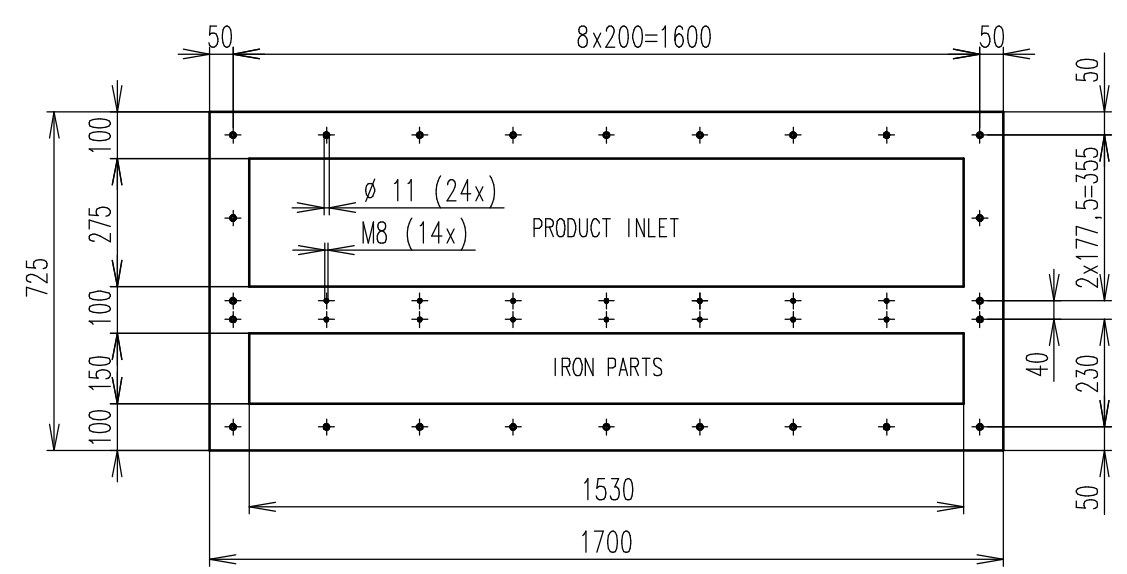
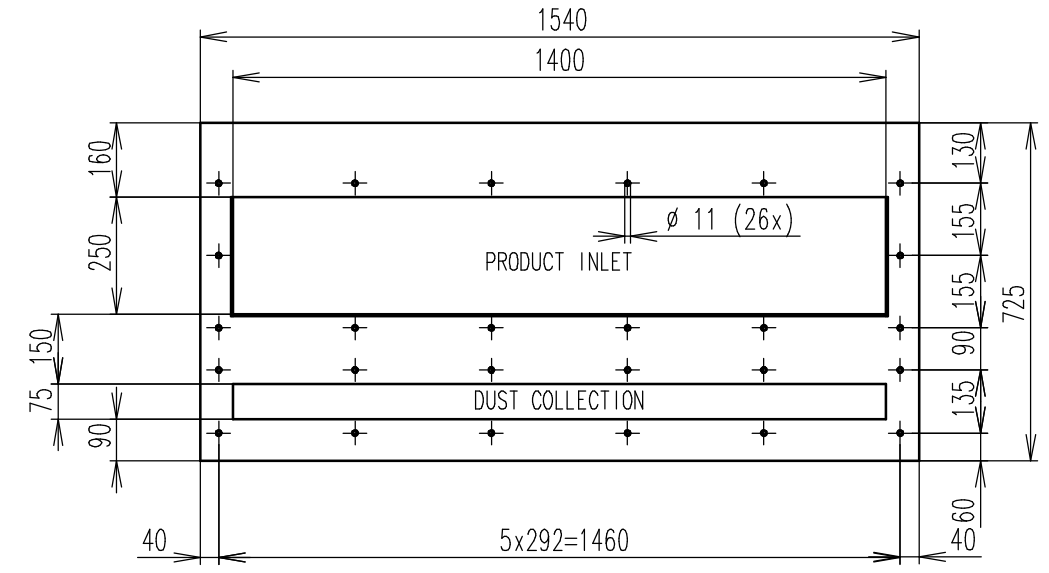


Revis. Name: LF	ORIGINAL DRAWING
A Date: 15.01.13	



GEARED BOX: SEW FF67DRE80M4, i=67,65 (20RPM),
 MOTOR 230/400V, 0,75kW, IP54
 DRUM SPEED: 33m/min
 CAPACITY: ±250 m3/Hr



TOP FLANGE - VIEW "A"

BOTTOM FLANGE - VIEW "A"

Position	Reference number	Specification	Size 1	Size 2	Material	Unit	Number	Mass
7	15_0406215	BEARING 6215-2RS					2	1.2
6	MH07502007	SEW FF67DRE80M4, i=67,65, P=0,75kW			SEW		1	50
5	C99_000002_B	BRUSH CLEANING STRIP FOR SRTK140054	1490				1	1.5
4	C99_050002	RUBBER FLAP FOR SRTK140054	1420	300			1	2.2
3	C99_010011	INLET RUBBER SLAT FOR SRTK140054	1400	80			1	0.35
2	723_020002	DRIVE SHAFT SRTK160054w	89		11523		1	6.55
1	D01_020000	SHELL SRTM140054					1	56.3

General Tolerances (not tol. measures) ISO 2768 -	General Tolerances on weld length 0/20%	Drawing rules acc. ISO 286 ISO 1101 ISO 1302 ISO 2553	
Drawn: LF	Scale: 1:15	Order:	Quant:
Date: 15.01.2013	Status:	Partorder:	
Title: SPARE PARTS FOR SRTK140054w VALID FOR SRTK140054w_B (ASSEMBLY C99_000000_B)			
GOUDSMIT Magnetic systems		Number: SRTK140054w_SP A	Rev: