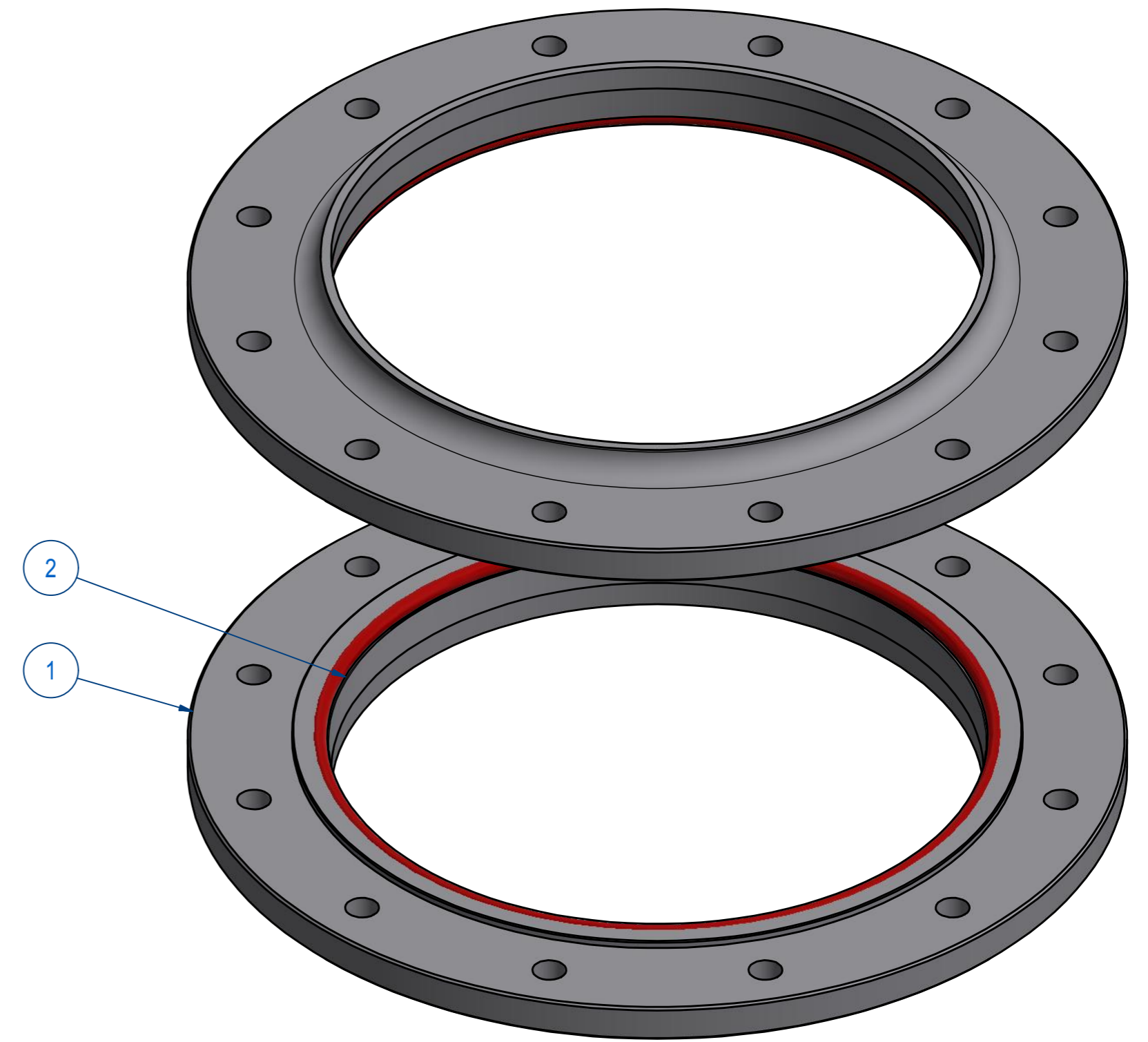
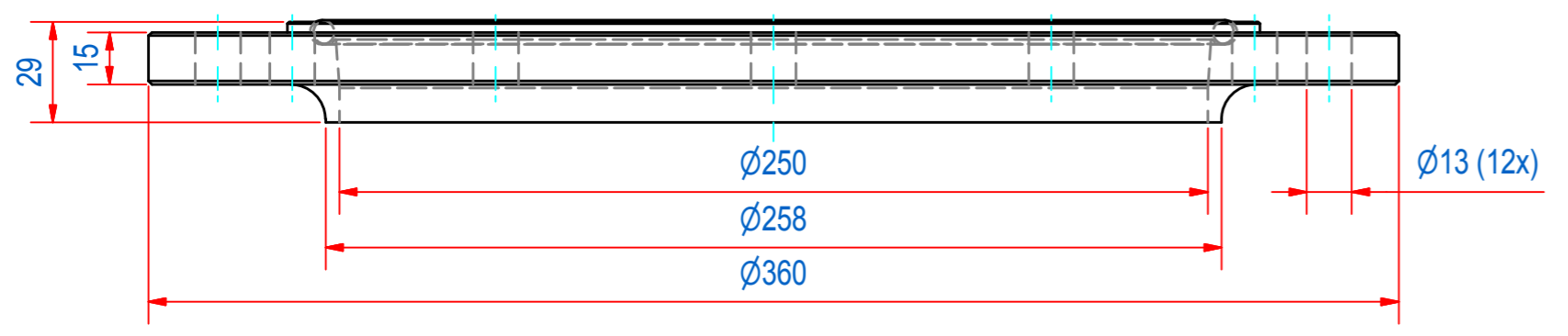
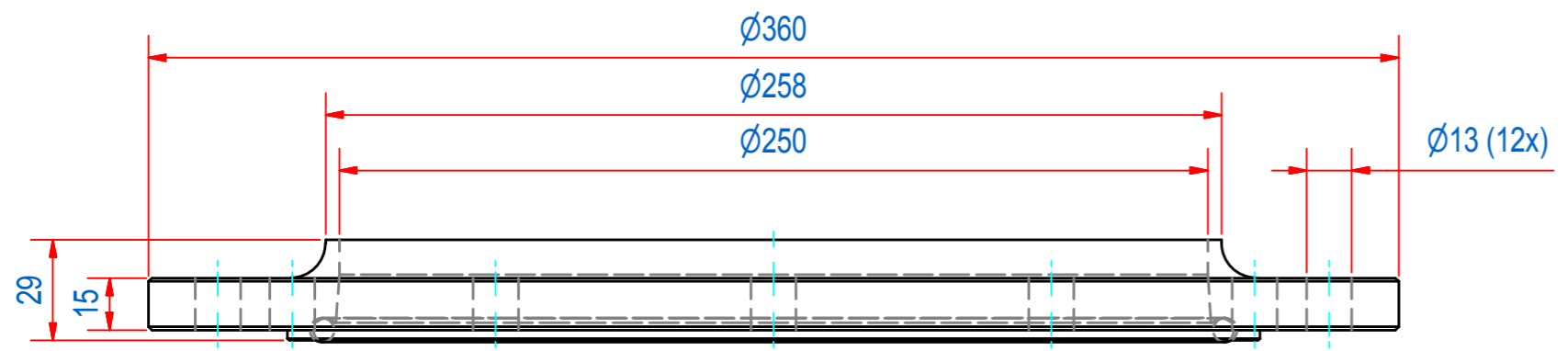
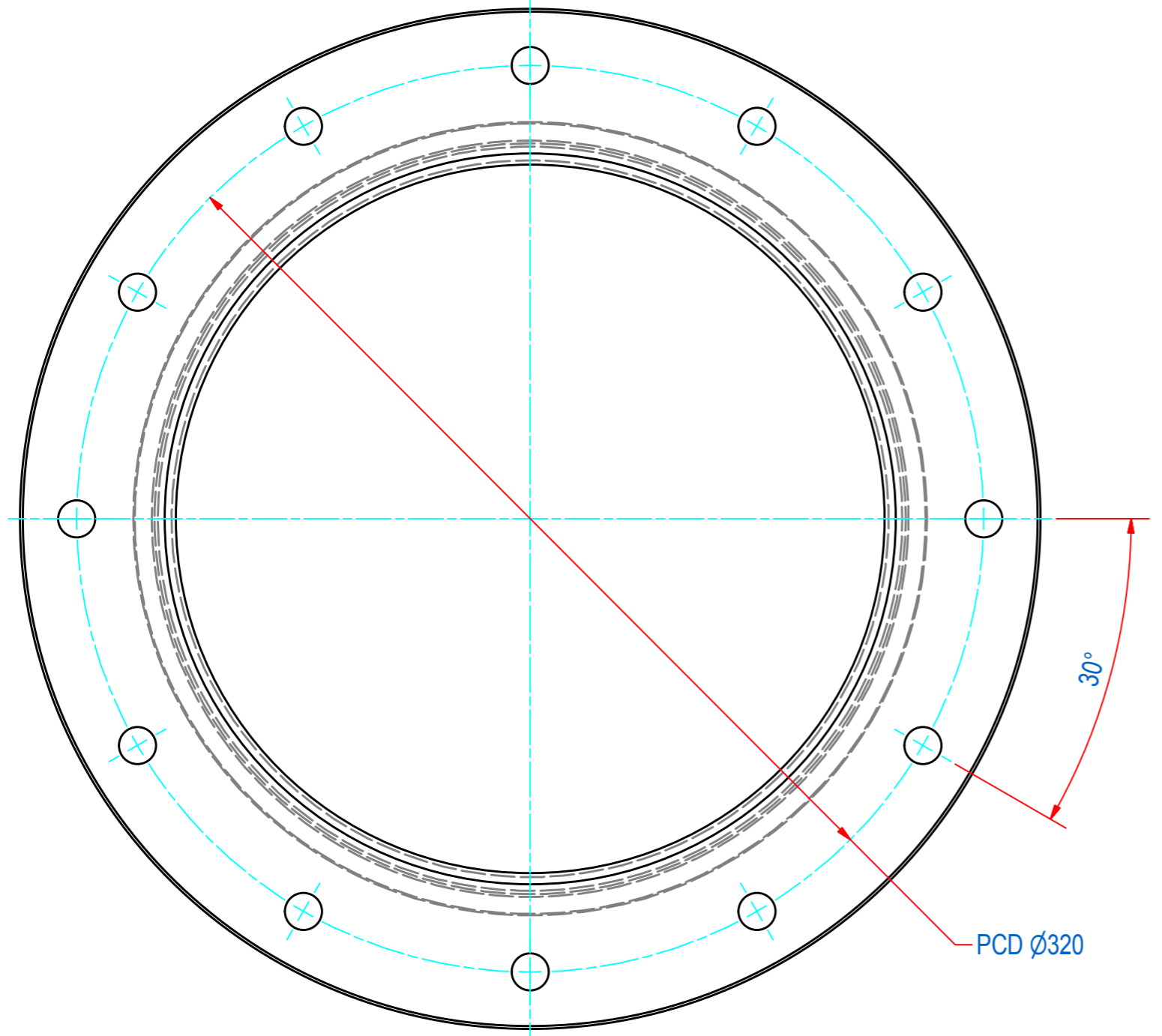


3	2	1	DESCRIPTION	
DOC.NR.	REV	DATE	BY	DESCRIPTION
E0104044	-	25-10-2018	CR	ORIGINAL DRAWING



2	2	78.1253700	O-RING 253.37 x 6,99 EC1935	
1	2	E0015405	EHEDG FLANGE $\varnothing 250$ A	
ITEM	QTY	PART NUMBER	DESCRIPTION	Dimensions
RAW MAT.	1			
	Quantity	Material Number	Material Description	Length (mm) Width (mm)
	Sheet: A2	Extra info:	General tolerance: ISO 2768 - mK	
Drawn: CR	Weight (kg): 13,2		Drawn according: ISO268; ISO1101; ISO2553	
Date: 24-10-2018			Status: Standard	
Spare part: False	Source:			Customer reference number:
Quick search:				Document number: E0104044
Description: SET HYDROFORM CONTRA FLANGES/O-RINGS		Part number: E0103986		Rev: -