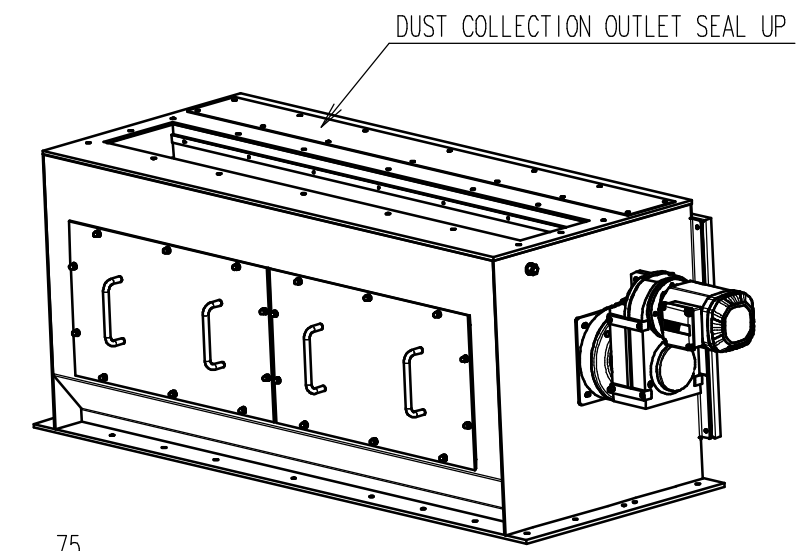
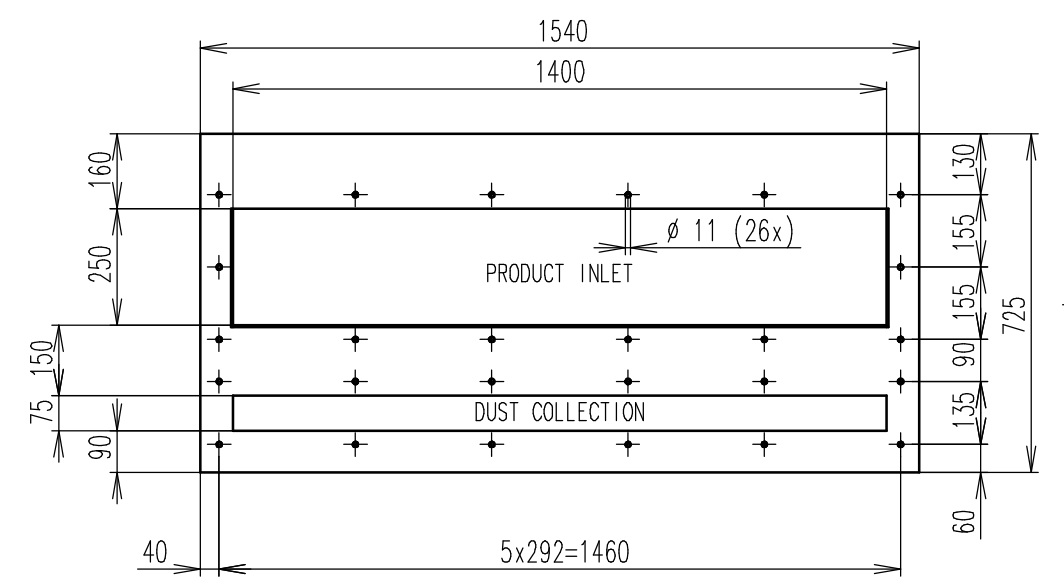
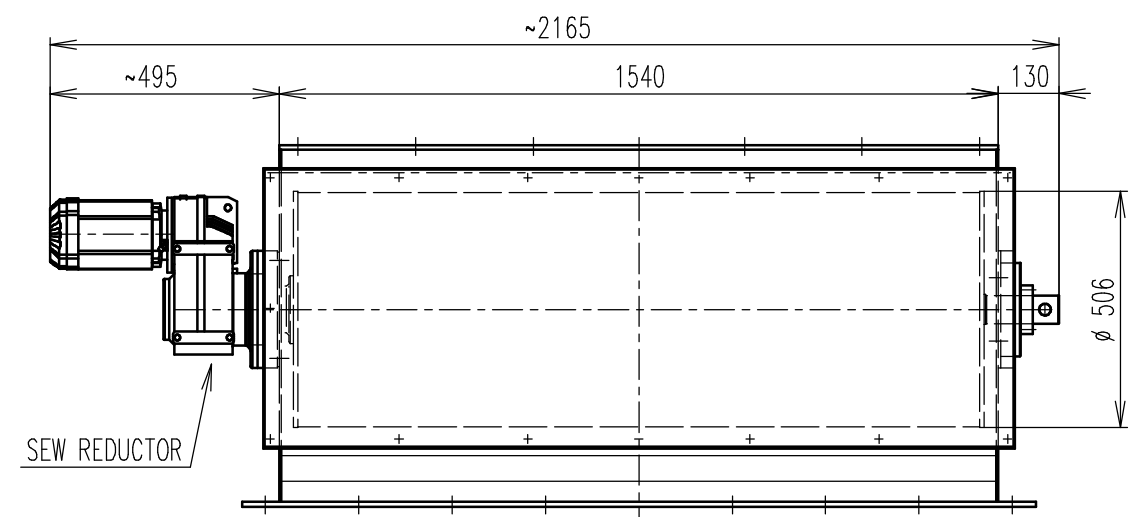
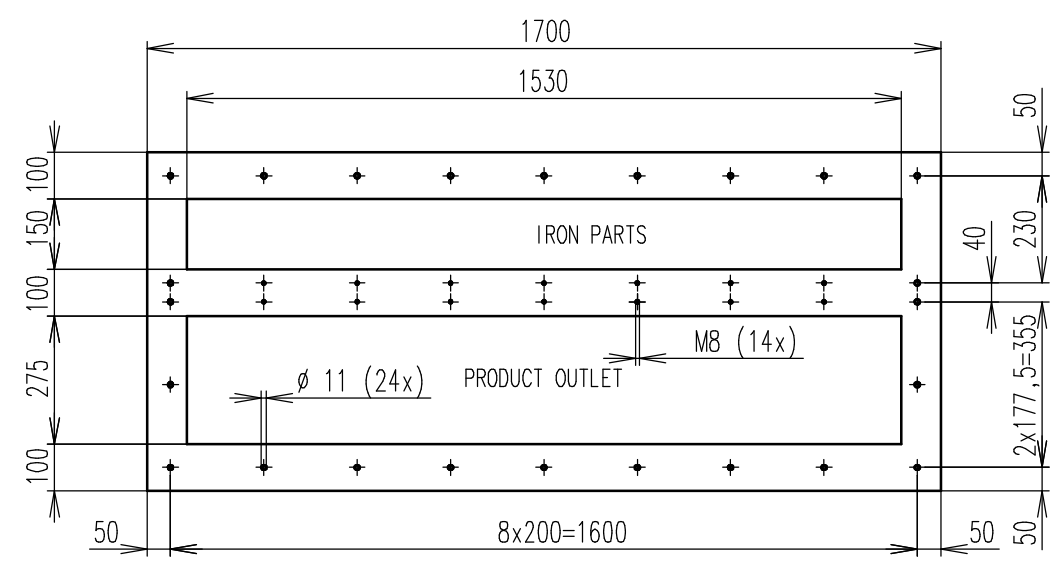


Revis.	Name: JKA	REF.G.: SRTK140054_C
A	Date: 09.11.06	SOURCE: SRTK160054w(723_000000_D)
Revis.	Name: LF	DRIVE FF67DRE80M4 (WAS FF67DT80N4)
B	Date: 06.09.12	



BOTTOM FLANGE

CROSS POLE MAGNET SYSTEM
(ANGLE ADJUSTABLE)

ADJUSTABLE RUBBER SLAT

INSPECTION HATCH

SERVICE HATCH

PILE WEATHER STRIP

GEARED BOX: SEW FF67DRE80M4, i=67,65 (20RPM),
MOTOR 230/400V, 0,75kW, IP54
DRUM SPEED: 33m/min
CAPACITY: ±250 m3/Hr

Reference WAMAG: C99_000000_B

General Tolerances (not tol. measures) ISO 2768 - cL	General Tolerances on weld length 0/20%	Drawing rules acc. ISO 286 ISO 1101 ISO 1302 ISO 2553	
Drawn: LF	Scale: 1:15	Order:	Quant:
Date: 06.09.2012	Status:	Partorder:	
Title: DRUM MAGNET IN HOUSING 1400 DRUM DIA 500, LENGTH 1400, CROSS POLE WITH FLUX TOTAL WEIGHT 940 kg			
GOUDSMIT Magnetic systems		Number: SRTK140054w	Rev: B